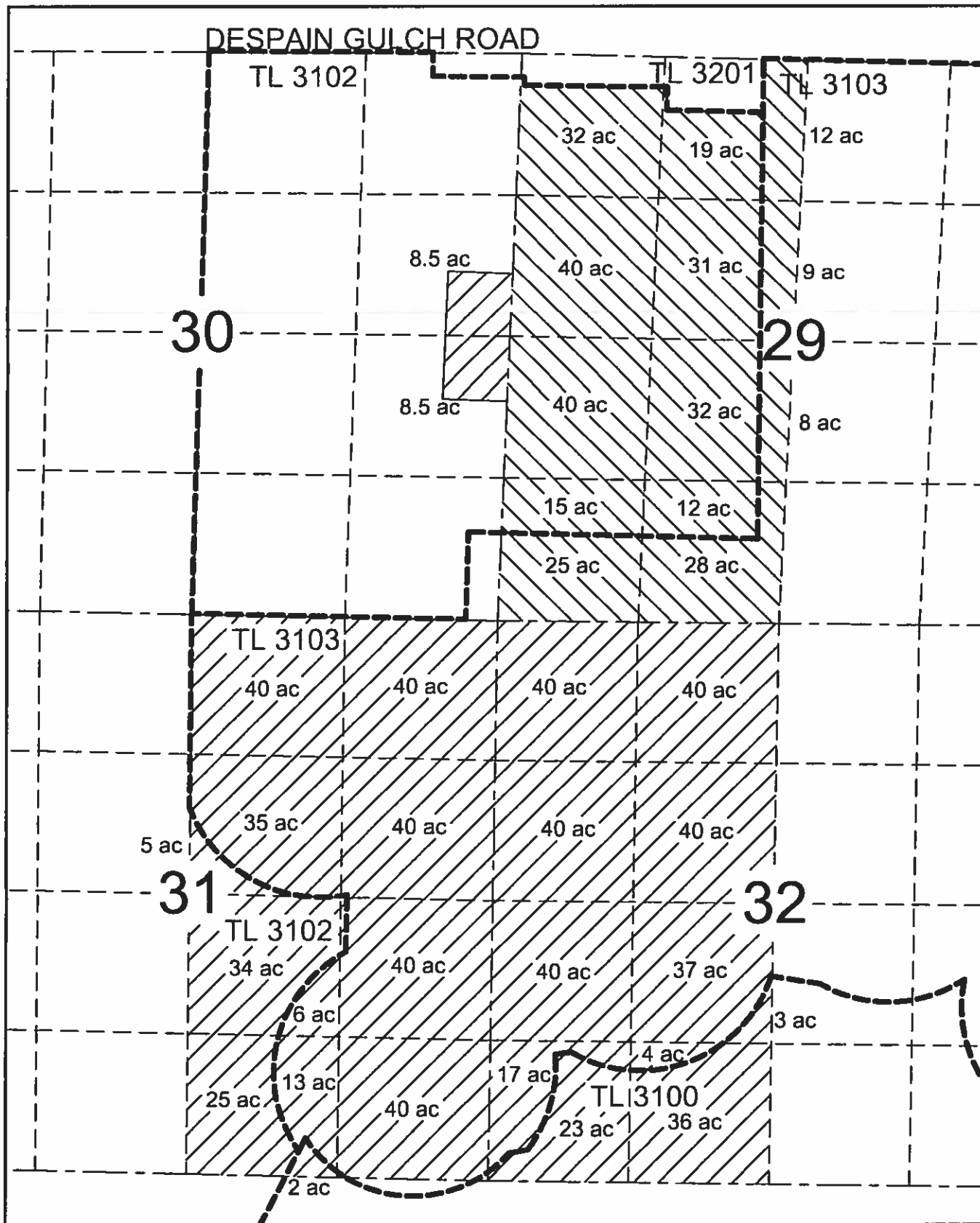
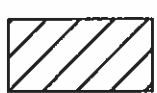


**Township 4 North, Range 30 East, W.M.
SECTIONS 29, 30, 31, & 32
UMATILLA COUNTY**

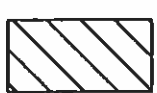


SCALE
1" = 1320'

KEY



PROPOSED PLACE OF USE FOR PRIMARY IRRIGATION FROM THE COLUMBIA RIVER: 657 AC OF 960 AC TOTAL - UNCHANGED



PROPOSED PLACE OF USE FOR PRIMARY IRRIGATION FROM THE COLUMBIA RIVER: 303 AC OF 960 AC TOTAL - REVISED

* PORTIONS OF THESE LANDS ARE CURRENTLY UNDER TEMPORARY TRANSFER T-11616.

----- TAX LOTS

PRIMARY IRRIGATION

- 122 AC NW 1/4 & 99 AC SW 1/4
T.4N, R.30E, SECTION 29 (TL 3102)
- 21 AC NW 1/4 & 61 AC SW 1/4
T.4N, R.30E, SECTION 29 (TL 3103)
- 8.5 AC NE 1/4 & 8.5 AC SE 1/4
T.4N, R.30E, SECTION 30 (TL 3102)
- 155 AC NE 1/4 & 99 AC SE 1/4
T.4N, R.30E, SECTION 31 (TL 3103)
- 5 AC NE 1/4 & 59 AC SE 1/4
T.4N, R.30E, SECTION 31 (TL 3102)
- 2 AC SE 1/4
T.4N, R.30E, SECTION 31 (TL 3100)
- 160 AC NW 1/4 & 98 AC SW 1/4
T.4N, R.30E, SECTION 32 (TL 3103)
- 62 AC SW 1/4
T.4N, R.30E, SECTION 32 (TL 3100)

REVISED MAP

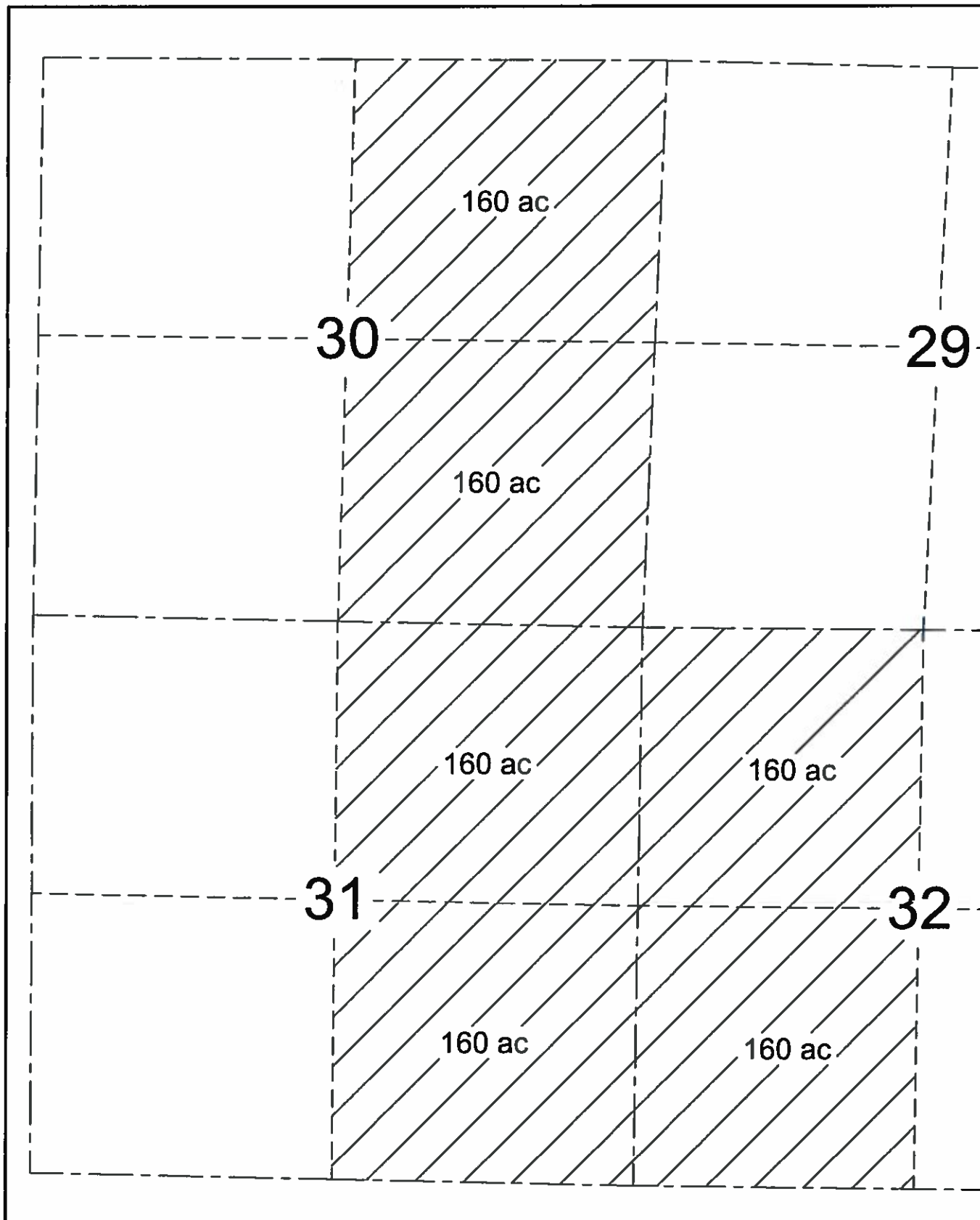
RECEIVED BY OWRD

SEP 21 2017

T 12751

SALEM, OR

Township 4 North, Range 30 East, W.M.
 SECTIONS 29, 30, 31, & 32
 UMATILLA COUNTY



SCALE
 1" = 1320'

KEY



PROPOSED PLACE OF USE FOR
 PRIMARY IRRIGATION FROM THE
 COLUMBIA RIVER TOTAL: 960 AC

* PORTIONS OF THESE LANDS ARE
 CURRENTLY UNDER TEMPORARY
 TRANSFERS 9899 & 9643.

PRIMARY IRRIGATION

160.0 AC NE 1/4
 160.0 AC SE 1/4
 T.4N, R.30E, SECTION 30 (TL 3200)

160.0 AC NE 1/4
 160.0 AC SE 1/4
 T.4N, R.30E, SECTION 31 (TL 3200)

160.0 AC NW 1/4
 160.0 AC SW 1/4
 T.4N, R.30E, SECTION 32 (TL 3200)

RECEIVED BY OWRD

SEP 21 2017

SALEM, OR

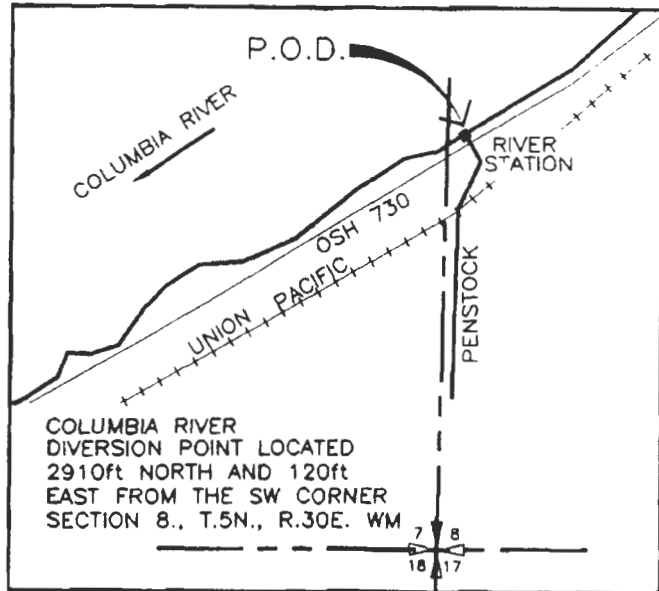
ORIGINAL MAP

(RECEIVED NOV. 17 2006)

12751

Pod Location : 2910' North & 120' East
from the SW Corner
Sec. 8., T. 5N., R. 30E. WM.

Attachment "B"
Columbia River Pod
to Serve all 3249.4 acres

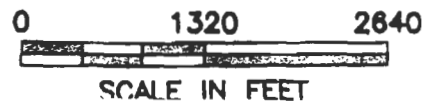


RECEIVED
NOV 17 2006
WATER RESOURCES DEPT
SALEM, OREGON

RECEIVED BY OWRD

SEP 21 2017

SALEM, OR



T 12751

APP NO S-86717 Permit no S-54385