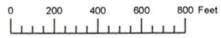


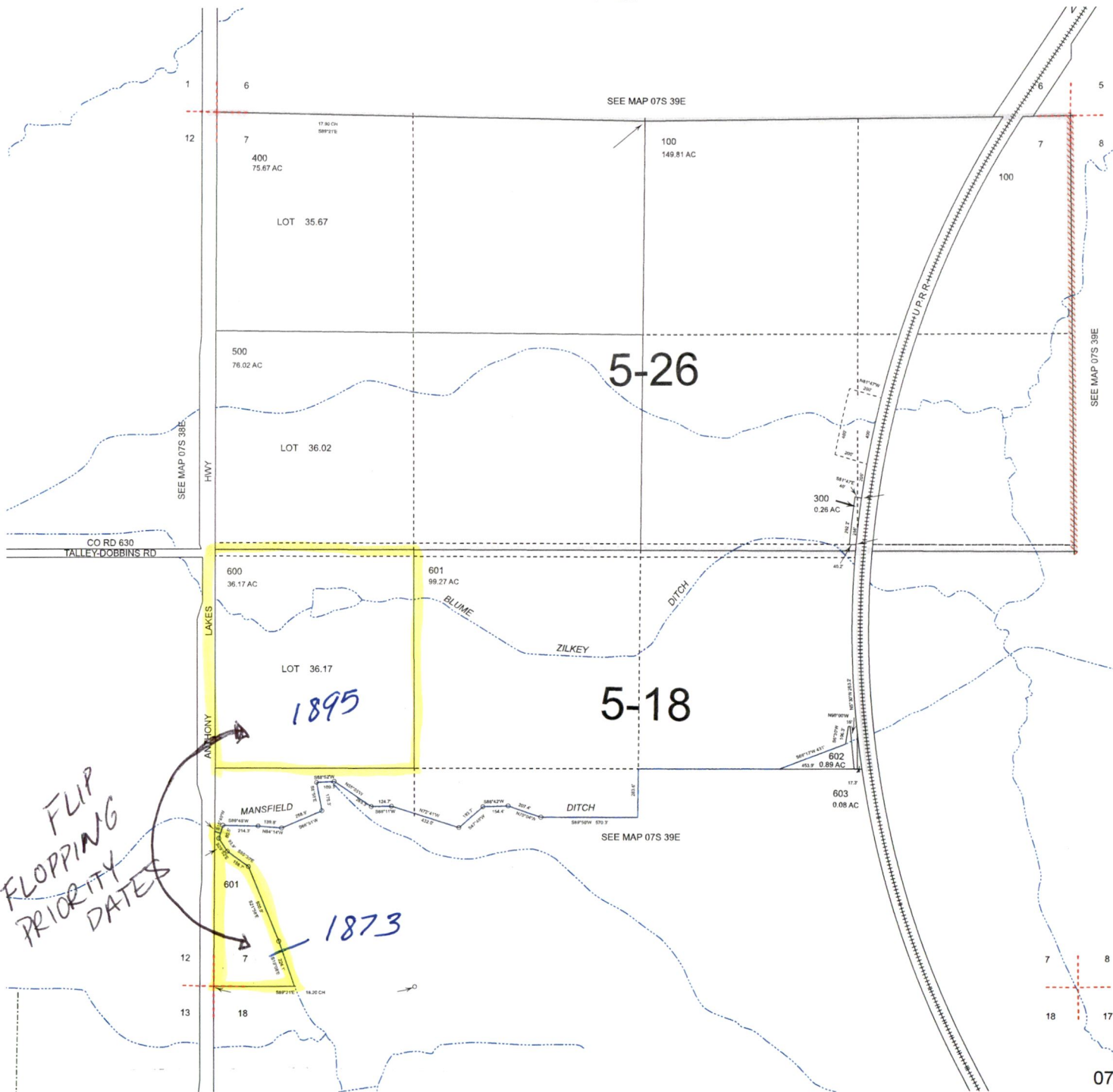
THIS MAP WAS PREPARED FOR ASSESSMENT PURPOSE ONLY



SECTION 7 T.7S. R.39E. W.M.
BAKER COUNTY
1" = 400'

07S39E07

Cancelled
101
200
700
800



FLIP FLOPPING PRIORITY DATES

RECEIVED
JAN 23 2019
OWRD

Revised: CS
05/01/2001

07S39E07

13111



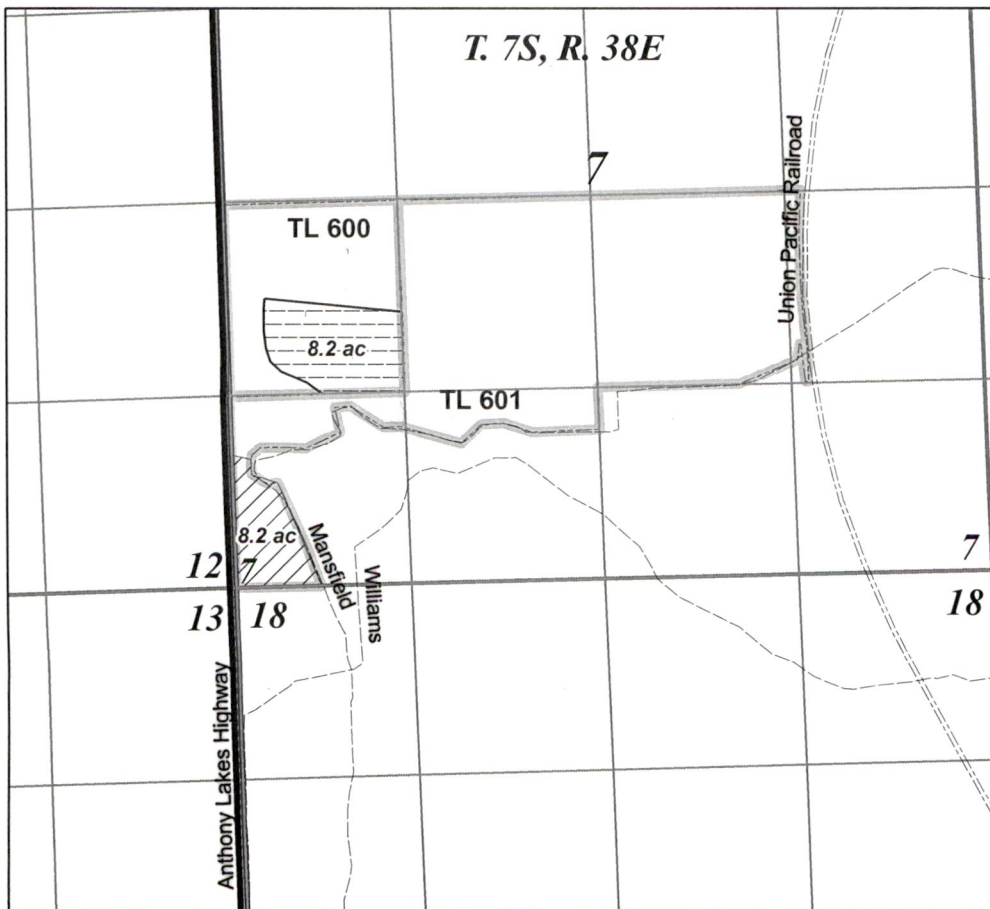
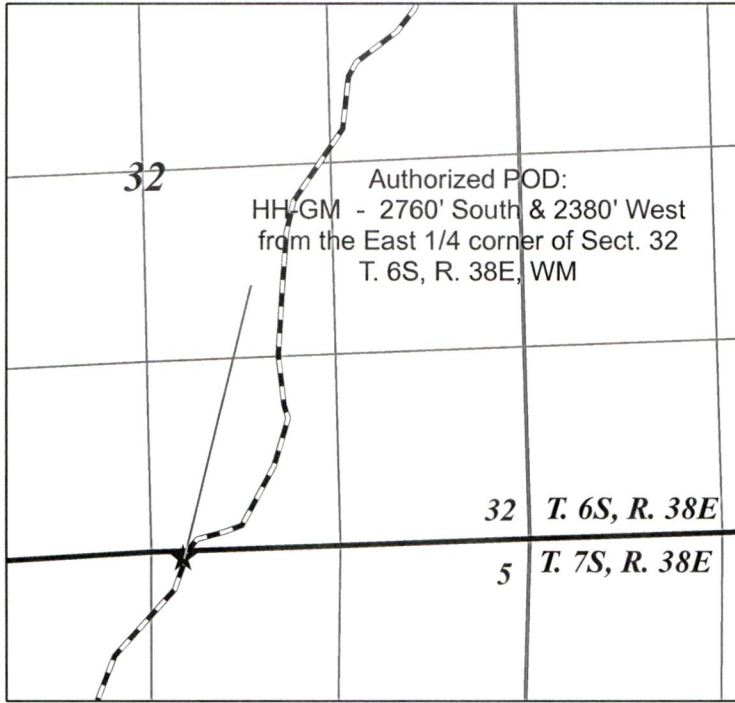
**Map to Accompany a
Place of Use Change
for
Sexton Land LLC**

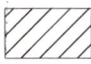



Scale: 1" = 1320'

RECEIVED

JAN 23 2019

OWRD

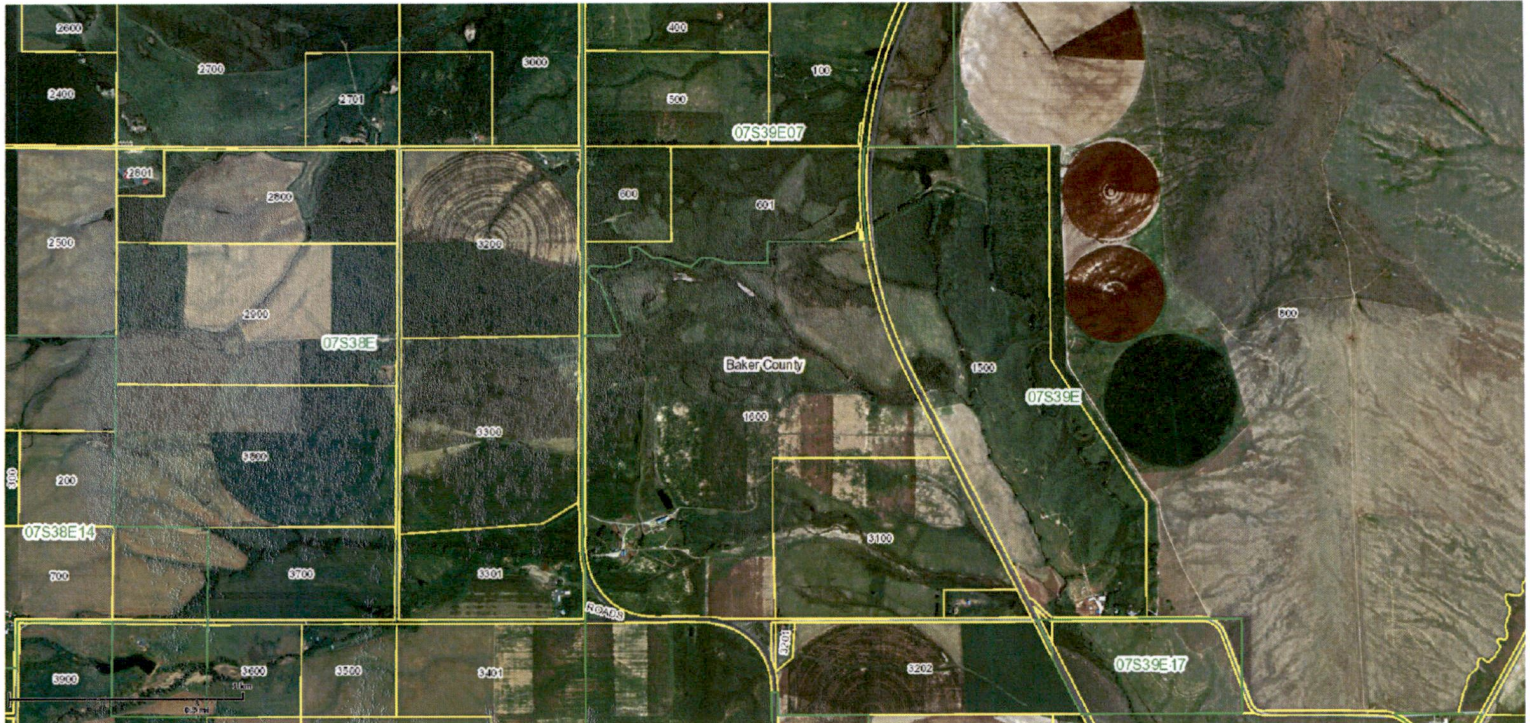


-  C-83738
"FROM" - 1873 8.2 ac
"TO" - 1895 8.2 ac
-  C-83738
"FROM" - 1895 8.2 ac
"TO" - 1873 8.2 ac
-  Taxlots
-  Authorized POD

13111

The Oregon Map

New Directions



Copyright 2011 ORMAP. All rights reserved. Wed Dec 12 2018 09:25:25 AM.

RECEIVED
JAN 23 2019
OWRD

Sexton Property

2015

JAN 23 2019

Legend

13111

📍 47307 Anthony Lakes Hwy

📍 47307 Anthony Lakes Hwy

Talley-Dobbins-Ln

Anthony Lakes Hwy

Welch-Rd

Google Earth

© 2018 Google



4000 ft

Sexton Property

2013

RECEIVED
JAN 23 2019

Legend

13111

📍 47307 Anthony Lakes Hwy

📍 47307 Anthony Lakes Hwy

Talley-Dobbins Ln

Anthony Lakes Hwy

Welch Rd

Google Earth



4000 ft