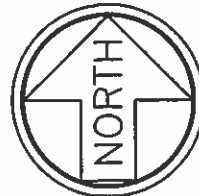
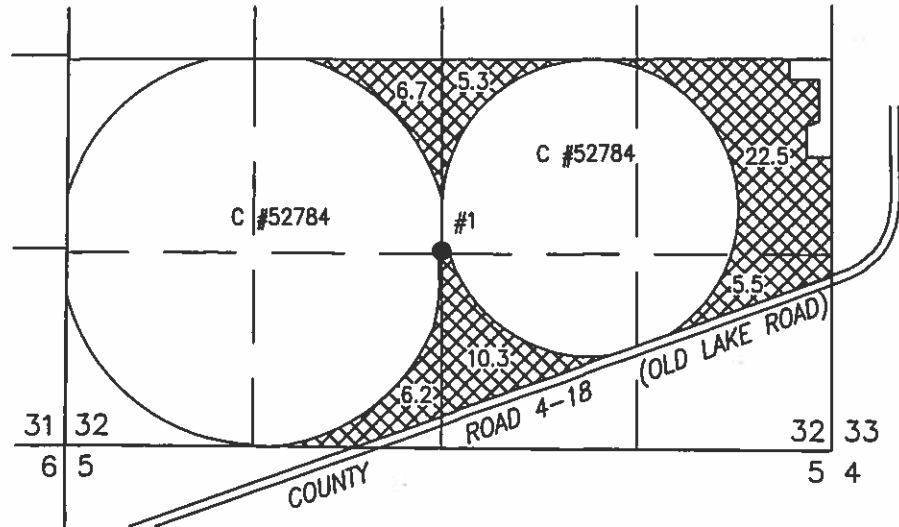



TRANSFER MAP TO ACCOMPANY APPLICATION
TO CHANGE PLACE OF USE & ADD POINTS
OF APPROPRIATION FOR
CHURCH FAMILY FARMS, INC.

FROM TAX LOT 1300 IN SECTION 32,
TOWNSHIP 27 SOUTH, RANGE 17 EAST, W.M.
LAKE COUNTY, OREGON

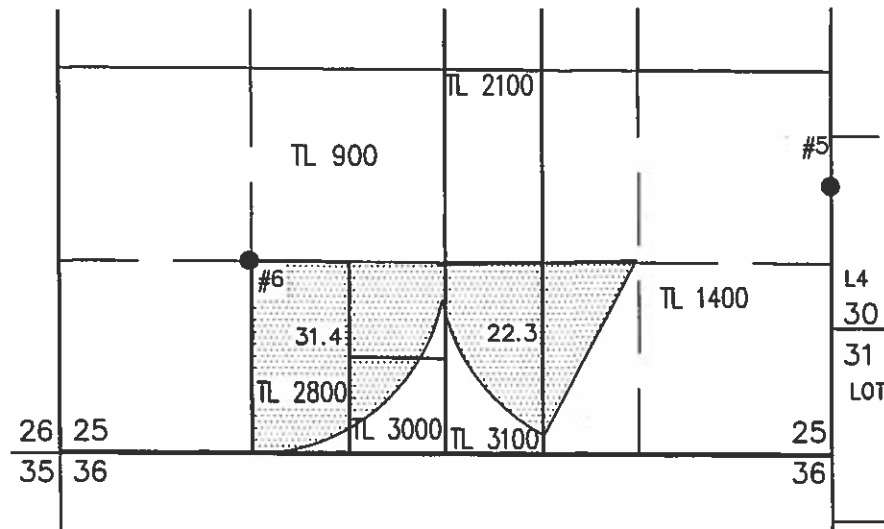


SCALE 4" = 1 MILE


 56.5 ACRES PRIMARY GROUND WATER RIGHTS FROM CERTIFICATE #52784 (G-8199) TRANSFERRED "FROM" AS SHOWN.

● WELL #1 (LAKE 1077) IN THE NE 1/4 SW 1/4 SECTION 32, T27S R17E, W.M. LOCATED 1320 FEET NORTH AND 2640 FEET EAST FROM THE SW CORNER OF SECTION 32.

TO TAX LOTS 900, 1400, 2100, 2800, 3000, & 3100 IN SECTION 25,
TOWNSHIP 27 SOUTH, RANGE 16 EAST, W.M.
LAKE COUNTY, OREGON

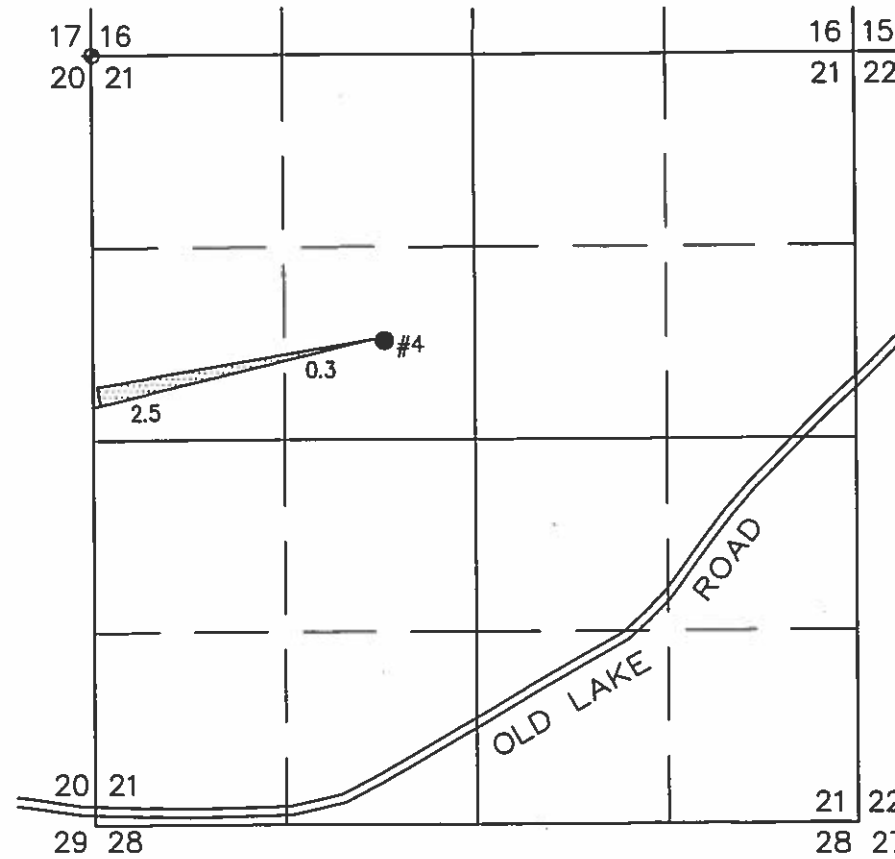



● WELL #6 (LAKE 50469-G8100) IN THE SW 1/4 SW 1/4 SECTION 25, T27S R16E, W.M. LOCATED 1315 FEET NORTH AND 1315 FEET EAST FROM THE SW CORNER OF SECTION 25.

 53.7 ACRES PRIMARY GROUND WATER RIGHTS FROM CERTIFICATE #52784 (G-8199) TRANSFERRED "TO" AS SHOWN.

● WELL #5 (LAKE 51631-G8199) IN THE NE 1/4 SE 1/4 SECTION 25, T27S R16E, W.M. LOCATED 800 FEET SOUTH AND 10 FEET WEST FROM THE E 1/4 CORNER OF SECTION 25.

TO TAX LOT 100 IN SECTION 21,
TOWNSHIP 28 SOUTH, RANGE 16 EAST, W.M.
LAKE COUNTY, OREGON

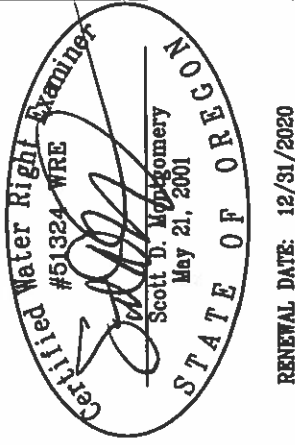


 2.8 ACRES PRIMARY GROUND WATER RIGHTS FROM CERTIFICATE #52784 (G-8199) TRANSFERRED "TO" AS SHOWN.

● WELL #4 (LAKE 1411-G8199) IN THE SE 1/4 NW 1/4 SECTION 21, T28S R16E, W.M. LOCATED 1990 FEET SOUTH AND 3280 FEET WEST FROM THE NE CORNER OF SECTION 21.

RECEIVED
FEB 11 2019
OWRD

THIS MAP IS FOR THE PURPOSE OF LOCATING A WATER RIGHT ONLY AND HAS NO INTENT TO PROVIDE LEGAL DIMENSIONS OR THE LOCATION OF PROPERTY LINES.



RENEWAL DATE: 12/31/2020

ALL POINTS ENGINEERING
& SURVEYING, INC.

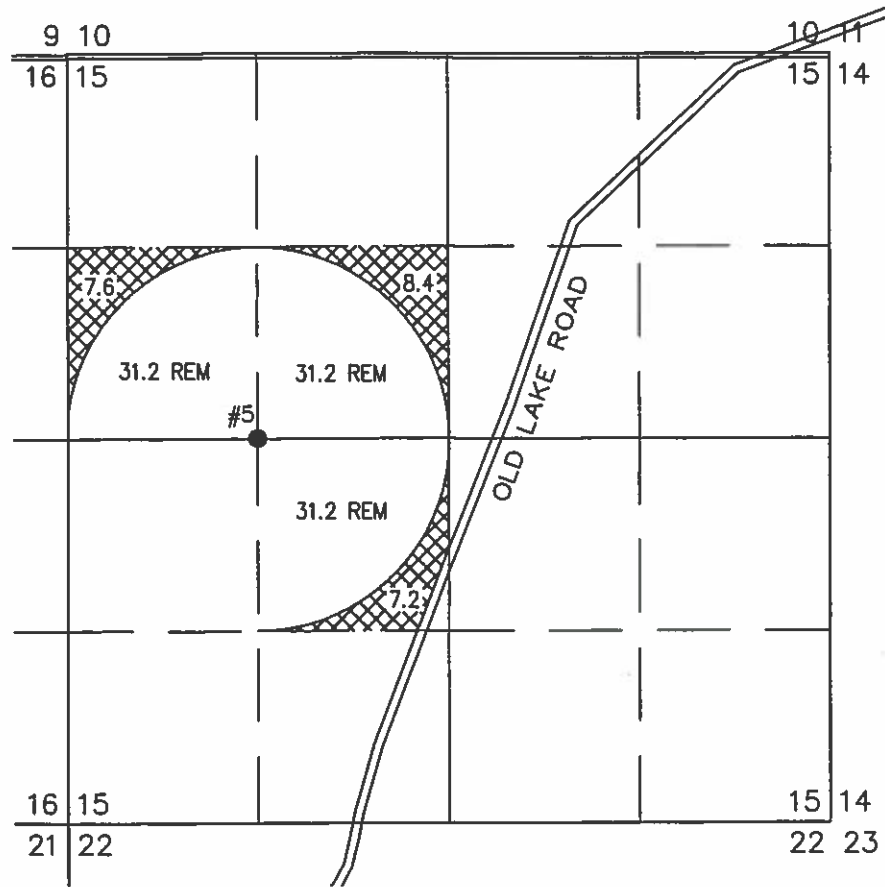
P.O. BOX 767
TERREBONNE, OREGON 97760
(541) 548-5833 PH
(844) 273-9878 FX
www.APEandS.com

PROJECT No. 18-050

PREPARED AT THE REQUEST OF:
CHURCH FAMILY FARMS, INC.
P.O. BOX 751
CHRISTMAS VALLEY, OR 97641

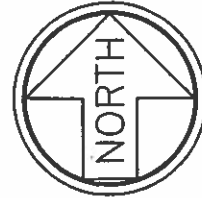
TRANSFER MAP TO ACCOMPANY APPLICATION
TO CHANGE PLACE OF USE & ADD POINTS
OF APPROPRIATION FOR
CHURCH FAMILY FARMS, INC.

FROM TAX LOTS 400 & 800
IN SECTION 15, TOWNSHIP 28 SOUTH, RANGE 16 EAST, W.M.
LAKE COUNTY, OREGON



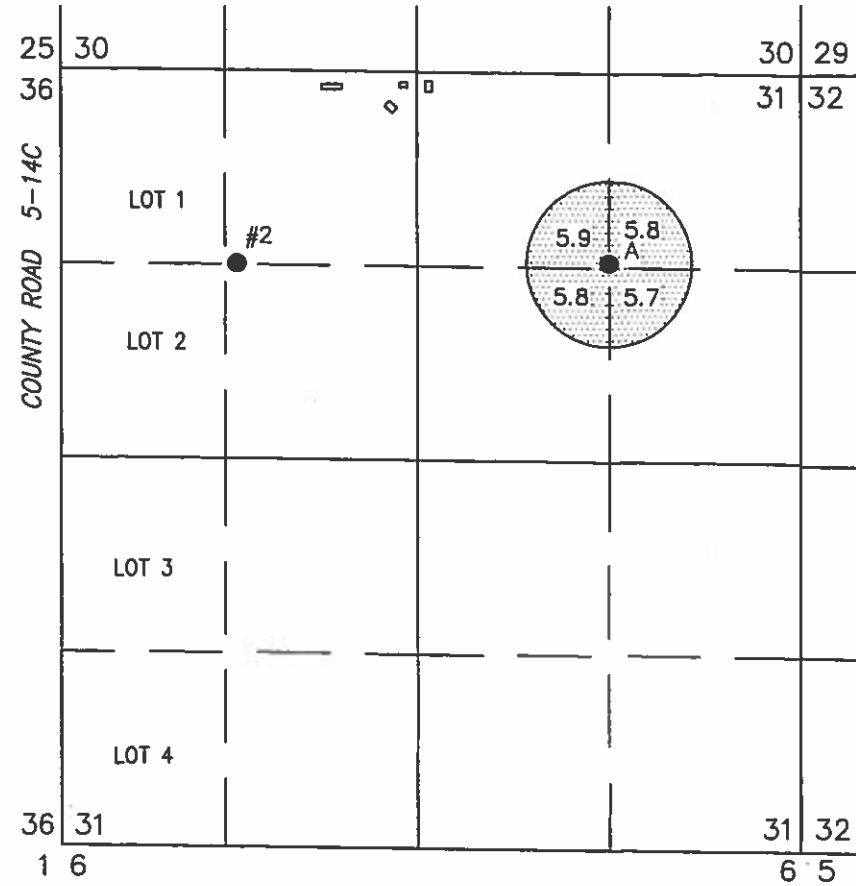
 23.2 ACRES PRIMARY GROUND WATER RIGHTS FROM CERTIFICATE #67903 (G-8432) TRANSFERRED "FROM" AS SHOWN.

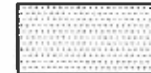
● WELL #5 (LAKE 1397/4097-G8432) IN THE SW 1/4 NW 1/4 SECTION 15, T28S R16E, W.M. LOCATED 2650 FEET NORTH AND 1310 FEET EAST FROM THE SW CORNER OF SECTION 15.



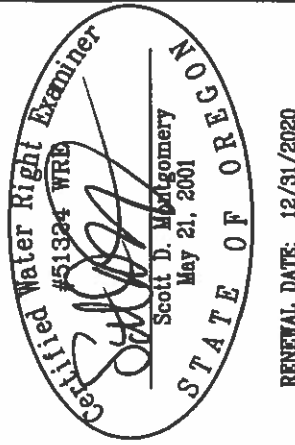
SCALE 4" = 1 MILE

TO TAX LOT 200 IN SECTION 31,
TOWNSHIP 26 SOUTH, RANGE 18 EAST, W.M.
LAKE COUNTY, OREGON



 23.2 ACRES PRIMARY GROUND WATER RIGHTS FROM CERTIFICATE #67903 (G-8432) TRANSFERRED "TO" AS SHOWN.

● WELL A (LAKE 687) IN THE NE 1/4 NE 1/4 SECTION 31, T26S R18E, W.M. LOCATED 1410 FEET NORTH AND 1320 FEET EAST FROM THE C 1/4 CORNER OF SECTION 31.



RENEWAL DATE: 12/31/2020

ALL POINTS ENGINEERING
& SURVEYING, INC.

P.O. BOX 767
TERREBONNE, OREGON 97760
(541) 548-5833 PH
(844) 273-9878 FX
www.APEandS.com



RECEIVED
FEB 11 2019
OWRD

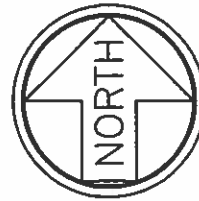
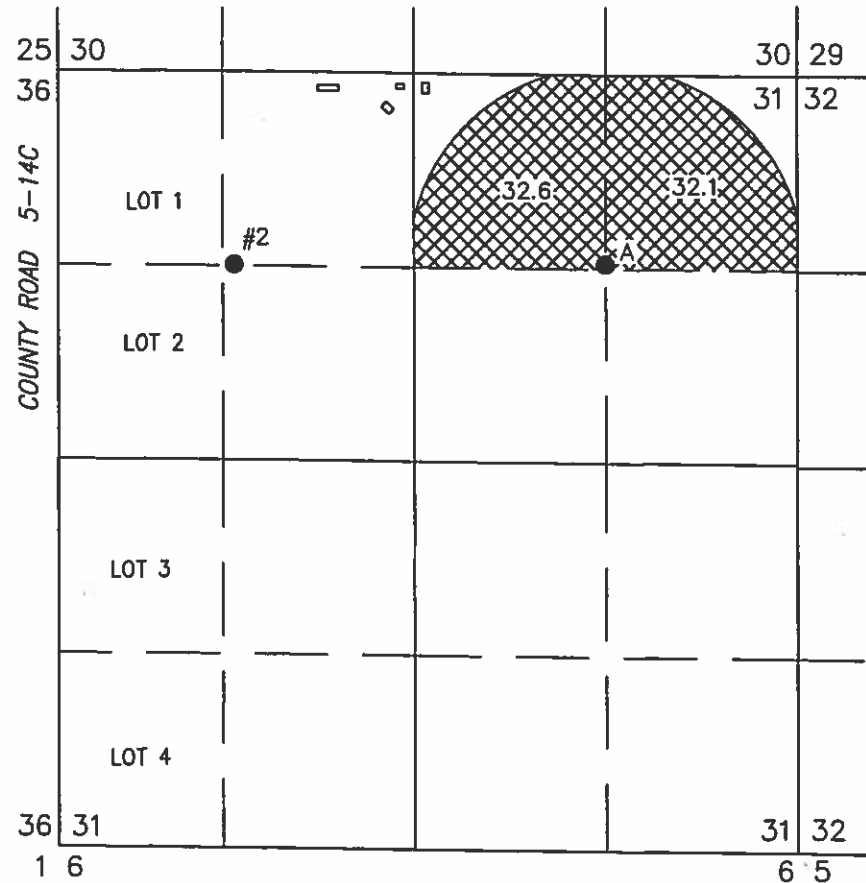
PROJECT No. 18-050

PREPARED AT THE REQUEST OF:
CHURCH FAMILY FARMS, INC.
P.O. BOX 751
CHRISTMAS VALLEY, OR 97641

THIS MAP IS FOR THE PURPOSE OF LOCATING A WATER RIGHT ONLY AND HAS NO INTENT TO PROVIDE LEGAL DIMENSIONS OR THE LOCATION OF PROPERTY LINES.

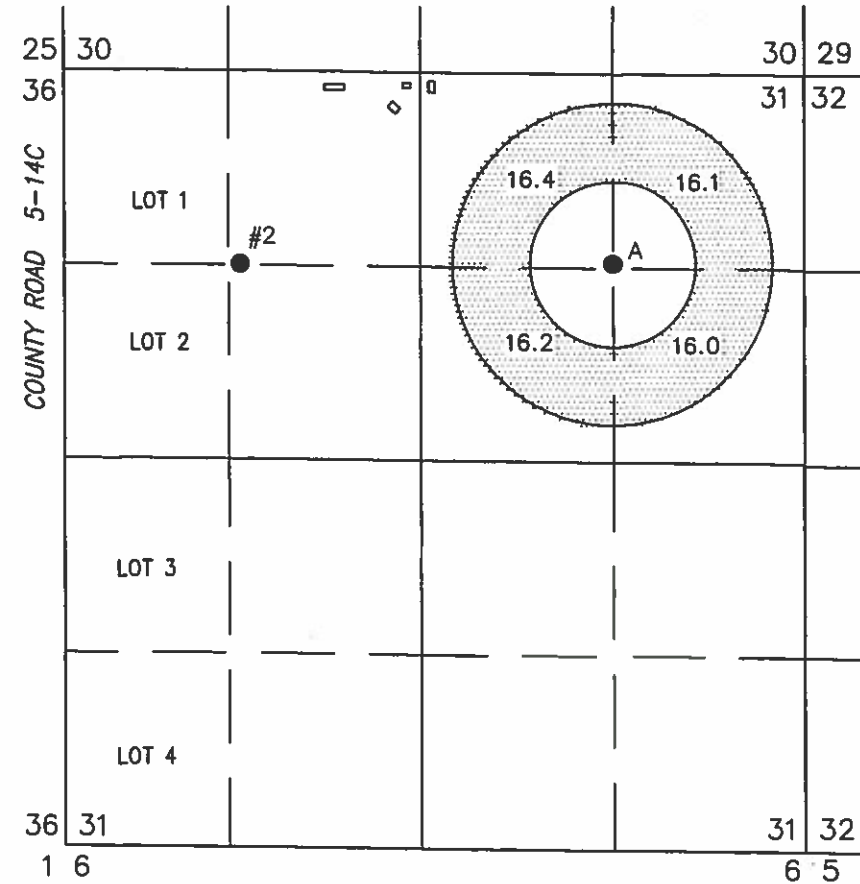
TRANSFER MAP TO ACCOMPANY APPLICATION
TO CHANGE PLACE OF USE & ADD POINTS
OF APPROPRIATION FOR
CHURCH FAMILY FARMS, INC.

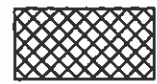
FROM TAX LOT 200 IN SECTION 31,
TOWNSHIP 26 SOUTH, RANGE 18 EAST, W.M.
LAKE COUNTY, OREGON




SCALE 4" = 1 MILE

TO TAX LOT 200 IN SECTION 31,
TOWNSHIP 26 SOUTH, RANGE 18 EAST, W.M.
LAKE COUNTY, OREGON



 64.7 ACRES PRIMARY GROUND WATER
RIGHTS FROM CERTIFICATE #76942 (G-9018)
TRANSFERRED "FROM" AS SHOWN.

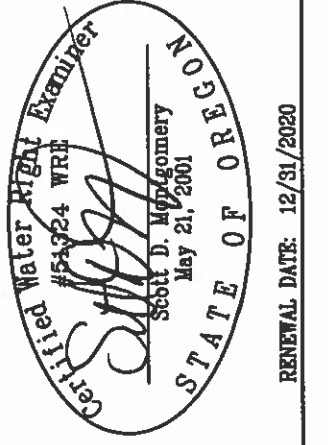
● WELL A (LAKE 687) IN THE NE 1/4 NE 1/4
SECTION 31, T26S R18E, W.M. LOCATED 1410
FEET NORTH AND 1320 FEET EAST FROM THE
C 1/4 CORNER OF SECTION 31.

 64.7 ACRES PRIMARY GROUND WATER
RIGHTS FROM CERTIFICATE #76942
(G-9018) TRANSFERRED "TO" AS SHOWN.

● WELL A (LAKE 687) IN THE NE 1/4 NE 1/4
SECTION 31, T26S R18E, W.M. LOCATED 1410
FEET NORTH AND 1320 FEET EAST FROM THE
C 1/4 CORNER OF SECTION 31.

RECEIVED
FEB 11 2019
OWRD

THIS MAP IS FOR THE PURPOSE OF LOCATING A WATER
RIGHT ONLY AND HAS NO INTENT TO PROVIDE LEGAL
DIMENSIONS OR THE LOCATION OF PROPERTY LINES.



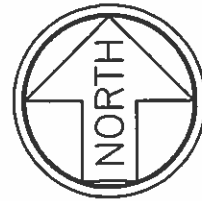
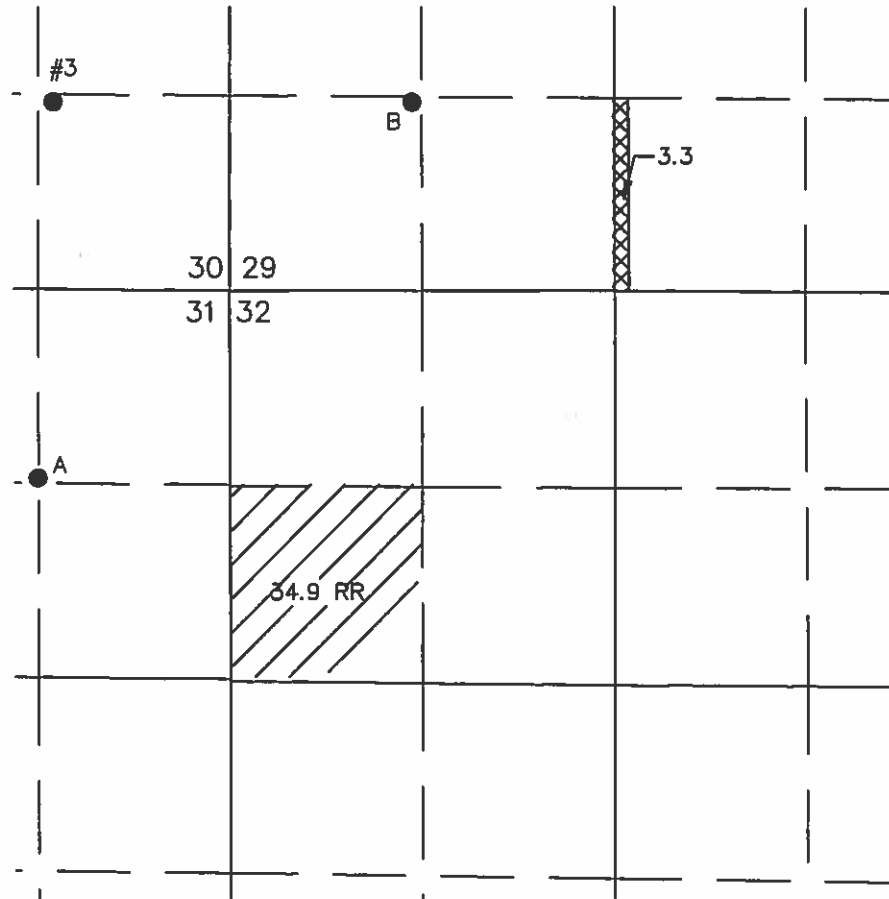
ALL POINTS ENGINEERING
& SURVEYING, INC.

P.O. BOX 767
TERREBONNE, OREGON 97760
(541) 548-5833 PH
(844) 273-9878 FX
www.APEandS.com

PROJECT No. 18-050
PREPARED AT THE REQUEST OF:
CHURCH FAMILY FARMS, INC.
P.O. BOX 751
CHRISTMAS VALLEY, OR 97641

TRANSFER MAP TO ACCOMPANY APPLICATION
TO CHANGE PLACE OF USE & ADD POINTS
OF APPROPRIATION FOR
CHURCH FAMILY FARMS, INC.

FROM TAX LOT 8000 IN SECTION 29,
TOWNSHIP 26 SOUTH, RANGE 18 EAST, W.M.
LAKE COUNTY, OREGON

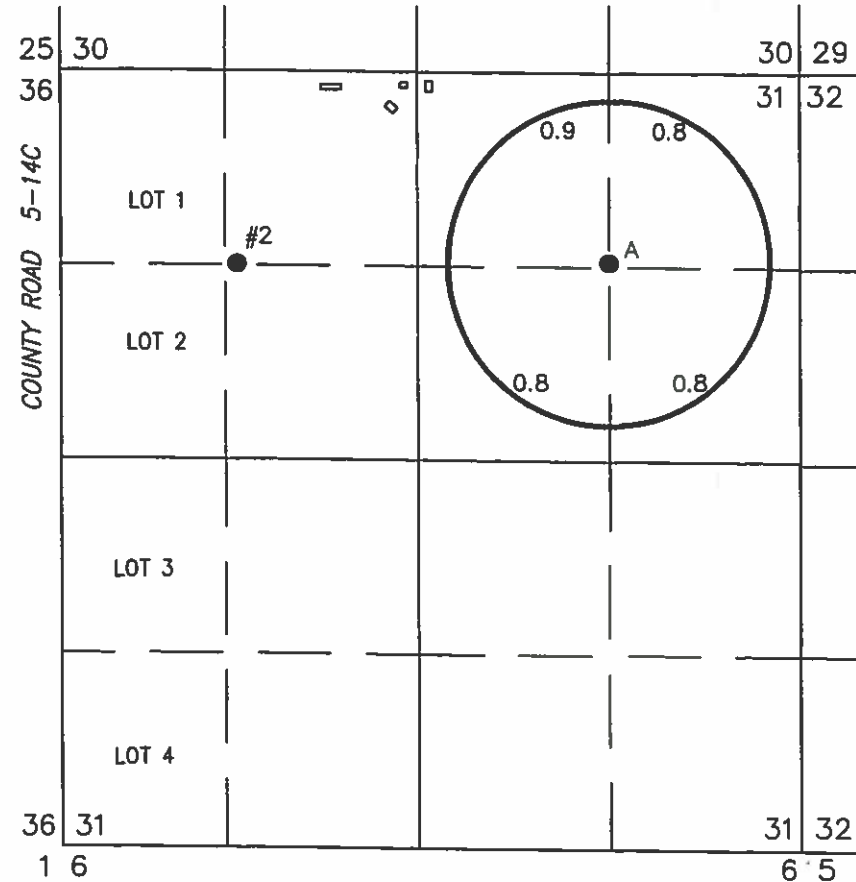


SCALE 4" = 1 MILE

 3.3 ACRES PRIMARY GROUND WATER RIGHTS
FROM CERTIFICATE #88719 (G-10043)
TRANSFERRED "FROM" AS SHOWN.
34.9 ACRES REMAIN

● WELL A (LAKE 687) IN THE NE 1/4 NE 1/4
SECTION 31, T26S R18E, W.M. LOCATED 1410
FEET NORTH AND 1320 FEET EAST FROM THE
C 1/4 CORNER OF SECTION 31.

TO TAX LOT 200 IN SECTION 31,
TOWNSHIP 26 SOUTH, RANGE 18 EAST, W.M.
LAKE COUNTY, OREGON

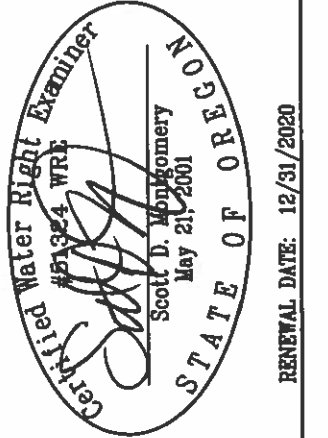


 3.3 ACRES PRIMARY GROUND WATER RIGHTS
FROM CERTIFICATE #88719 (G-10043)
TRANSFERRED "TO" AS SHOWN.

● WELL A (LAKE 687) IN THE NE 1/4 NE 1/4
SECTION 31, T26S R18E, W.M. LOCATED 1410
FEET NORTH AND 1320 FEET EAST FROM THE
C 1/4 CORNER OF SECTION 31.

RECEIVED
FEB 11 2019
OWRD

THIS MAP IS FOR THE PURPOSE OF LOCATING A WATER
RIGHT ONLY AND HAS NO INTENT TO PROVIDE LEGAL
DIMENSIONS OR THE LOCATION OF PROPERTY LINES.



ALL POINTS ENGINEERING
& SURVEYING, INC.

P.O. BOX 767
TERREBONNE, OREGON 97760
(541) 548-5833 PH
(844) 273-9878 FX
www.APEandS.com

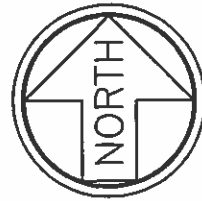
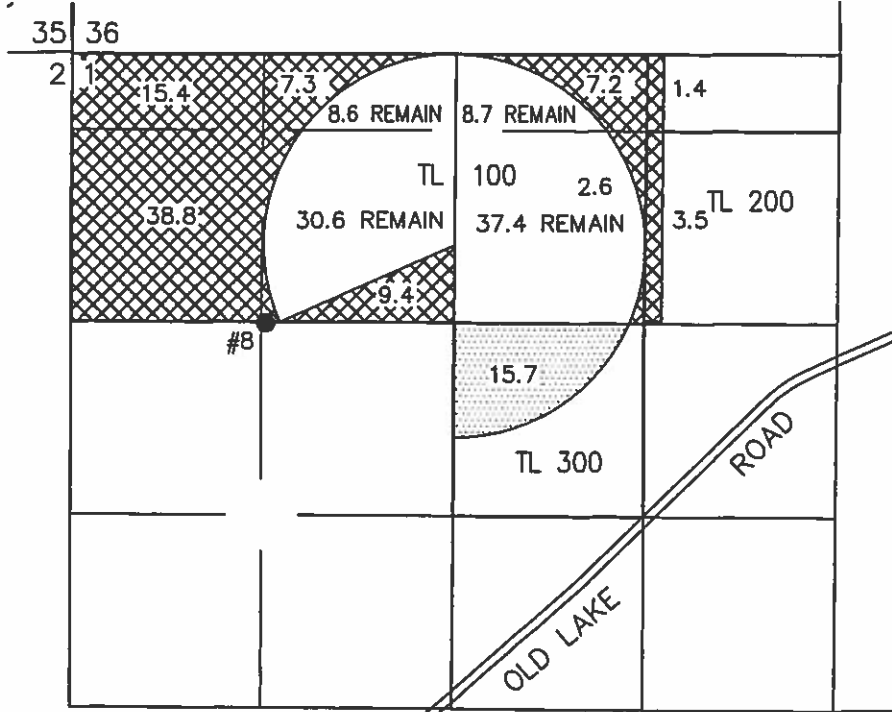
PROJECT No. 18-050

PREPARED AT THE REQUEST OF:
CHURCH FAMILY FARMS, INC.
P.O. BOX 751
CHRISTMAS VALLEY, OR 97641

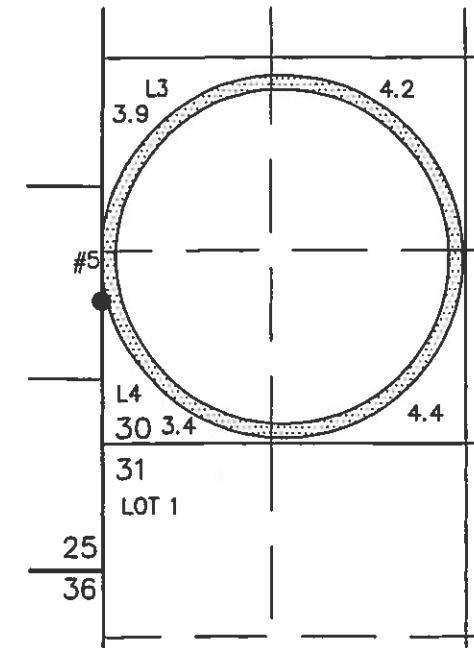
FROM TAX LOTS 100 & 300
IN SECTION 1, TOWNSHIP 28 SOUTH, RANGE 16 EAST, W.M.
LAKE COUNTY, OREGON

TRANSFER MAP TO ACCOMPANY APPLICATION
TO CHANGE PLACE OF USE & ADD POINTS
OF APPROPRIATION FOR
CHURCH FAMILY FARMS, INC.

TO TAX LOT 1900 IN SECTION 30,
TOWNSHIP 27 SOUTH, RANGE 17 EAST, W.M.
LAKE COUNTY, OREGON



SCALE 4" = 1 MILE



31.6 ACRES PRIMARY GROUND WATER RIGHTS FROM CERTIFICATE #86164 (G-10718) TRANSFERRED "TO" AS SHOWN.

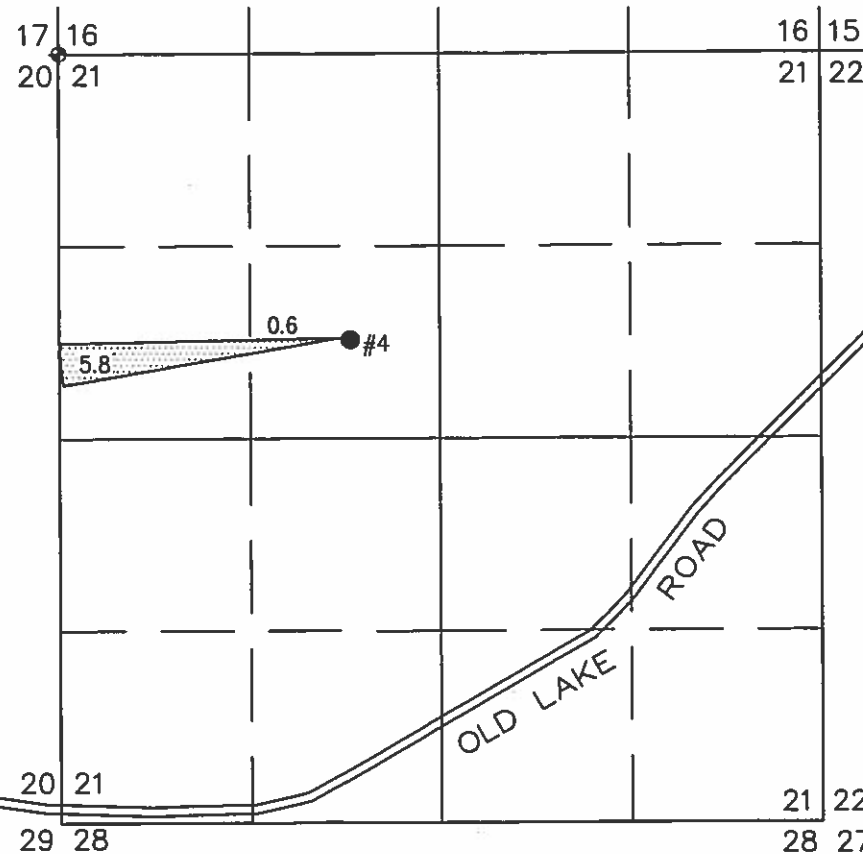
WELL #5 (LAKE 51631-G8100) IN THE NE 1/4 SE 1/4 SECTION 25, T27S R16E, W.M. LOCATED 800 FEET SOUTH AND 10 FEET WEST FROM THE E 1/4 CORNER OF SECTION 25.

85.6 ACRES PRIMARY GROUND WATER RIGHTS FROM CERTIFICATE #86164 (G-10718) TRANSFERRED "FROM" AS SHOWN.

WELL #8 (LAKE 1369-G10718) IN THE SE 1/4 NW 1/4 SECTION 1, T28S R16E, W.M. LOCATED 1850 FEET SOUTH AND 1340 FEET EAST FROM THE NW CORNER OF SECTION 1.

15.7 ACRES PRIMARY GROUND WATER RIGHTS FROM CERTIFICATE #86164 (G-10718) TRANSFERRED "TO" AS SHOWN.

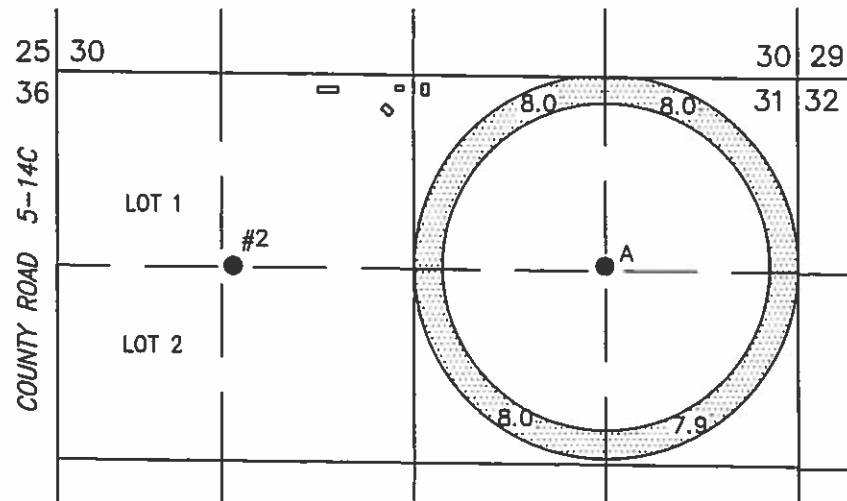
TO TAX LOT 100 IN SECTION 21,
TOWNSHIP 28 SOUTH, RANGE 16 EAST, W.M.
LAKE COUNTY, OREGON



6.4 ACRES PRIMARY GROUND WATER RIGHTS FROM CERTIFICATE #86164 (G-10718) TRANSFERRED "TO" AS SHOWN.

WELL #4 (LAKE 1411-G8199) IN THE SE 1/4 NW 1/4 SECTION 21, T28S R16E, W.M. LOCATED 1990 FEET SOUTH AND 3280 FEET WEST FROM THE NE CORNER OF SECTION 21.

TO TAX LOT 200 IN SECTION 31,
TOWNSHIP 26 SOUTH, RANGE 18 EAST, W.M.
LAKE COUNTY, OREGON



WELL A (LAKE 687) IN THE NE 1/4 SECTION 31, T26S R18E, W.M. LOCATED 1410 FEET NORTH AND 1320 FEET EAST FROM THE C 1/4 CORNER OF SECTION 31.

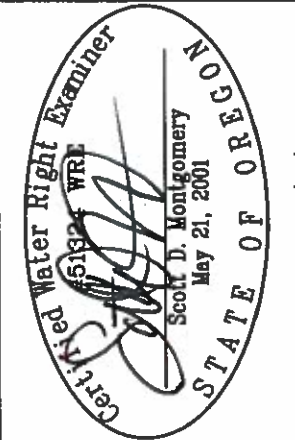
31.9 ACRES PRIMARY GROUND WATER RIGHTS FROM CERTIFICATE #86164 (G-10718) TRANSFERRED "TO" AS SHOWN.

THIS MAP IS FOR THE PURPOSE OF LOCATING A WATER RIGHT ONLY AND HAS NO INTENT TO PROVIDE LEGAL DIMENSIONS OR THE LOCATION OF PROPERTY LINES.

RECEIVED

FEB 11 2019

OWRD



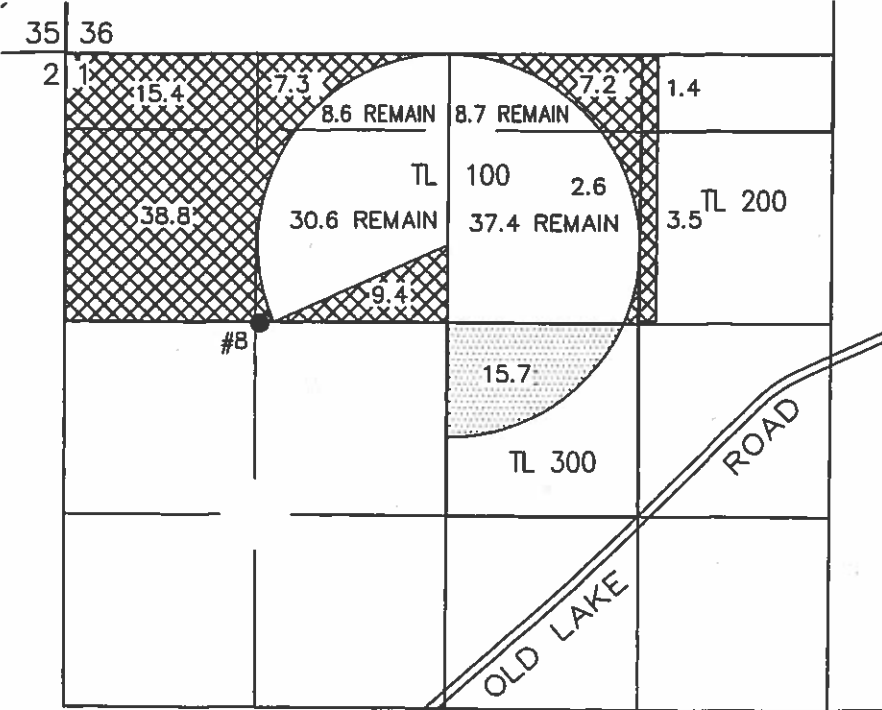
ALL POINTS ENGINEERING
& SURVEYING, INC.

P.O. BOX 767
TERREBONNE, OREGON 97760
(541) 548-5833 PH
(844) 273-9878 FX
www.APEandS.com

PROJECT No. 18-050

PREPARED AT THE REQUEST OF:
CHURCH FAMILY FARMS, INC.
P.O. BOX 751
CHRISTMAS VALLEY, OR 97641

FROM TAX LOTS 100 & 300
IN SECTION 1, TOWNSHIP 28 SOUTH, RANGE 16 EAST, W.M.
LAKE COUNTY, OREGON

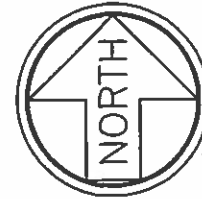


85.6 ACRES PRIMARY GROUND WATER RIGHTS FROM CERTIFICATE #86164 (G-10718) TRANSFERRED "FROM" AS SHOWN.

15.7 ACRES PRIMARY GROUND WATER RIGHTS FROM CERTIFICATE #86164 (G-10718) TRANSFERRED "TO" AS SHOWN.

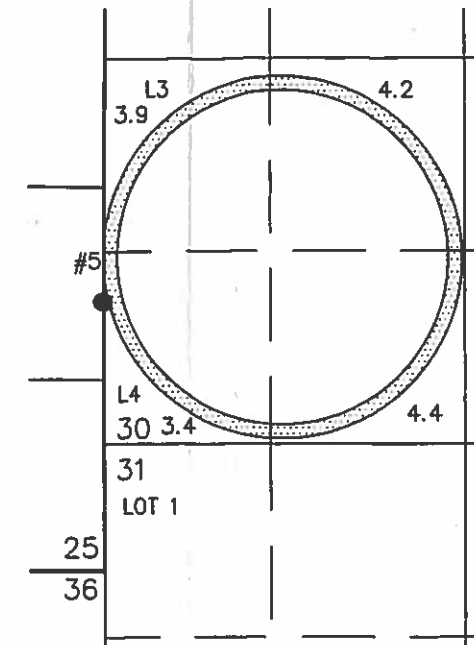
● WELL #8 (LAKE 1369-G10718) IN THE SE 1/4 NW 1/4 SECTION 1, T28S R16E, W.M. LOCATED 1850 FEET SOUTH AND 1340 FEET EAST FROM THE NW CORNER OF SECTION 1.

TRANSFER MAP TO ACCOMPANY APPLICATION TO CHANGE PLACE OF USE & ADD POINTS OF APPROPRIATION FOR CHURCH FAMILY FARMS, INC.



SCALE 4" = 1 MILE

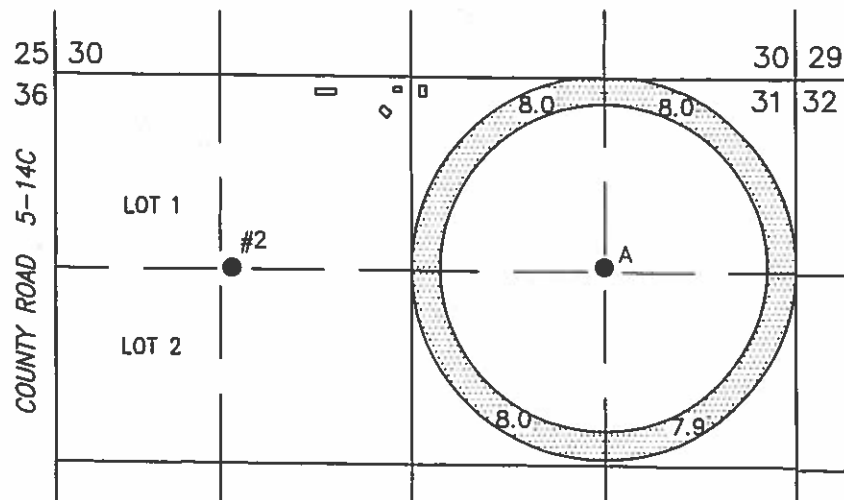
TO TAX LOT 1900 IN SECTION 30,
TOWNSHIP 27 SOUTH, RANGE 17 EAST, W.M.
LAKE COUNTY, OREGON



31.6 ACRES PRIMARY GROUND WATER RIGHTS FROM CERTIFICATE #86164 (G-10718) TRANSFERRED "TO" AS SHOWN.

● WELL #5 (LAKE 51631-G8100) IN THE NE 1/4 SE 1/4 SECTION 25, T27S R16E, W.M. LOCATED 800 FEET SOUTH AND 10 FEET WEST FROM THE E 1/4 CORNER OF SECTION 25.

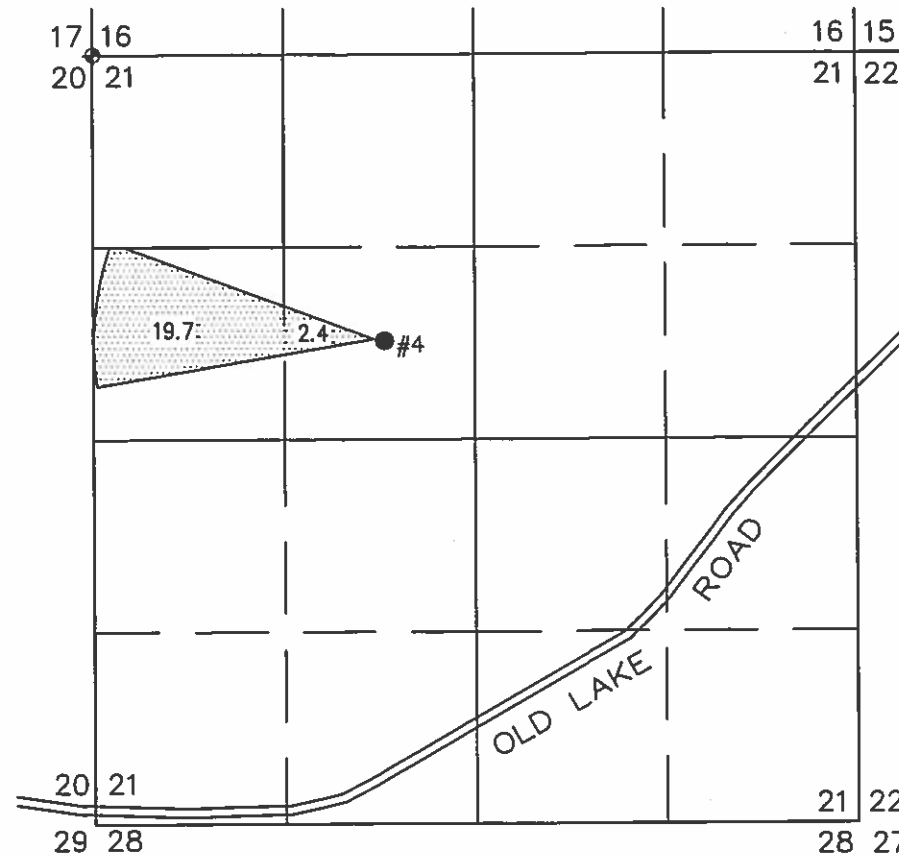
TO TAX LOT 200 IN SECTION 31,
TOWNSHIP 26 SOUTH, RANGE 18 EAST, W.M.
LAKE COUNTY, OREGON



● WELL A (LAKE 687) IN THE NE 1/4 NE 1/4 SECTION 31, T26S R18E, W.M. LOCATED 1410 FEET NORTH AND 1320 FEET EAST FROM THE C 1/4 CORNER OF SECTION 31.

31.9 ACRES PRIMARY GROUND WATER RIGHTS FROM CERTIFICATE #86164 (G-10718) TRANSFERRED "TO" AS SHOWN.

TO TAX LOT 100 IN SECTION 21,
TOWNSHIP 28 SOUTH, RANGE 16 EAST, W.M.
LAKE COUNTY, OREGON

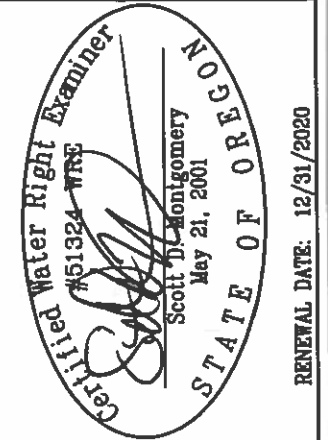


● WELL #4 (LAKE 1411-G8199) IN THE SE 1/4 NW 1/4 SECTION 21, T28S R16E, W.M. LOCATED 1990 FEET SOUTH AND 3280 FEET WEST FROM THE NE CORNER OF SECTION 21.

22.1 ACRES PRIMARY GROUND WATER RIGHTS FROM CERTIFICATE #86164 (G-10718) TRANSFERRED "TO" AS SHOWN.

THIS MAP IS FOR THE PURPOSE OF LOCATING A WATER RIGHT ONLY AND HAS NO INTENT TO PROVIDE LEGAL DIMENSIONS OR THE LOCATION OF PROPERTY LINES.

RECEIVED
FEB 11 2019
OWRD



RENEWAL DATE: 12/31/2020

ALL POINTS ENGINEERING & SURVEYING, INC.

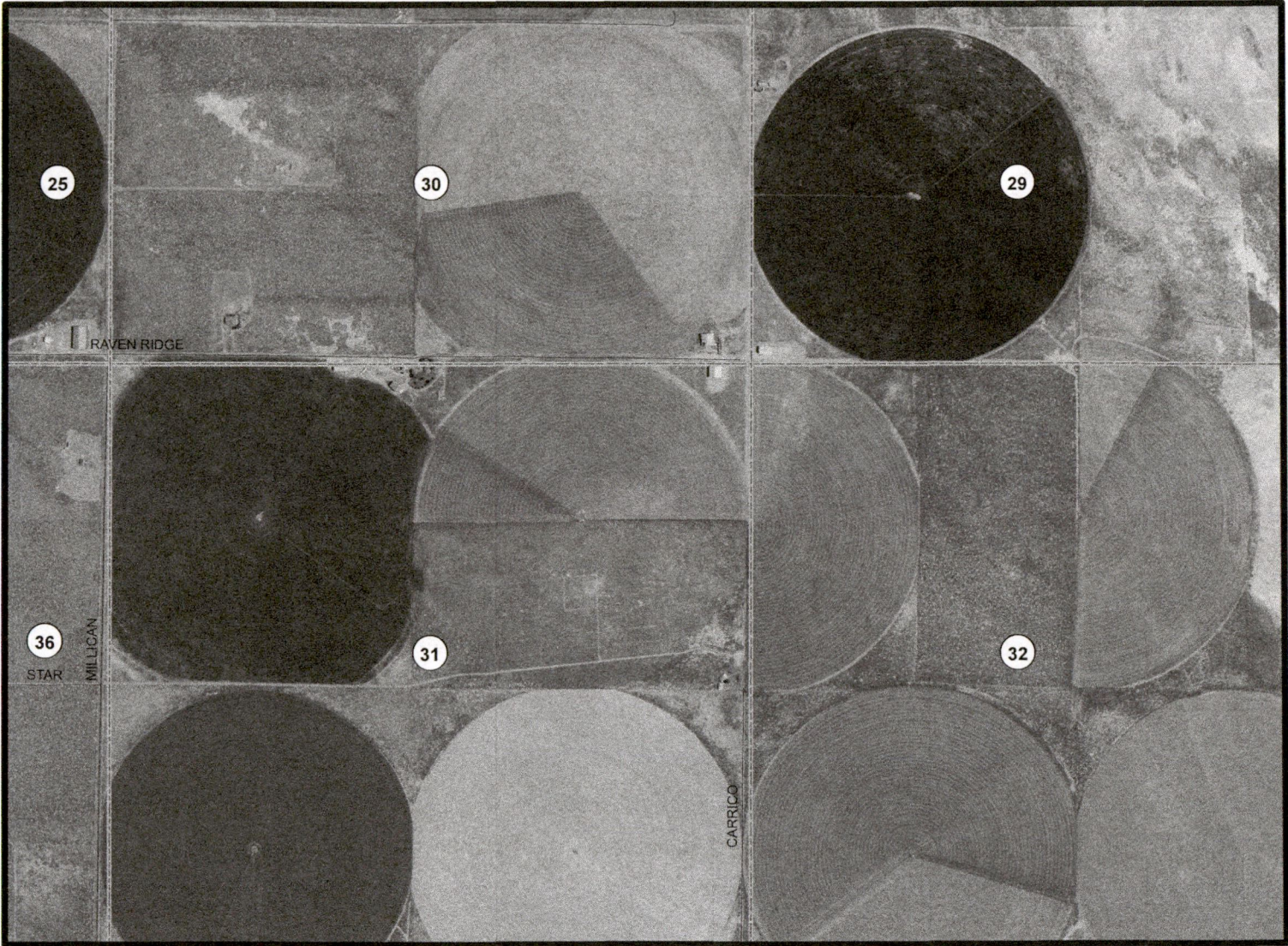
P.O. BOX 767
TERREBONNE, OREGON 97760
(541) 548-5833 PH
(844) 273-9878 FX
www.APEandS.com



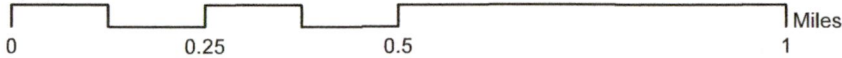
PROJECT No. 18-050

PREPARED AT THE REQUEST OF:
CHURCH FAMILY FARMS, INC.
P.O. BOX 751
CHRISTMAS VALLEY, OR 97641

T 26 S, R 18 E, W.M.



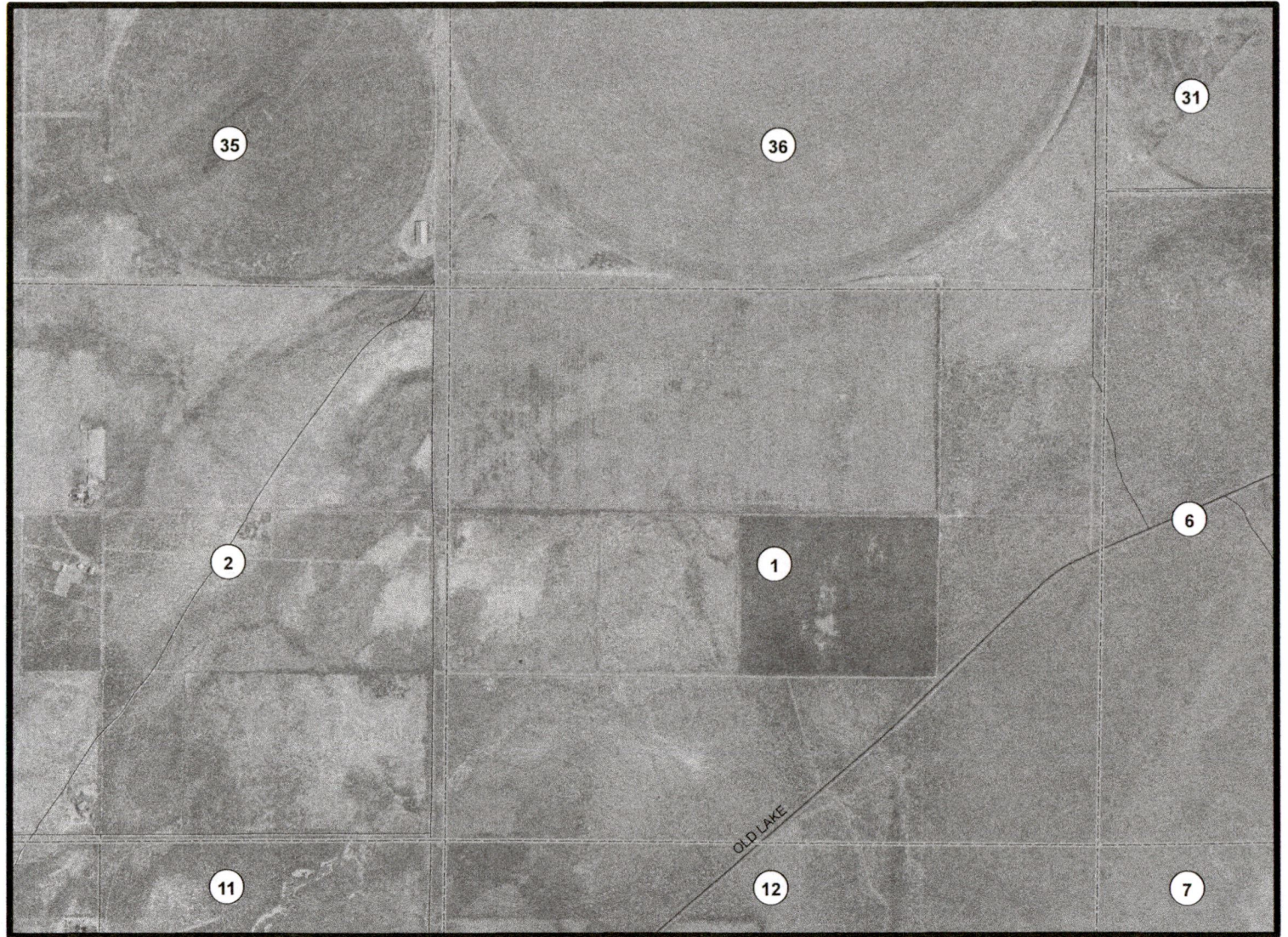
RECEIVED
FEB 11 2019
OWRD



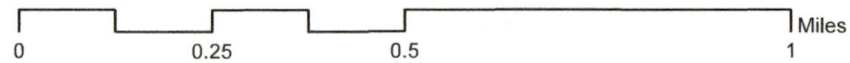
13122

2016 aerial imagery downloaded from NRCS Gateway website and imported into ESRI ArcMap GIS software with Oregon Statewide Lambert Projection

T 28 S, R 16 E, W.M.



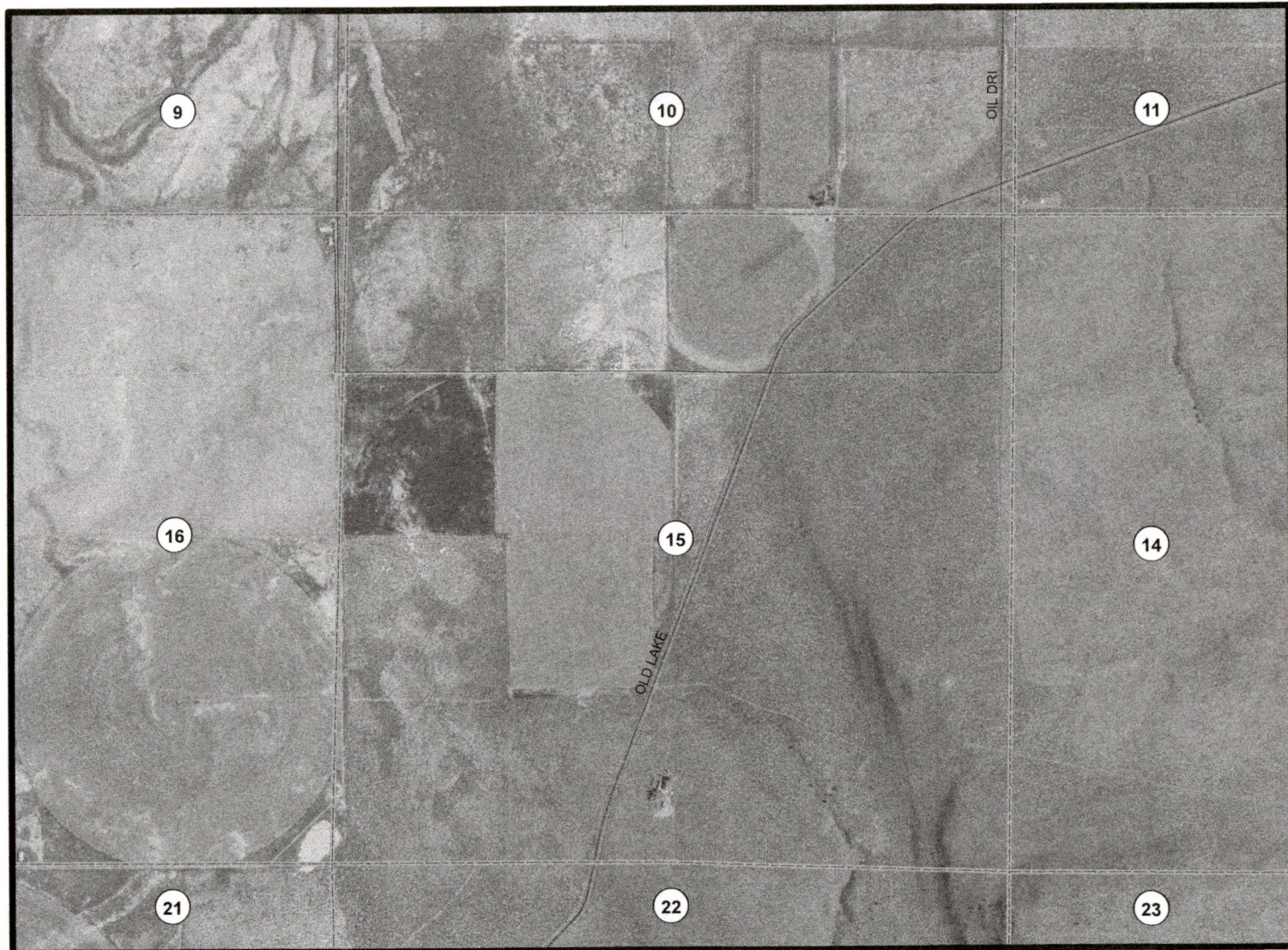
RECEIVED
FEB 11 2019
OWRD



2016 aerial imagery downloaded from NRCS Gateway website and imported into ESRI ArcMap GIS software with Oregon Statewide Lambert Projection

13122

T 28 S, R 16 E, W.M.



RECEIVED
FEB 11 2019
OWRD

