
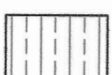


FRANK TIEGS
 TEMPORARY TRANSFER APPLICATION MAP
 INVOLVING CERTIFICATES 68536, 61848 &
 61849
 T2&3N, R26E WM
 MORROW CO
 2019

FROM

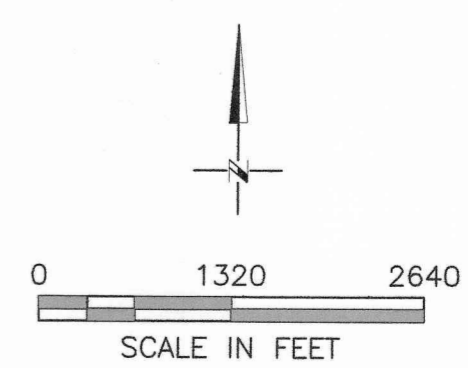
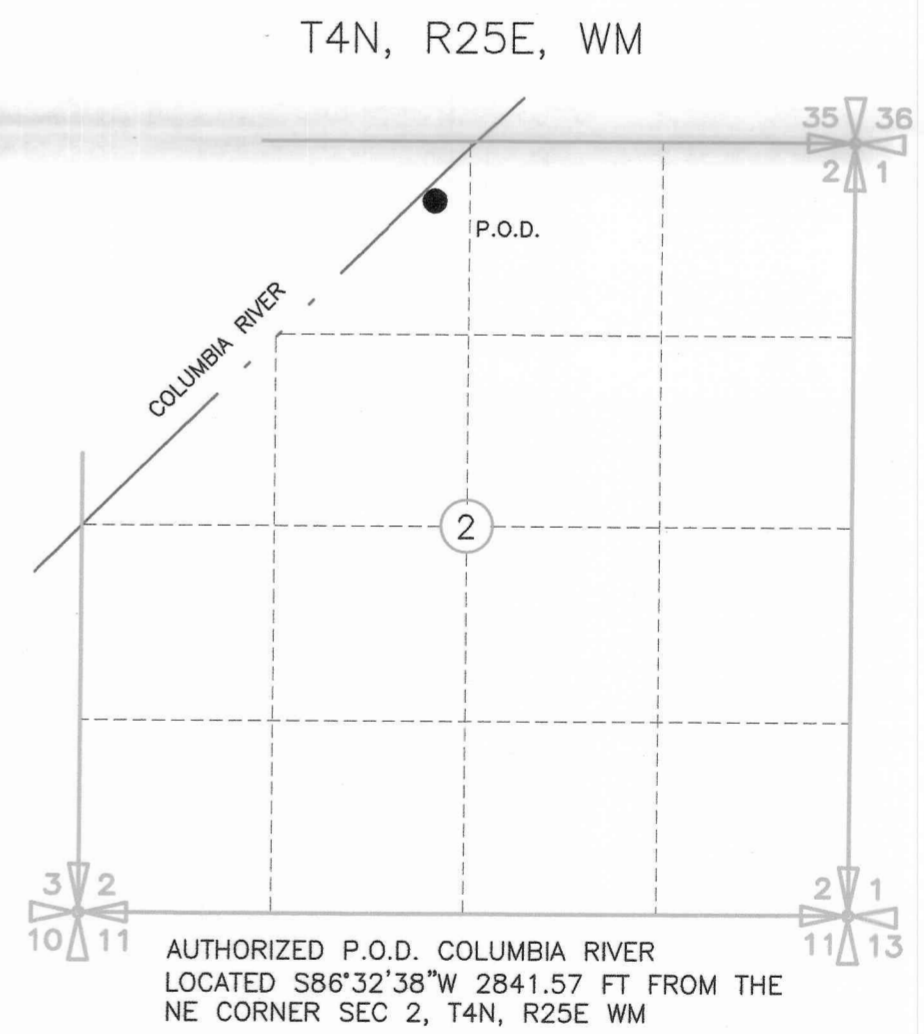
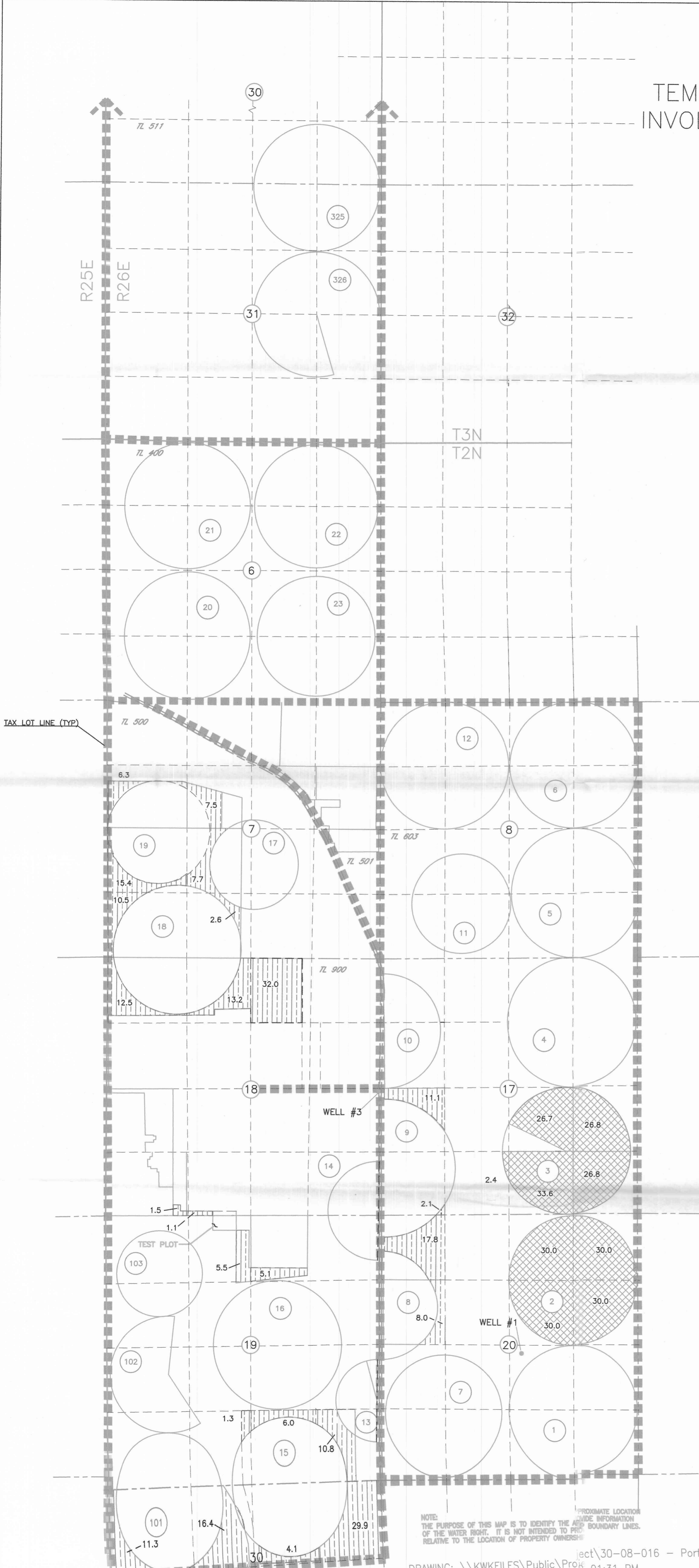
-  236.3 AC PRIMARY WELLS #1 & #3 CERT 61848
 SUPPLEMENTAL COLUMBIA RIVER CERT 68536
 SUPPLEMENTAL WELL #2 & #3 CERT 61849
-  239.7 AC PRIMARY WELLS #1 & #3 CERT 61848
 SUPPLEMENTAL WELL #2 & #3 CERT 61849

AUTHORIZED P.O.D.
 LOCATED S86°32'38"W 2841.57 FT FROM THE
 NE CORNER SEC 2, T4N, R25E WM

AUTHORIZED P.O.A.
 WELL #1 LOCATED 2470'N AND 2910'E FROM
 THE SW COR SEC 20 T2N, R26E, WM

WELL #2 LOCATED 100'S AND 1350'W FROM
 THE NE COR SEC 17 T2N, R26E, WM

WELL #3 LOCATED 30'S AND 30'W FROM THE
 E ¼ COR SEC 18 T2N, R26E, WM



RECEIVED
 JUL 01 2019
 OWRD

13216

NOTE:
 THE PURPOSE OF THIS MAP IS TO IDENTIFY THE APPROXIMATE LOCATION OF THE WATER RIGHT. IT IS NOT INTENDED TO PROVIDE BOUNDARY INFORMATION RELATIVE TO THE LOCATION OF PROPERTY OWNERS.

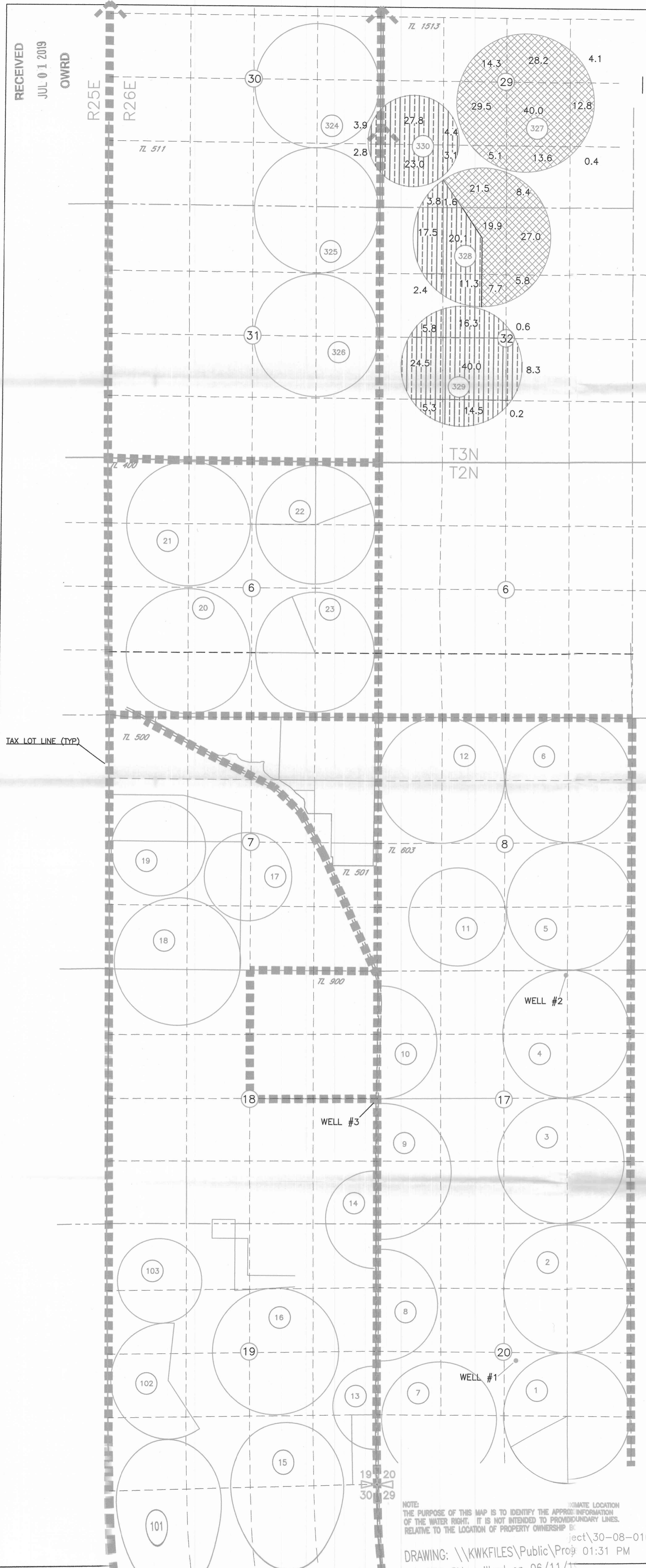
PROXIMATE LOCATION OF BOUNDARY INFORMATION

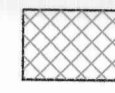

DRAWING: \\KWKFILES\Public\Projects\30-08-016 - Porfily Water Rights Consulting\00 Misc Engineering\Cad\TIEGS\35223\OTIG TT19.dwg
 PRINTED BY: rwillard on 06/11/19 01:31 PM

RECEIVED
JUL 01 2019
OWRD

FRANK TIEGS TEMPORARY TRANSFER APPLICATION MAP INVOLVING CERTIFICATES 68536, 61848 & 61849 T2&3N, R26E WM MORROW CO 2019

TO



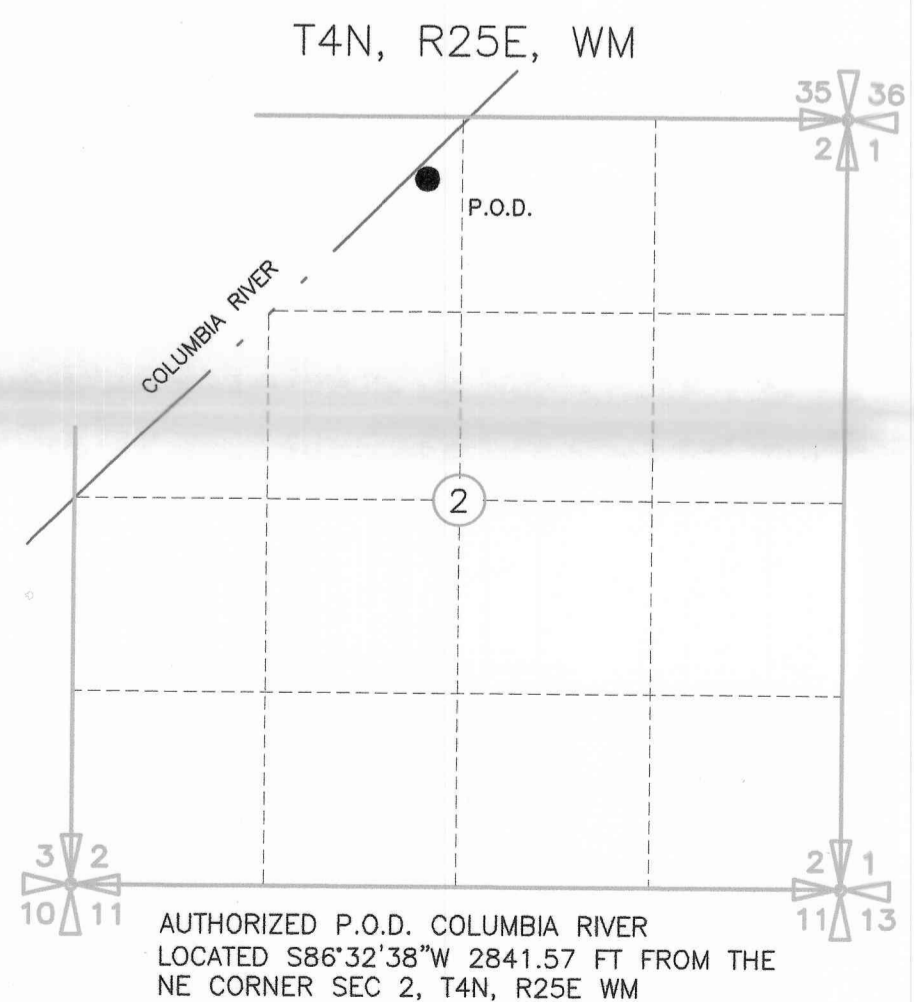
-  236.3 AC PRIMARY WELLS #1 & #3 CERT 61848
SUPPLEMENTAL COLUMBIA RIVER CERT 68536
SUPPLEMENTAL WELL #2 & #3 CERT 61849
-  239.7 AC PRIMARY WELLS #1 & #3 CERT 61848
SUPPLEMENTAL WELL #2 & #3 CERT 61849

AUTHORIZED P.O.D.
LOCATED S86°32'38"W 2841.57 FT FROM THE
NE CORNER SEC 2, T4N, R25E WM

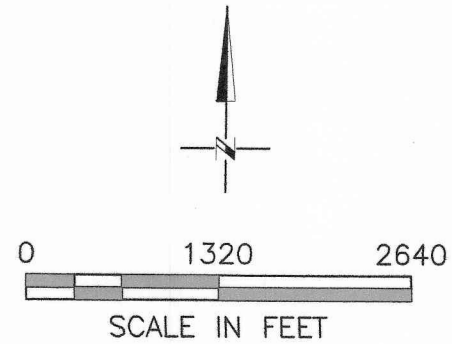
AUTHORIZED P.O.A.
WELL #1 LOCATED 2470'N AND 2910'E FROM
THE SW COR SEC 20 T2N, R26E, WM

WELL #2 LOCATED 100'S AND 1350'W FROM
THE NE COR SEC 17 T2N, R26E, WM

WELL #3 LOCATED 30'S AND 30'W FROM THE
E 1/4 COR SEC 18 T2N, R26E, WM



13216



NOTE:
THE PURPOSE OF THIS MAP IS TO IDENTIFY THE APPROXIMATE LOCATION
OF THE WATER RIGHT. IT IS NOT INTENDED TO PROVIDE BOUNDARY LINES.
RELATIVE TO THE LOCATION OF PROPERTY OWNERSHIP.