

**Transfer Application for
Certificate 91526**

**A Water Right in the
Name of City of Salem
Point of Appropriation Map**

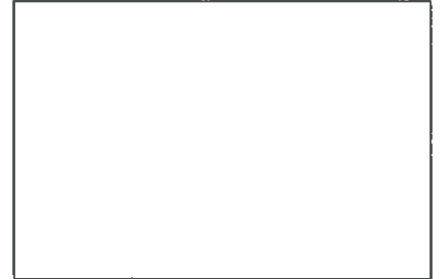
Marion County, Oregon
Township 9 South,
Range 1 West (W.M.)

LEGEND

- ⊙ Authorized Point of Appropriation (POA)
- Proposed Point of Appropriation (POA)
- Water Main Line
- ⊞ Donation Land Claim (DLC)
- ⊞ Government Lot (GL)
- All Other Features**
- ▭ County Boundary
- ▭ Tax Lot
- Railroad
- Major Road
- ~ Watercourse
- Waterbody

RECEIVED
DEC 17 2019
OWRD

Certified Water Rights Examiner Stamp



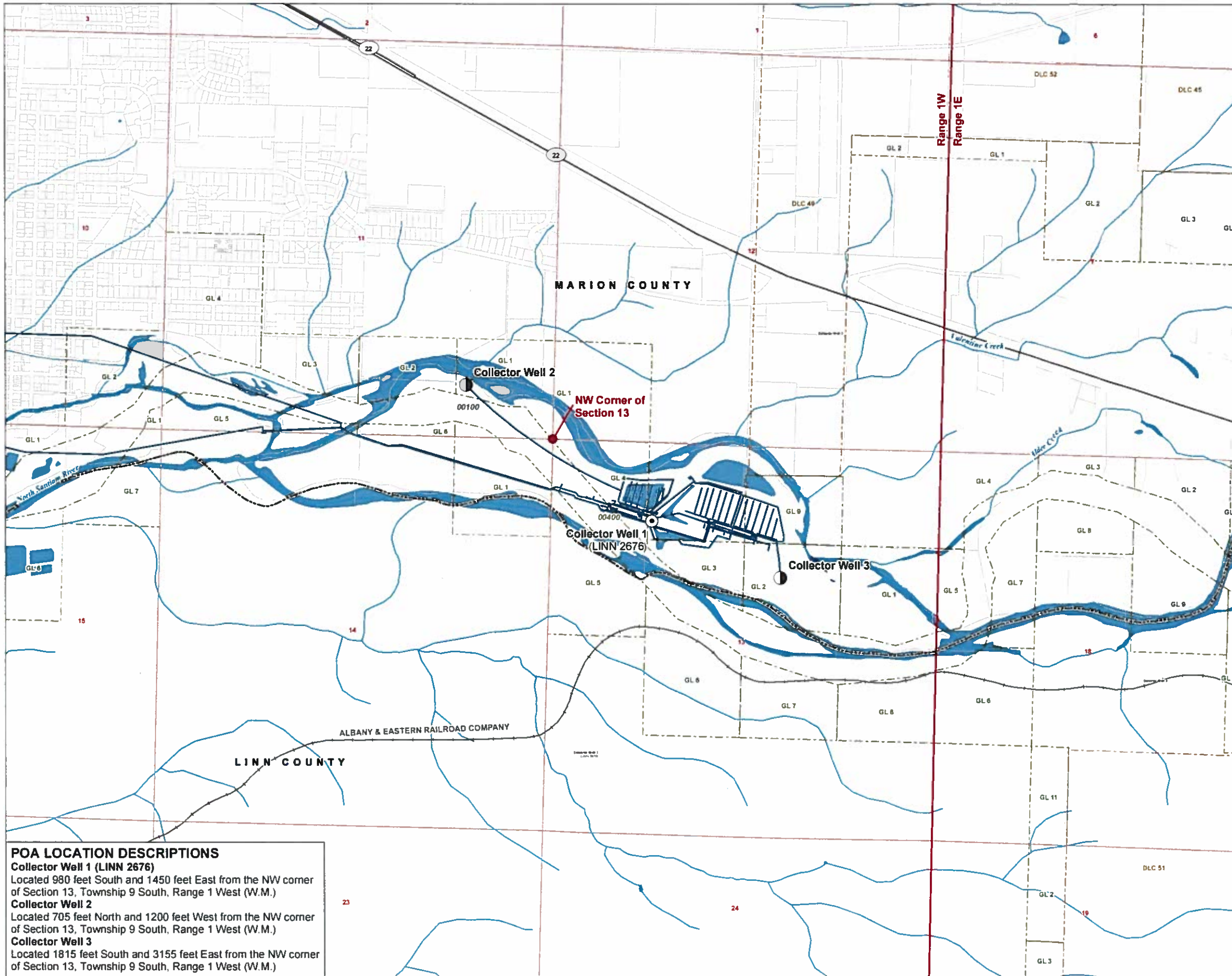
DISCLAIMER

This map was prepared for the purpose of identifying the location of a water right only and it is not intended to provide legal dimensions or location of property ownership lines.



0 660 1,320 1,980
1 inch = 1,320 feet

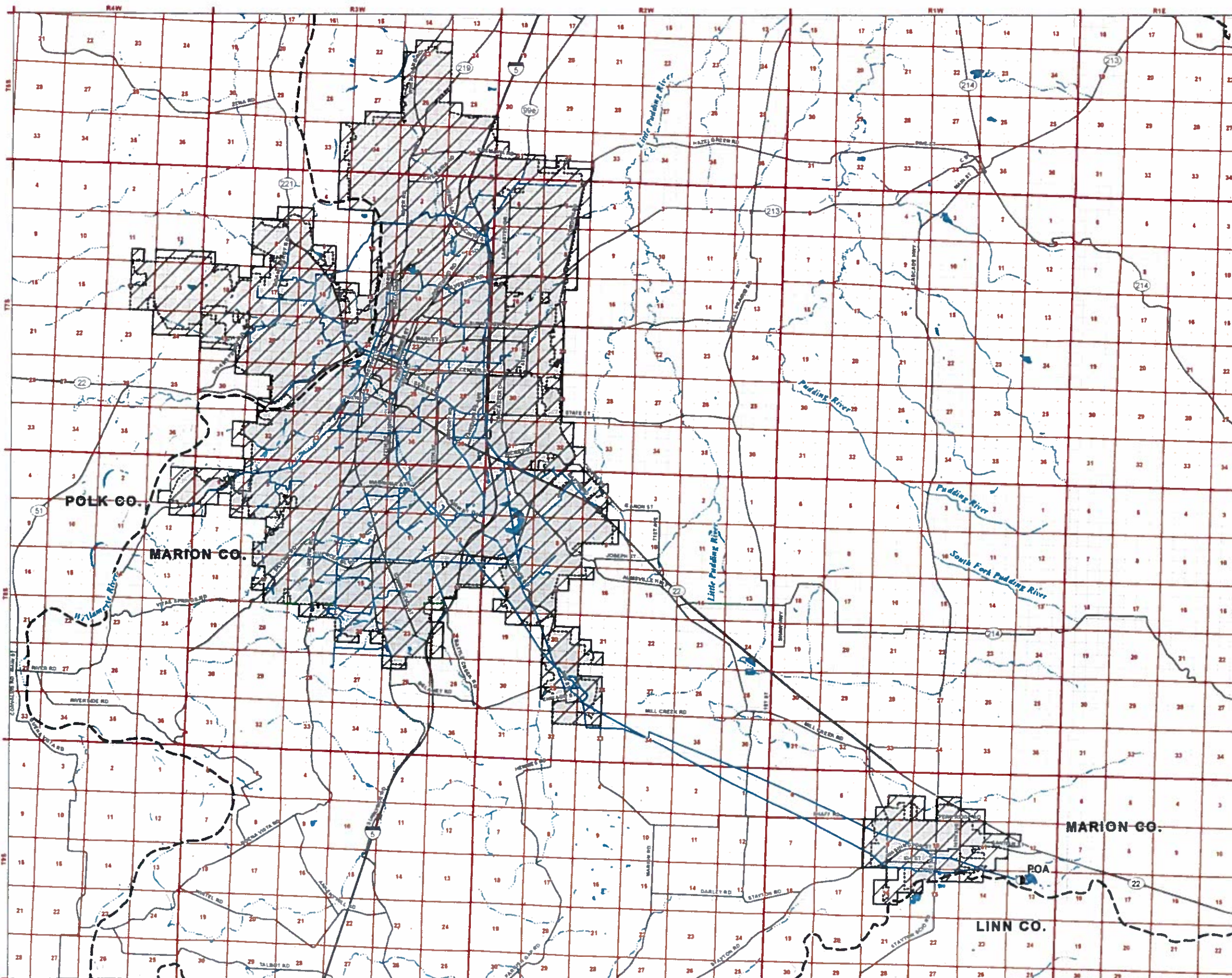
Date: September 5, 2019
Data Sources: BLM, USGS, ESRI, OWRD
City of Salem, Marion Co



POA LOCATION DESCRIPTIONS

- Collector Well 1 (LINN 2676)**
Located 980 feet South and 1450 feet East from the NW corner of Section 13, Township 9 South, Range 1 West (W.M.)
- Collector Well 2**
Located 705 feet North and 1200 feet West from the NW corner of Section 13, Township 9 South, Range 1 West (W.M.)
- Collector Well 3**
Located 1815 feet South and 3155 feet East from the NW corner of Section 13, Township 9 South, Range 1 West (W.M.)

13313



**Claim of Beneficial Use
Place of Use Map
Permit G-734, Application G-834**

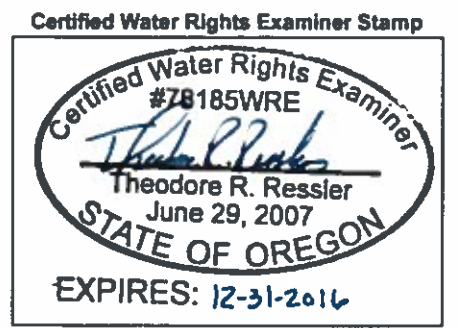
**Water Right in the Name of
the City of Salem**
Townships 6, 7, 8, 9 South,
Range 1, 2, 3, 4 West (W.M.)

- LEGEND**
- Place of Use (POU)
 - Point of Appropriation (POA)
 - Water Service Area
 - Water Mainlines
 - Major Roads
 - Watercourses
 - Waterbodies

RECEIVED
DEC 17 2019
OWRD

POU LOCATION DESCRIPTION
The Place of Use includes the area shown on this map and "any such additional area as may be added to the City of Salem or the service area of its water system"

POA LOCATION DESCRIPTION
POA
Located 980 feet South and 1,450 feet East from the NW corner of Section 13, Township 9 South, Range 1 West (W.M.)



DISCLAIMER
This map was prepared for the purpose of identifying the location of a water right only and it is not intended to provide legal dimensions or location of property ownership lines.

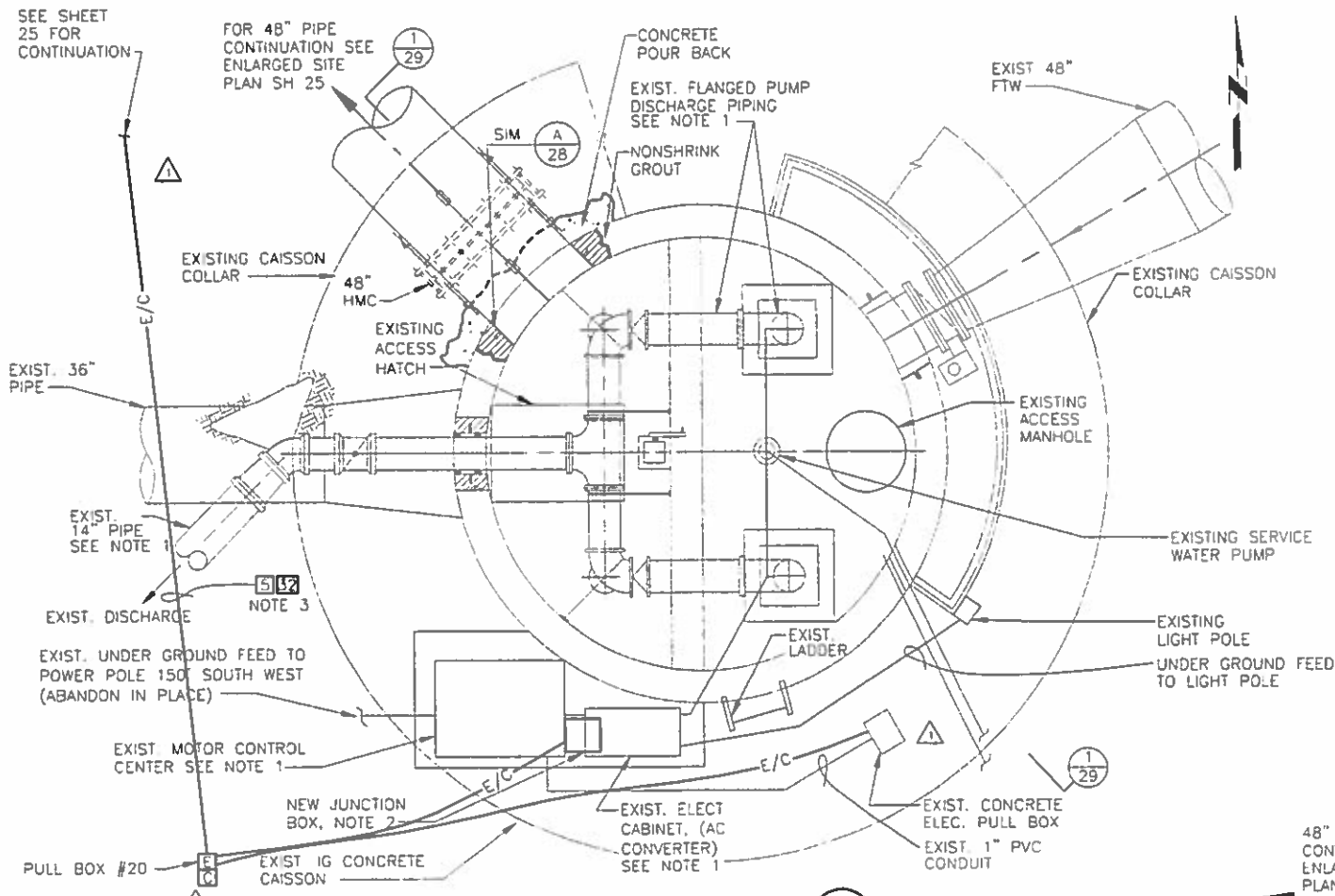


MAP NOTES:
Date: March 19, 2015
Data Sources: OWRD, OGIC, US BLM



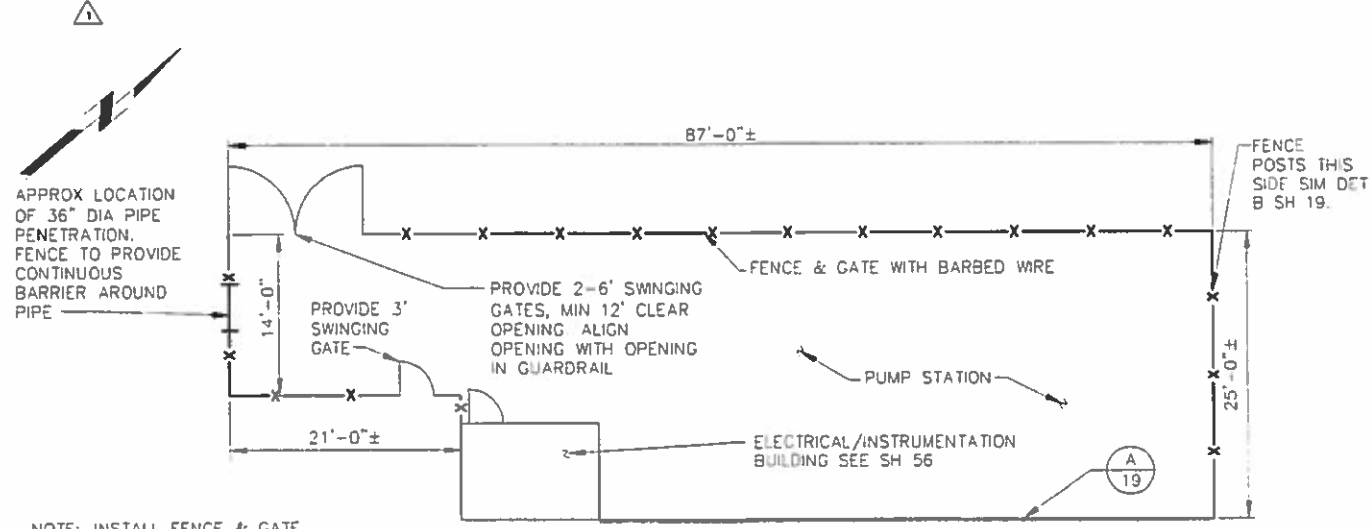
13313

C:\CYGNET\CACHE\Par\land\799037-29.dwg May 25 2006 4:56pm By cog27916

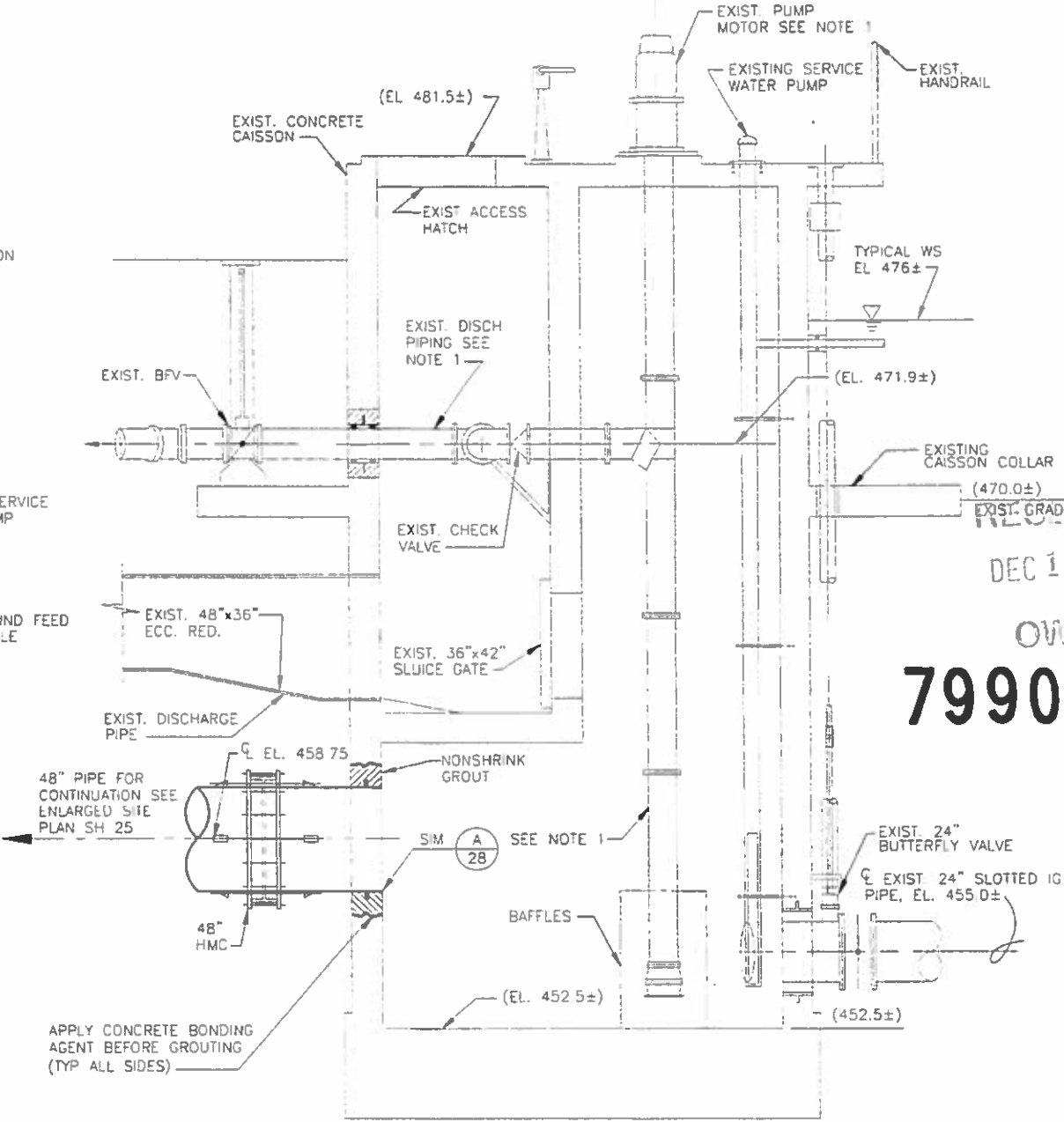


PLAN - EXISTING IG CAISSON
SCALE: 3/8" = 1'-0"

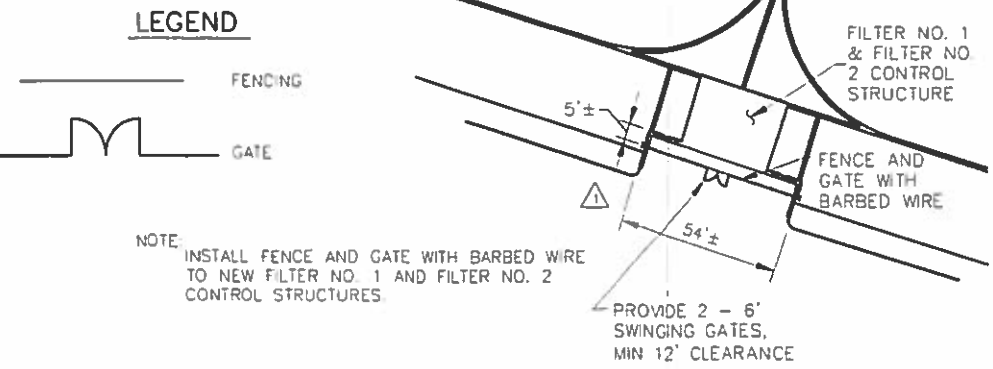
- NOTES:
1. REMOVE AND DISPOSE OF VERT PUMPS/MOTORS, MCC AND MISC ELEC EQUIPMENT AND ALL DISCHARGE PIPING & VALVES CAP 14" PIPE AT EXISTING 42" FTW/FW PIPE CONNECTION. CAP ALL ELECTRICAL CONDUITS AT GRADE AFTER REMOVAL OF EQUIPMENT PROVIDE AN ALUMINUM CHECKERED PLATE COVER OVER EXIST PUMP PADS.
 2. PROVIDE NEW NEMA 4 JUNCTION BOX. J-BOX SHALL BE LOCATED ON TOP OF EXISTING FILTER 3, FILTER 4 AND SERVICE WATER PUMP CONDUITS AFTER THE MCC HAS BEEN REMOVE. J-BOX SHALL BE USED TO PULL EXISTING FILTER 3 & 4, COILED WRES BACK TO NEW MCC-B IN PUMP STATION. J-BOX SHALL ALSO BE USED TO SPLICE NEW AND EXISTING WIRES FOR SERVICE WATER PUMP AND INSTRUMENTATION.
 3. CIRCUIT NO. DESIGNATED BY NO. SEE SHEET 68 FOR CIRCUIT SCHEDULE.



FENCING SITE PLAN, PUMP STATION
SCALE: 1/8" = 1'



SECTION 1
SCALE: 3/8" = 1'-0"



FENCING SITE PLAN, FILTERS 1 & 2
SCALE: 1" = 20'



IF THIS BAR DOES NOT MEASURE 1" THEN DRAWING IS NOT TO SCALE

RECEIVED
DEC 17 2019
OWRD
799037

CONFORMING TO CONSTRUCTION RECORDS

NO.	DESCRIPTION	DATE	BY
1	LAST AND WEST ACCESS RAMP REVISED FOR FILTER 1	12-01	DME/PJK
2	CONFORMING TO CONSTRUCTION RECORDS	04/23	PJK
3	SEE ACKNOWLEDGMENT AND SIGNATURES		
4	ON OTHER SHEET (DRAW 1)		

DATUM:	N/A	SURVEY:	N/A
HORIZ. SCALE:	AS SHOWN	DESIGN:	JPD
VERT. SCALE:	N/A	DRAWN:	VEE

CITY OF SALEM PUBLIC WORKS DEPARTMENT GREEN ISLAND TREATMENT FACILITY IMPROVEMENTS SLOW SAND FILTER NO. 1 RECONSTRUCTION AND PUMP STATION	CHKD: RJK APPR: RJK P/N: 799037 FILE NO: 799037-29 DWG
--	---

This drawing was originally signed by the indicated City of Salem staff.

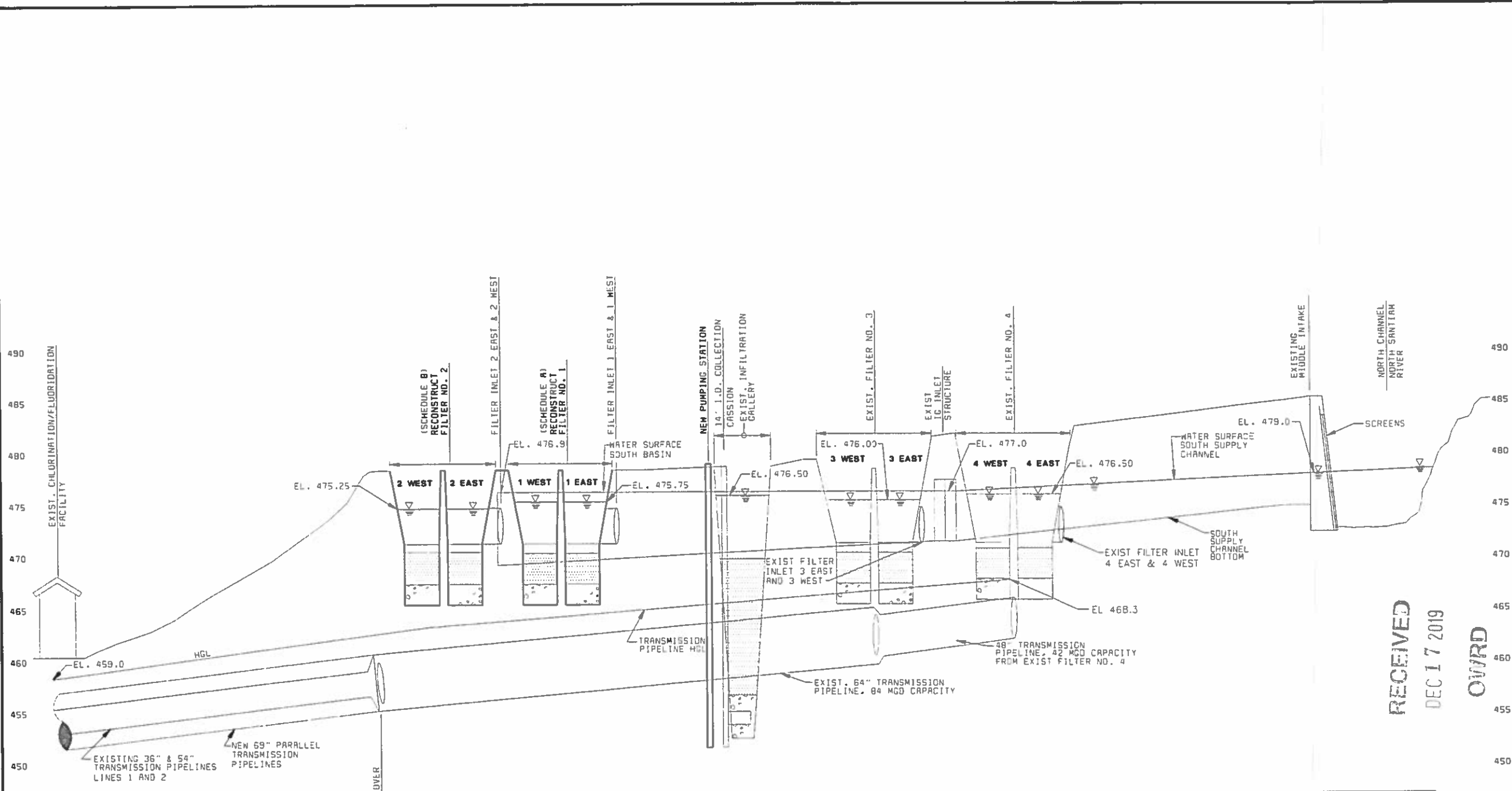
CITY OF SALEM
REVIEWED BY: S. OUS
APPROVED BY: RECH. WISEMANT
DATE: 04/27/01

Black & Veatch
Professional Oregon
REGISTERED PROFESSIONAL ENGINEER IN THE STATE OF OREGON
NO. 15639

B & V PROJECT NO: 28495.0307

13313

28495.000
219-3-29 DWG



HYDRAULIC PROFILE
SCALE: HORIZ: NONE
VERT: 1" = 5'

FACILITY/STRUCTURE	DESIGN CAPACITY	APPROX. WATER EL. AT FACILITY CAPACITY
EXISTING MIDDLE INTAKE	147 MGD (227 CFS)	479.0 (MIN)
EXISTING FILTER (4 EAST & 4 WEST)	21 MGD EACH	476.50
EXISTING FILTER (3 EAST & 3 WEST)	21 MGD EACH	476.00
NEW RECONSTRUCTED FILTER (1 EAST & 1 WEST) (SCHEDULE A)	21 MGD EACH	475.75
FUTURE RECONSTRUCTED FILTER (2 EAST & 2 WEST) (SCHEDULE B)	21 MGD EACH	475.25
PIPELINES AT CHLORINE INJECTION PT. NEAR - W. END OF ISLAND	147 MGD COMBINED	459.0

RECEIVED
DEC 17 2019
OVRD

NOTE: THIS SHEET ONLY. ALL FACILITIES ARE EXISTING UNLESS OTHERWISE NOTED.

799037

WARNING
0 1/2" 1"
IF THIS BAR DOES NOT MEASURE 1" THEN DRAWING IS NOT TO SCALE

CONFORMING TO CONSTRUCTION RECORDS

CITY OF SALEM PUBLIC WORKS DEPARTMENT GEREN ISLAND TREATMENT FACILITY IMPROVEMENTS AND PUMP STATION HYDRAULIC PROFILE		THIS DRAWING WAS ORIGINALLY SEALED BY RANDALL J. KRUEGER, A REGISTERED PROFESSIONAL ENGINEER IN THE STATE OF OREGON NO. 15639	
NO	DESCRIPTION	DATE	BY
1	CONFORMING TO CONSTRUCTION RECORDS	06/03	DMC
2	REVISIONS TO CONSTRUCTION RECORDS		
3	DATE	BY	
4	DATE	BY	
5	DATE	BY	
6	DATE	BY	
7	DATE	BY	
8	DATE	BY	
9	DATE	BY	
10	DATE	BY	
11	DATE	BY	
12	DATE	BY	
13	DATE	BY	
14	DATE	BY	
15	DATE	BY	
16	DATE	BY	
17	DATE	BY	
18	DATE	BY	
19	DATE	BY	
20	DATE	BY	
21	DATE	BY	
22	DATE	BY	
23	DATE	BY	
24	DATE	BY	
25	DATE	BY	
26	DATE	BY	
27	DATE	BY	
28	DATE	BY	
29	DATE	BY	
30	DATE	BY	
31	DATE	BY	
32	DATE	BY	
33	DATE	BY	
34	DATE	BY	
35	DATE	BY	
36	DATE	BY	
37	DATE	BY	
38	DATE	BY	
39	DATE	BY	
40	DATE	BY	
41	DATE	BY	
42	DATE	BY	
43	DATE	BY	
44	DATE	BY	
45	DATE	BY	
46	DATE	BY	
47	DATE	BY	
48	DATE	BY	
49	DATE	BY	
50	DATE	BY	
51	DATE	BY	
52	DATE	BY	
53	DATE	BY	
54	DATE	BY	
55	DATE	BY	
56	DATE	BY	
57	DATE	BY	
58	DATE	BY	
59	DATE	BY	
60	DATE	BY	
61	DATE	BY	
62	DATE	BY	
63	DATE	BY	
64	DATE	BY	
65	DATE	BY	
66	DATE	BY	
67	DATE	BY	
68	DATE	BY	
69	DATE	BY	
70	DATE	BY	
71	DATE	BY	
72	DATE	BY	
73	DATE	BY	
74	DATE	BY	
75	DATE	BY	
76	DATE	BY	
77	DATE	BY	
78	DATE	BY	
79	DATE	BY	
80	DATE	BY	
81	DATE	BY	
82	DATE	BY	
83	DATE	BY	
84	DATE	BY	
85	DATE	BY	
86	DATE	BY	
87	DATE	BY	
88	DATE	BY	
89	DATE	BY	
90	DATE	BY	
91	DATE	BY	
92	DATE	BY	
93	DATE	BY	
94	DATE	BY	
95	DATE	BY	
96	DATE	BY	
97	DATE	BY	
98	DATE	BY	
99	DATE	BY	
100	DATE	BY	

This drawing was originally signed by the indicated City of Salem staff

REVISIONED BY: S. OLDS 04/27/01
APPROVED BY: KEITH WISEMOUNT 04/27/01
CITY OF SALEM



B & V PROJECT NO: 28495 0307