



ROAD FOR PUMP
MAINTENANCE



FIELD IRRIGATION

GOOGLE EARTH
PRINTED 11.20.18

APPLICANT'S PROPERTY BETWEEN
BLACK LINES

13546

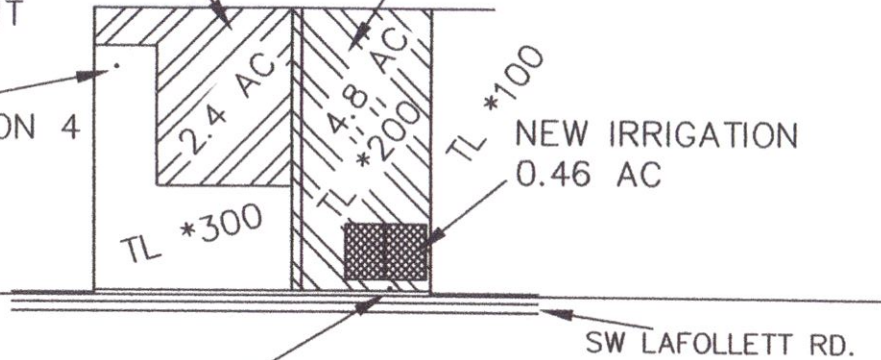
RECEIVED
OCT 26 2020
OWRD

EXISTING IRRIGATION SW SW 1/4

EXISTING IRRIGATION SE SW 1/4

EXISTING DIVERSION POINT
743 FEET N &
1042 FEET EAST
FROM SW CORNER SECTION 4

S. LINE SOLOMON
EMRICK DLC 46

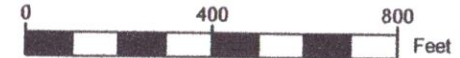


13546

STATISTICS:

AFFECTED 1/4 SEC.	EXIST	NEW
SW 1/4, SW 1/4	2.4 AC	2.4 AC
SE 1/4, SW 1/4	4.8 AC	0.74 AC

NEW DIVERSION (WELL)
351 FEET N & 1590 FEET EAST
FROM SW CORNER OF SECTION 4



LEGEND:

EXISTING IRRIGATED AREA 

IRRIGATED AREA REMAINING
IN TL 1S030400200 

DIVERSION POINT 

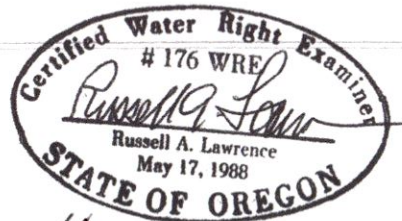
SUBJECT TAX LOT BOUNDARY 

TAX LOT NUMBER *XXX

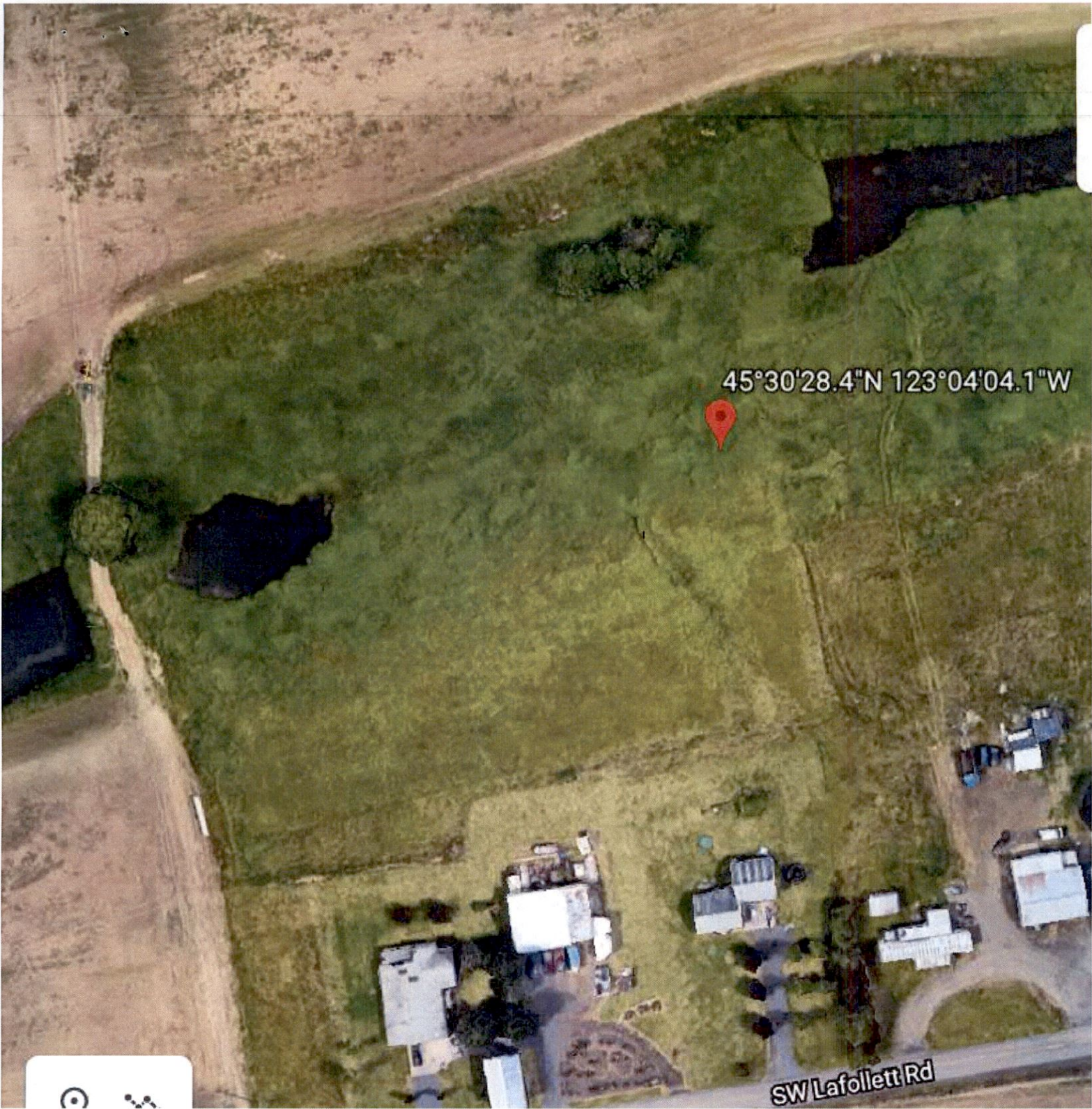
NOTE: * TAX LOTS IN WASHINGTON COUNTY
TAX MAP 1S030400*

RECEIVED
OCT 26 2020
OWRD

TRANSFER APPLICATION MAP
SE 1/4, SW 1/4 SEC. 4, T1S, R3W, W.M.
WASHINGTON COUNTY, OREGON
SOLOMON EMRICK DLC 46
PERMIT 25507, CERTIFICATE 29155
CERTIFICATE DATE NOVEMBER 10, 1961



 **STREAMFIX**
19478 STARVIEW LANE
OREGON CITY, OR 97045
(503) 781-4885



45°30'28.4"N 123°04'04.1"W

SW Lafollett Rd

13546



45°30'28.4"N 123°... ✕
45.507900, -123.067802
45.51°N, 123.07°W



1000



13546

Fred C. Jesse
Rt #2 Box 483 Cornelius, Ore
Sec 4, T15, R3W. W.M.
7² acres to be Irrigated
Scale 1" = 660'

R3W. W.M.

