

DESCHUTES COUNTY
SEC.15 T14S R13E

RECEIVED

DEC 18 2020

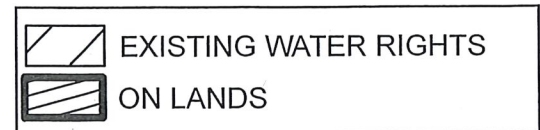
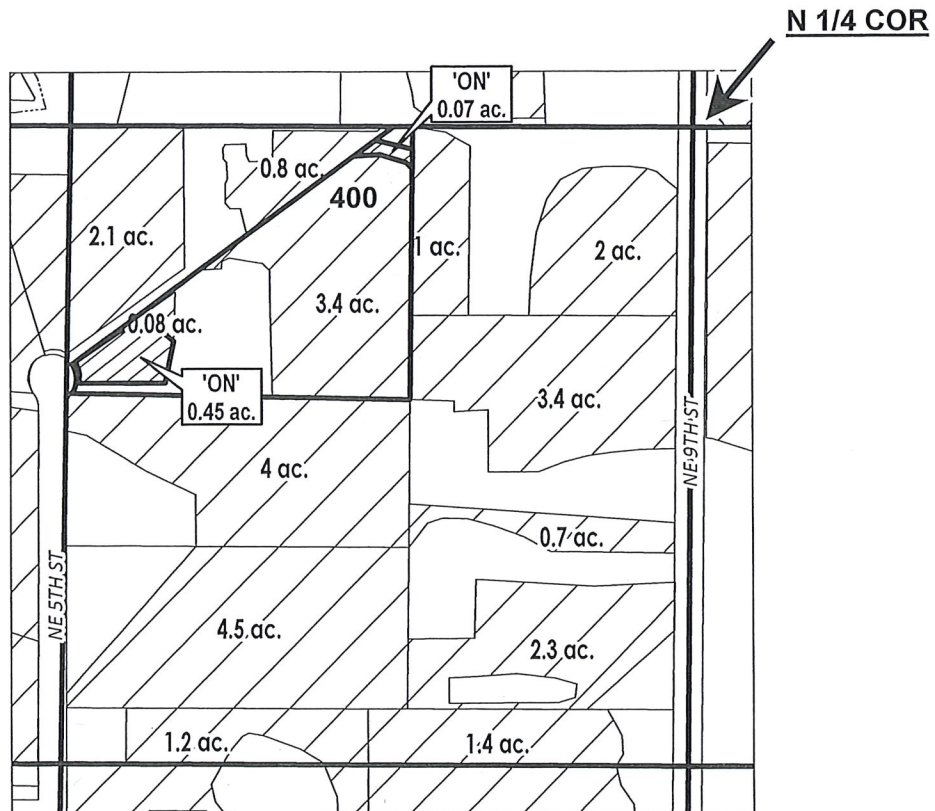
OWRD

SCALE - 1" = 400'



NE 1/4 OF THE NW 1/4

OWRD #: T-13239



FINAL PROOF MAP

NAME: Ralph, Jeff/Jamie

TAXLOT #: 400

0.52 ACRES

Date: 9/30/2020

DESCHUTES COUNTY
SEC.26 T14S R13E

RECEIVED

DEC 18 2020

OWRD

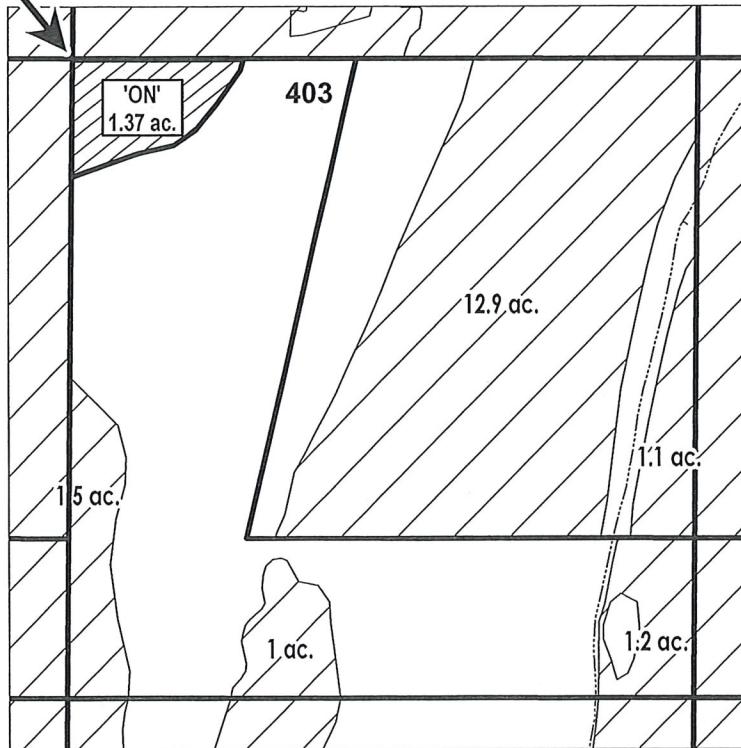
SCALE - 1" = 400'



NW 1/4 OF THE SE 1/4

OWRD #: T-13239

C 1/4 COR



| | |
|--|-----------------------|
| | EXISTING WATER RIGHTS |
| | ON LANDS |



FINAL PROOF MAP

NAME: Russell, Zachary

TAXLOT #: 403

1.37 ACRES

Date: 9/30/2020

DESCHUTES COUNTY SEC.25 T15S R12E

RECEIVED

DEC 18 2020

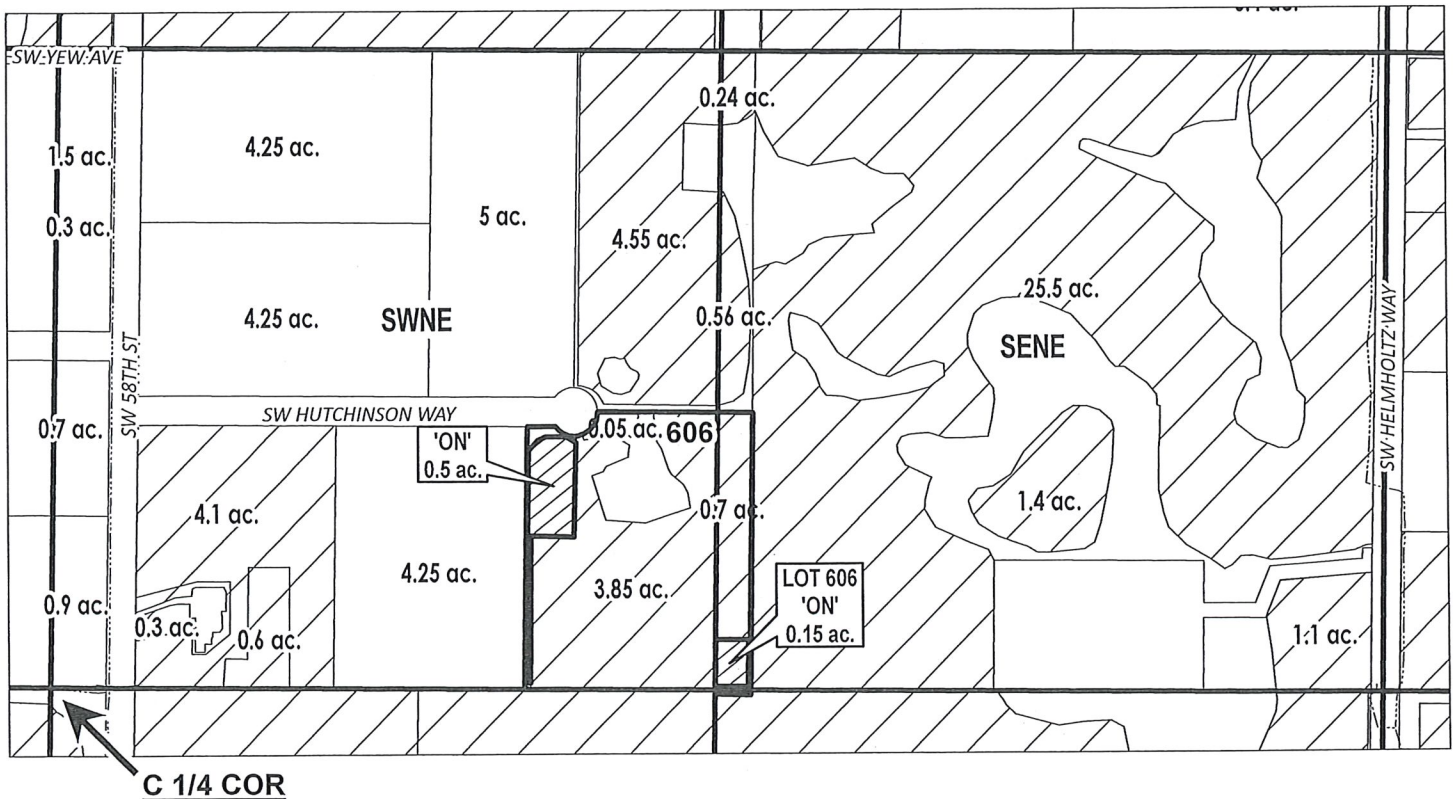
SCALE - 1" = 400'

OWRD



SW 1/4 OF THE NE 1/4; SE 1/4 OF THE NE 1/4

OWRD #: T-13239



- EXISTING WATER RIGHTS
- 'ON' LANDS
- # ac. PARCELS W/ WATER RIGHTS



FINAL PROOF MAP

NAME: Whittaker, James/Deborah

TAXLOT #: 606

0.65 ACRES

Date: 9/30/2020

DESCHUTES COUNTY SEC.11 T17S R12E

RECEIVED

DEC 18 2020

OWRD

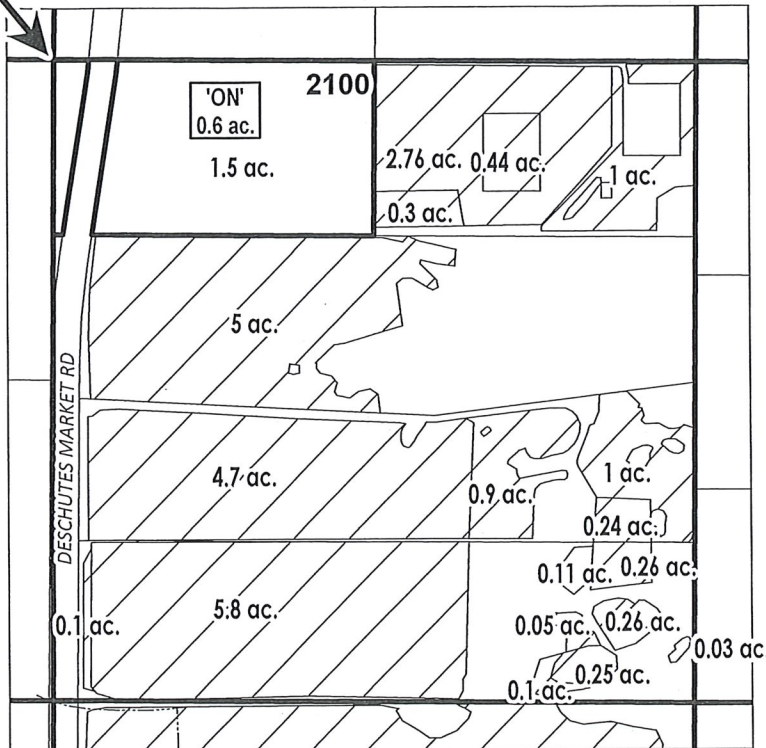
SCALE - 1" = 400'



NW 1/4 OF THE NE 1/4

OWRD #: T-13239

N 1/4 COR



| | |
|--|-------------------------|
| | EXISTING WATER RIGHTS |
| | 'ON' LAND PARCELS |
| | PARCELS W/ WATER RIGHTS |



FINAL PROOF MAP

NAME: Wallace, Dan

TAXLOT #: 2100

0.6 ACRES

Date: 9/30/2020

RECEIVED

DEC 18 2020

OWRD

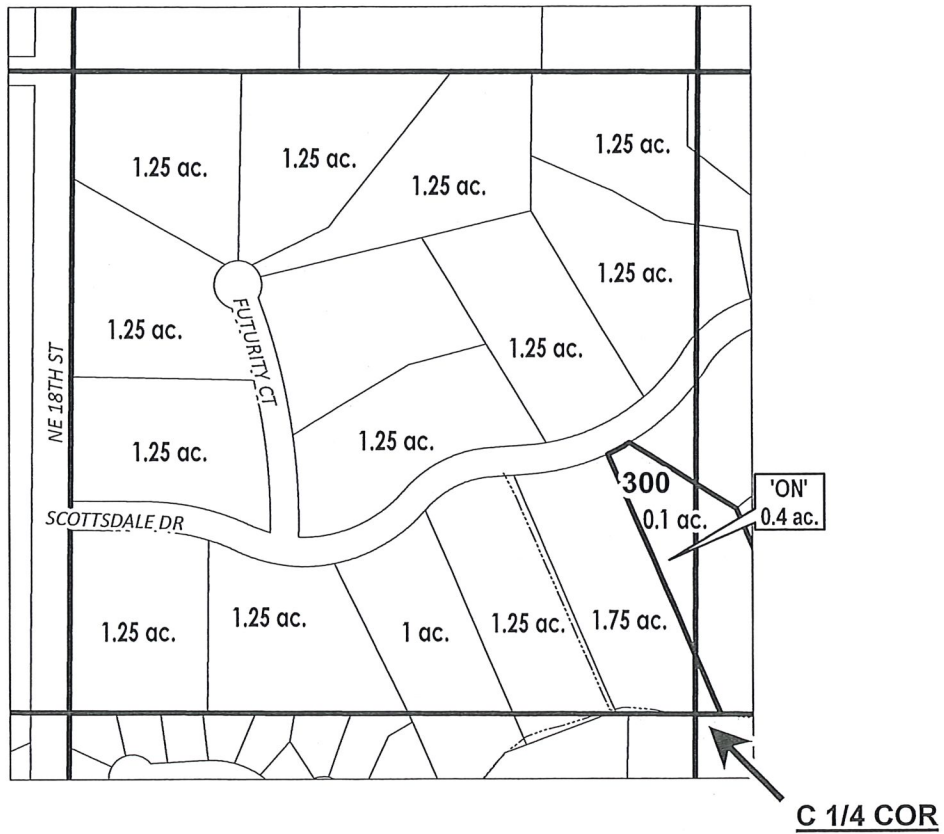
DESCHUTES COUNTY SEC.15 T17S R12E

SCALE - 1" = 400'



SE 1/4 OF THE NW 1/4

OWRD #: T-13239



| | |
|-------|-------------------------|
| # ac. | PARCELS W/ WATER RIGHTS |
| # ac. | 'ON' LAND PARCELS |



FINAL PROOF MAP

NAME: Sickler, Stephen/Fletcher, Lori

TAXLOT #: 300

0.4 ACRES

Date: 9/30/2020

DESCHUTES COUNTY SEC.24 T17S R12E

SCALE - 1" = 400'



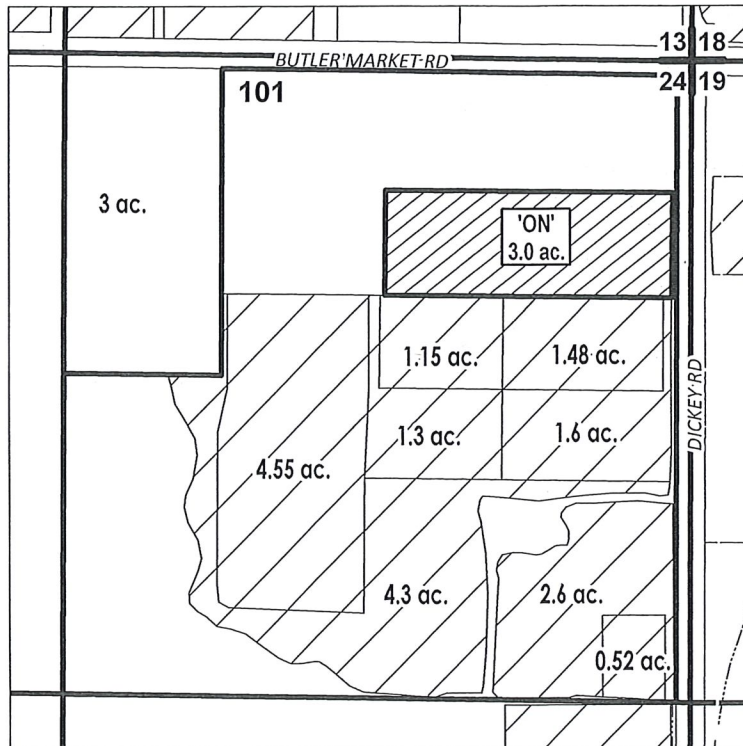
NE 1/4 OF THE NE 1/4

RECEIVED

DEC 18 2020

OWRD

OWRD #: T-13239



| | |
|-------|-------------------------|
| # ac. | PARCELS W/ WATER RIGHTS |
| | EXISTING WATER RIGHTS |
| | ON LANDS |



FINAL PROOF MAP

NAME: Gordon, Joshua

TAXLOT #: 101

3.0 ACRES

Date: 9/30/2020

DESCHUTES COUNTY
SEC.03 T18S R13E

RECEIVED

DEC 18 2020

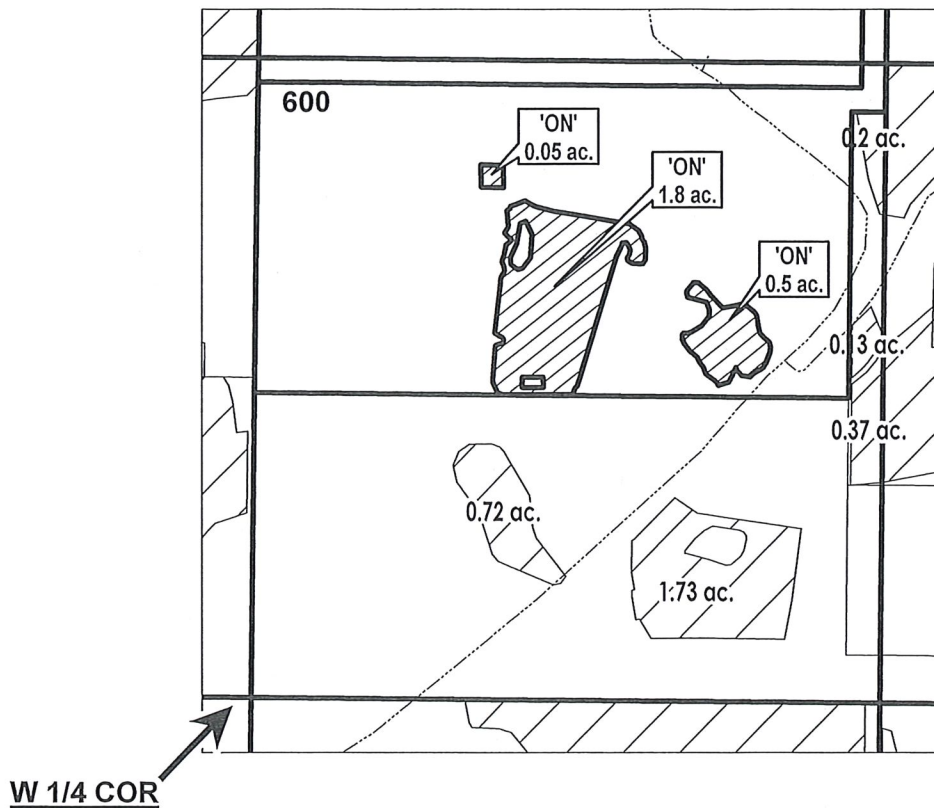
OWRD



SCALE - 1" = 400'



SW 1/4 OF THE NW 1/4

OWRD #: T-13239



| | |
|---|-----------------------|
|  | EXISTING WATER RIGHTS |
|  | ON LANDS |



FINAL PROOF MAP

NAME: Berkey, Erik

TAXLOT #: 600

2.35 ACRES

Date: 9/30/2020