

SEC 10

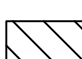
SEC 11

WELL 62A - 560' N AND  
1450' E FROM THE SW  
COR OF SEC 10

LINDSAY RANCH  
TEMPORARY TRANSFER  
APPLICATION MAP  
FOR A PORTION OF  
CERTs 80507 & 97872  
T2N, R26E, W. M., MORROW CO.  
SHEET 1  
FROM MAP'

LEGEND

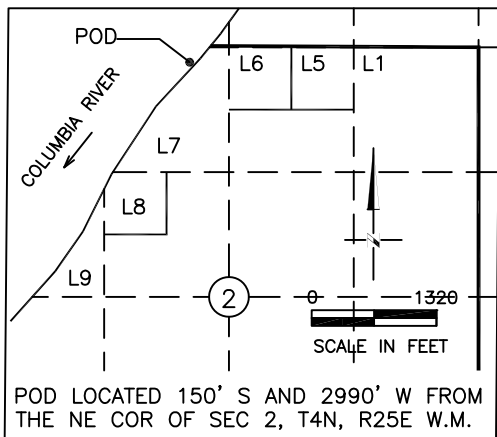
 AREA BEING TRANSFERRED  
PRIMARY CERT 80507 AND  
SUPP CERT 91872

 A PORTION OF PRIMARY  
CERT 80507 AND SUPP  
CERT 91872 NOT INVOLVED  
IN THIS TRANSFER

AUTHORIZED POAs - CERT 80507  
3 WELLS

- WELLS 62, 62A THIS SHEET  
FOR WELL 62B REFER TO SHEET 2

AUTHORIZED POD - CERT 94872



WELL 62 - 3700' S AND  
1790' E FROM THE NW  
COR OF SEC 23

T-13986

E-RECEIVED  
5/12/2022  
OWRD

NOTE:  
THE PURPOSE OF THIS MAP IS TO IDENTIFY THE APPROXIMATE LOCATION OF THE WATER RIGHT. IT IS NOT  
INTENDED TO PROVIDE INFORMATION RELATIVE TO THE LOCATION OF PROPERTY OWNERSHIP BOUNDARY LINES.

DGV Consulting, PLLC  
Date: April 5, 2022

SEC 33

SEC 34

TL 2300

T3N  
T2N

TL 1511

TL 1512

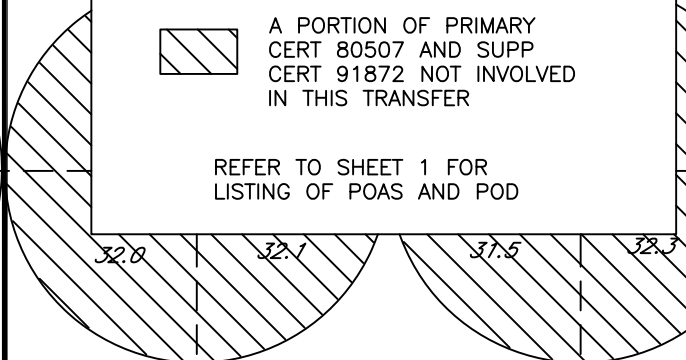
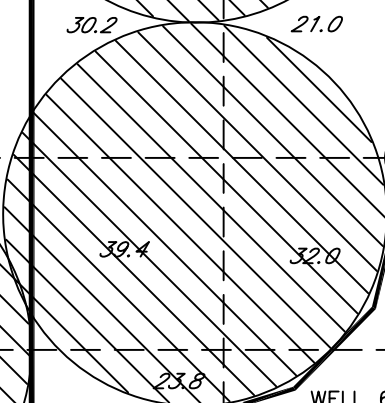
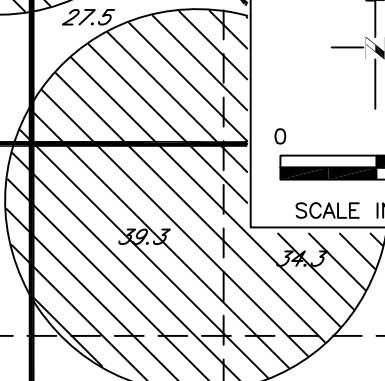
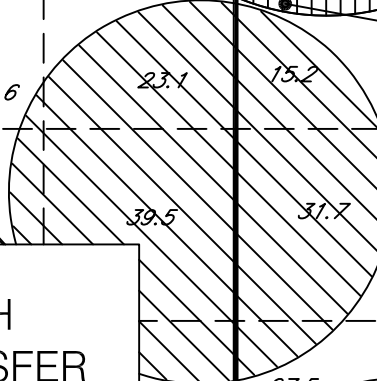
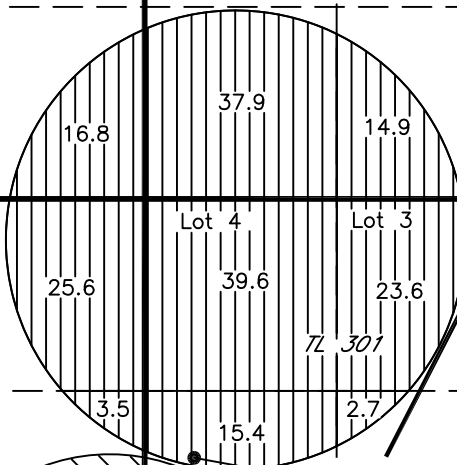
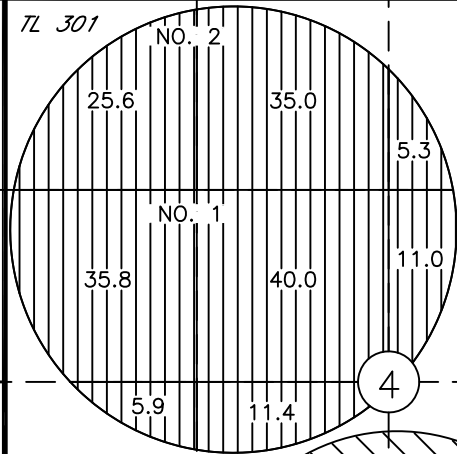
TL 301

NO. 2

Lot 4

Lot 3

Lot 2




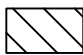
WELL 62b - 3500' N AND 350' E FROM THE SW COR OF SEC 3

WELL 62A - 560' N AND 1450' E FROM THE SW COR OF SEC 10

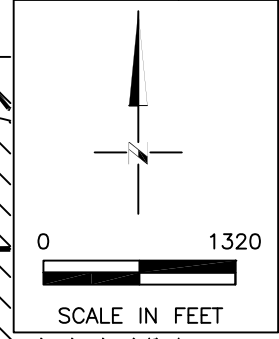
LINDSAY RANCH  
 TEMPORARY TRANSFER  
 APPLICATION MAP  
 FOR A PORTION OF  
 CERTs 80507 & 97872  
 T2N & T3N, R26E, W. M., MORROW CO.

SHEET 2  
 'TO MAP'

LEGEND

-  AREA RECEIVING TRANSFERRED WATER PRIMARY CERT 80507 AND SUPP CERT 91872
-  A PORTION OF PRIMARY CERT 80507 AND SUPP CERT 91872 NOT INVOLVED IN THIS TRANSFER

REFER TO SHEET 1 FOR LISTING OF POAS AND POD



LINDSAY FEEDLOT LN

E-RECEIVED  
 5/12/2022  
 OWRD

T-13986

NOTE:  
 THE PURPOSE OF THIS MAP IS TO IDENTIFY THE APPROXIMATE LOCATION OF THE WATER RIGHT. IT IS NOT INTENDED TO PROVIDE INFORMATION RELATIVE TO THE LOCATION OF PROPERTY OWNERSHIP BOUNDARY LINES.

DGV Consulting, PLLC  
 Date: April 5, 2022