

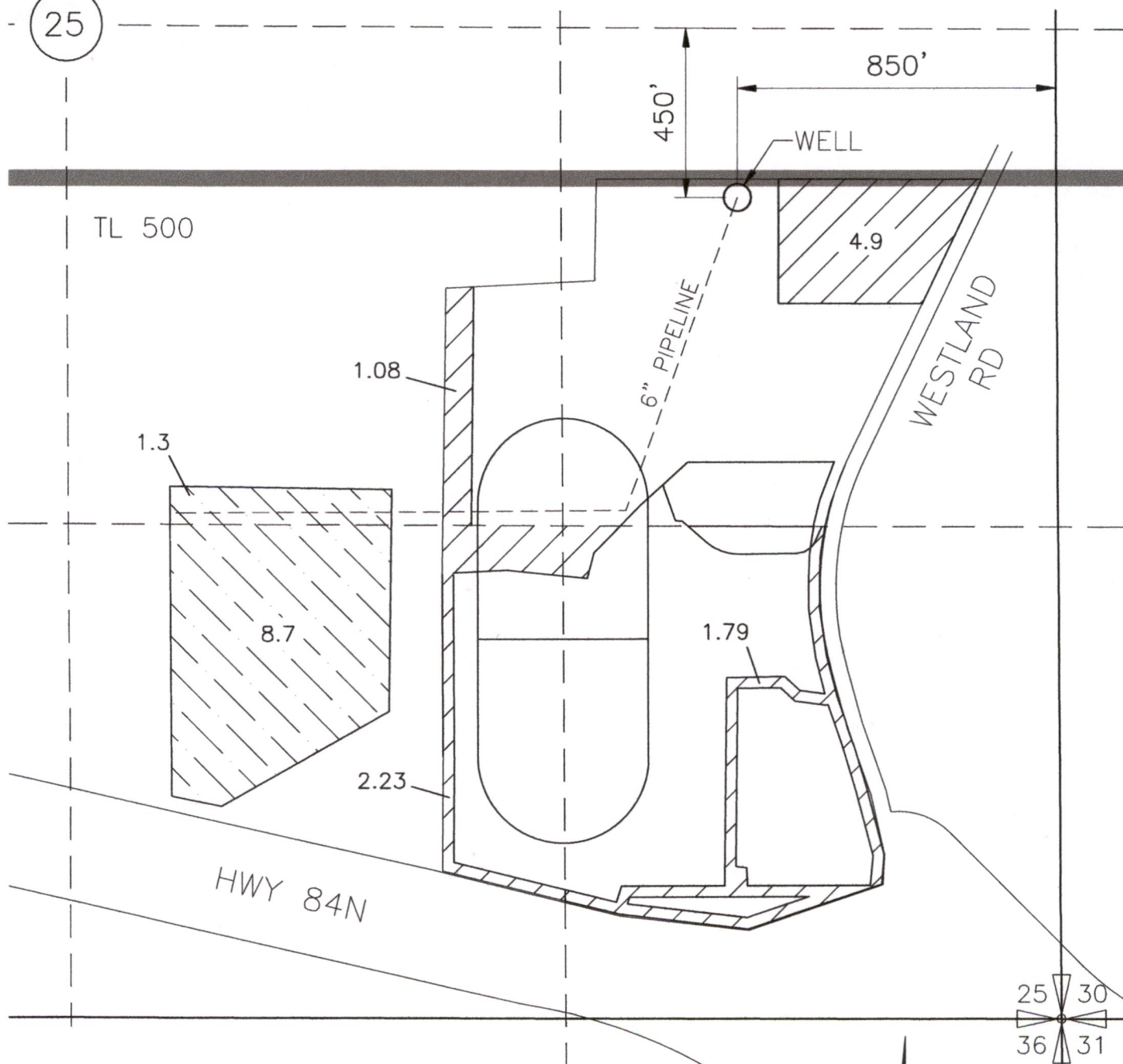
RECEIVED

DEC 21 2023

QWRD

BRYCE POLLOCK  
2024 TEMPORARY TRANSFER  
A PORTION OF CERTIFICATE 76617  
T4N, R27E WM

25



FROM  10.0 AC TO  10.0 AC  TAX LOT LINE

0 200 400  
SCALE IN FEET

25 30  
36 31

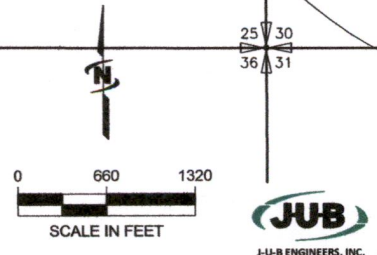
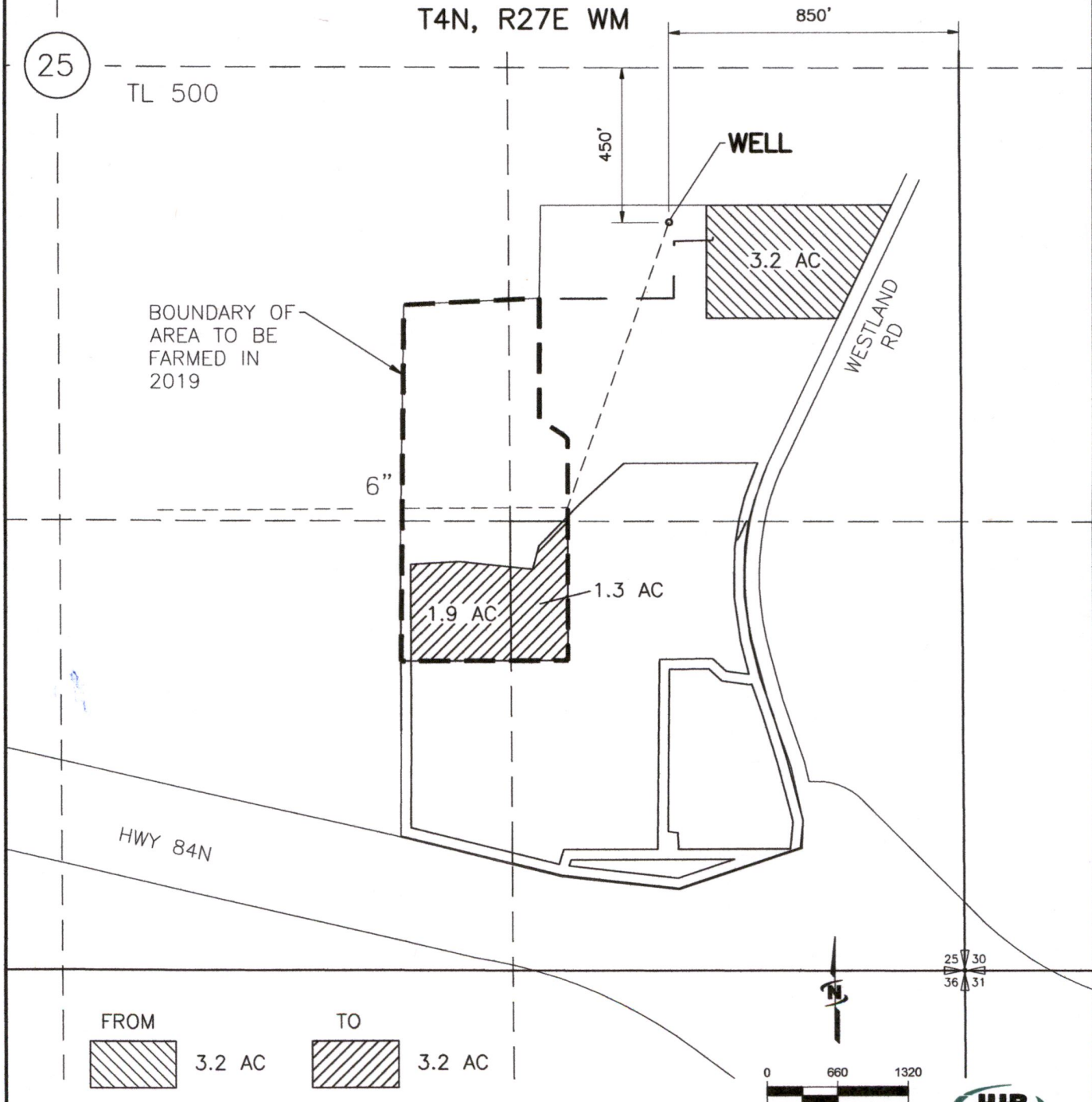


NOTE:  
THE PURPOSE OF THIS MAP IS TO IDENTIFY THE APPROXIMATE LOCATION OF THE WATER RIGHT. IT IS NOT INTENDED TO PROVIDE INFORMATION RELATIVE TO THE LOCATION OF PROPERTY OWNERSHIP BOUNDARY LINES.

DRAWING: \\Kwkfiles\Public\Project\30-08-016 - Porfily Water Rights Consulting\00 Misc Engineering\Cad\POLLOCK\30-08-016 POLLOCK 2024.dwg  
PRINTED BY: kvaldovinos on 12/05/23 03:15 PM

14373 -

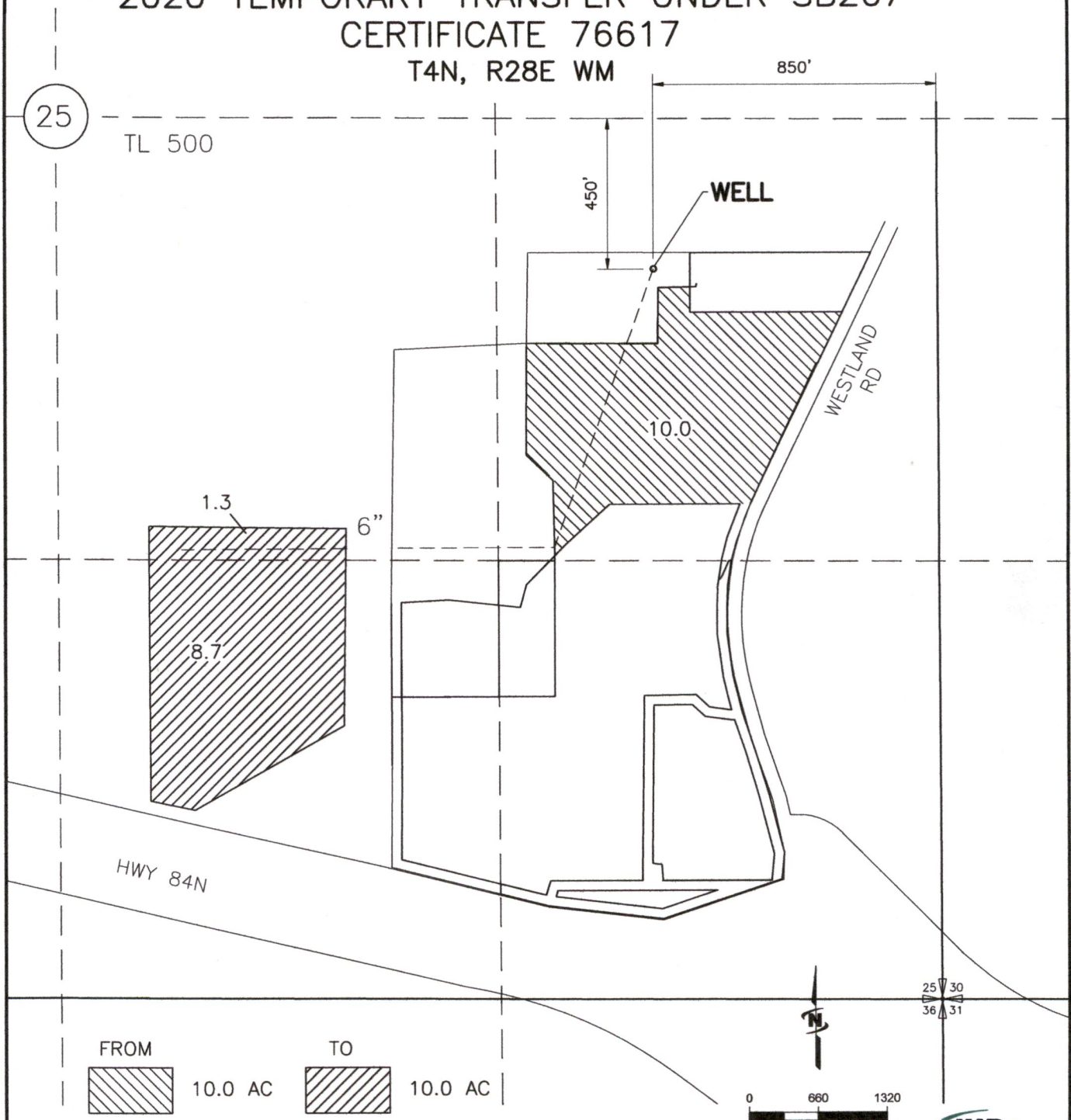
WESTLAND IRRIGATION DISTRICT  
 SAM POLLOCK  
 2019 TEMPORARY TRANSFER UNDER SB267  
 CERTIFICATE 76617  
 T4N, R27E WM



NOTE:  
 THE PURPOSE OF THIS MAP IS TO IDENTIFY THE APPROXIMATE LOCATION OF THE WATER RIGHT. IT IS NOT INTENDED TO PROVIDE INFORMATION RELATIVE TO THE LOCATION OF PROPERTY OWNERSHIP BOUNDARY LINES.  
 DRAWING: \\KWKFILES\Public\Project\30-08-016 - Porfily Water Rights Consulting\--00 Misc Engineering\Cad\POLLOCK\30-08-016 POLLOCK FROM 2019 tt.dwg  
 PRINTED BY: rwillard on 04/09/19 09:57 AM

RECEIVED  
 DEC 21 2023

WESTLAND IRRIGATION DISTRICT  
 SAM POLLOCK  
 2020 TEMPORARY TRANSFER UNDER SB267  
 CERTIFICATE 76617  
 T4N, R28E WM



NOTE:  
 THE PURPOSE OF THIS MAP IS TO IDENTIFY THE APPROXIMATE LOCATION OF THE WATER RIGHT. IT IS NOT  
 INTENDED TO PROVIDE INFORMATION RELATIVE TO THE LOCATION OF PROPERTY OWNERSHIP BOUNDARY LINES.

DRAWING: \\KWKFILES\Public\Project\30-08-016 - Porfily Water Rights Consulting\--00 Misc Engineering\Cad\POLLOCK\30-08-016 POLLOCK FROM 2020 tt.dwg  
 PRINTED BY: rwillard on 04/21/20 02:33 PM

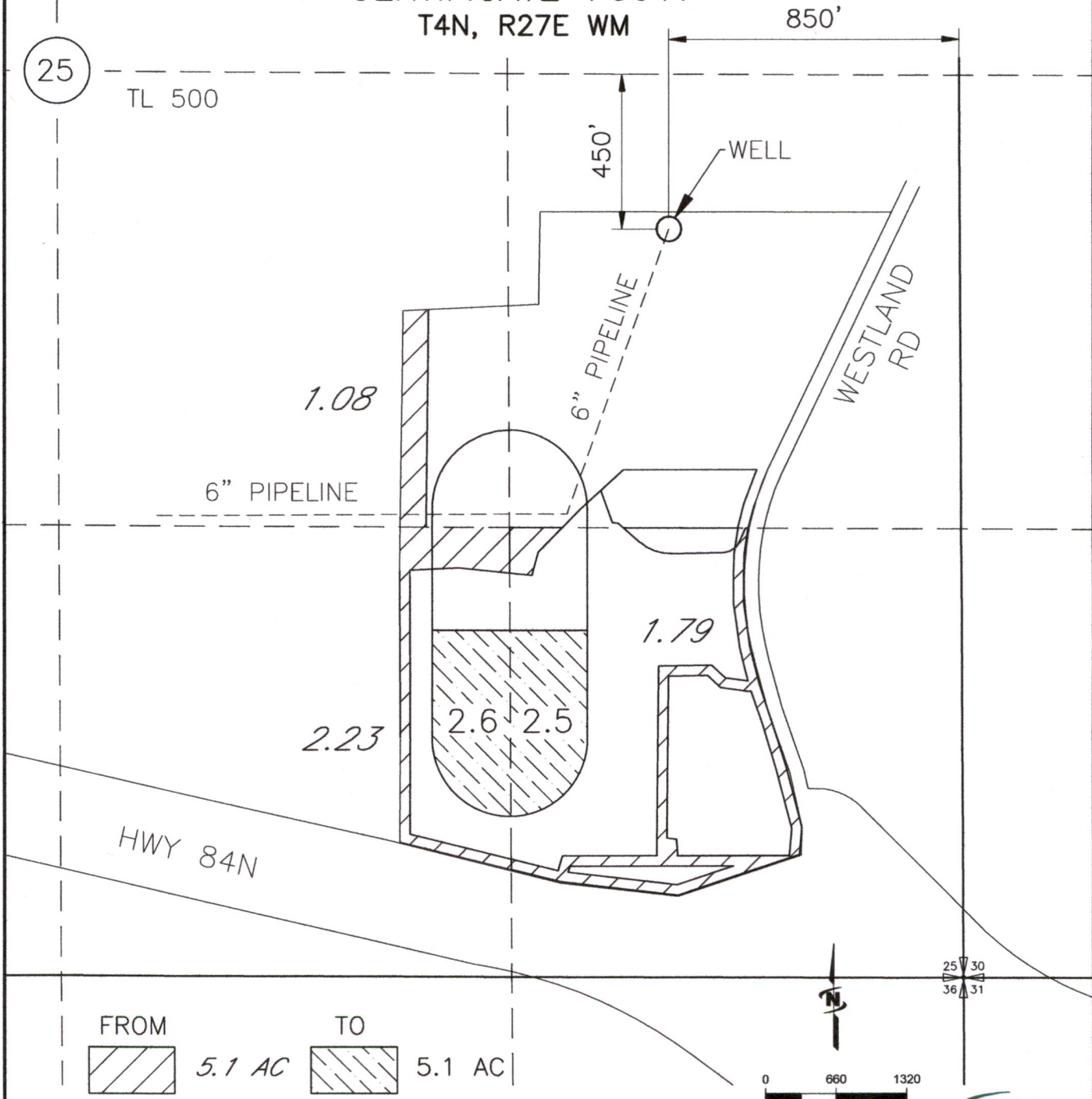
RECEIVED

DEC 21 2023

OWRD

14373 -

WESTLAND IRRIGATION DISTRICT  
 SAM POLLOCK  
 2021 TEMPORARY TRANSFER UNDER SB267  
 CERTIFICATE 76617  
 T4N, R27E WM



NOTE:

THE PURPOSE OF THIS MAP IS TO IDENTIFY THE APPROXIMATE LOCATION OF THE WATER RIGHT. IT IS NOT INTENDED TO PROVIDE INFORMATION RELATIVE TO THE LOCATION OF PROPERTY OWNERSHIP BOUNDARY LINES.

DRAWING: \\KWKFILES\Public\Project\30-08-016 - Porfity Water Rights Consulting\00 Misc Engineering\Cad\POLLOCK\30-08-016 POLLOCK 2021.dwg  
 PRINTED BY: kvaldovinas on 04/06/21 02:28 PM

RECEIVED

DEC 21 2023

OWRD

14373 -