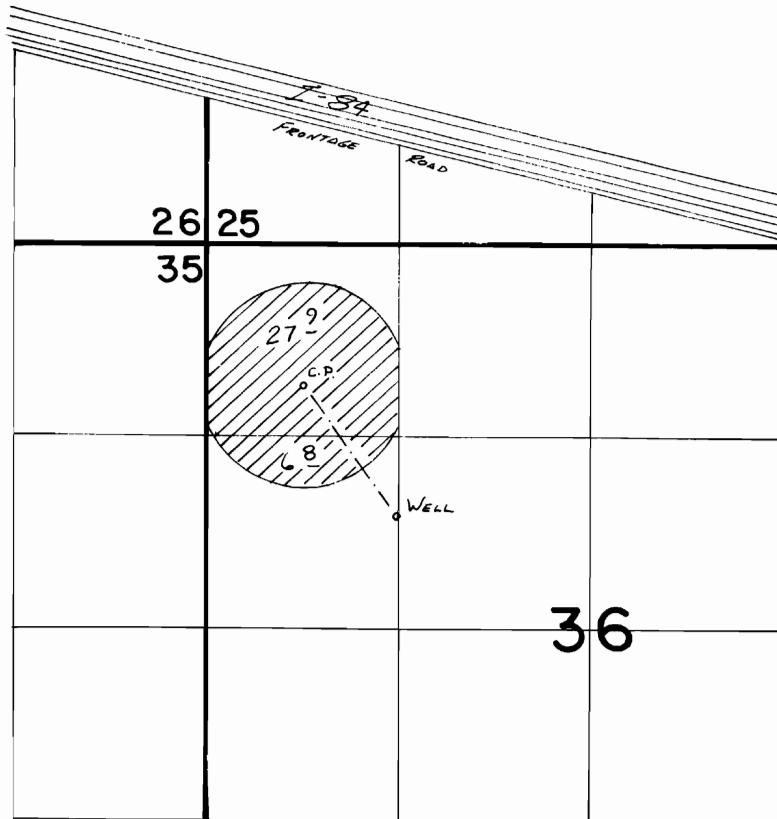


T.4N., R.27E., W.M.



**FINAL PROOF SURVEY**  
UNDER

**TRANSFER 4152**

IN NAME OF

**STAFFORD HANSELL**

Surveyed Feb. 16, 1983, by J. B. Church