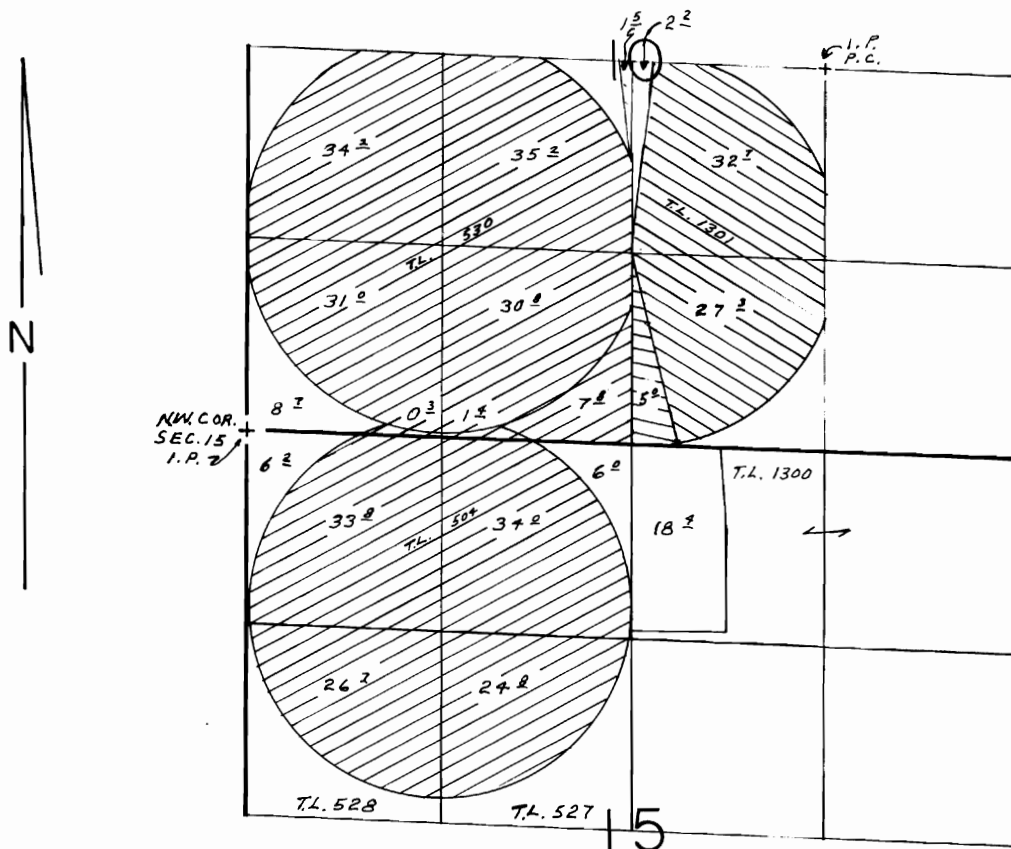





T.16S., R.14E., W.M.



SCALE : 1" = 1320'

FINAL PROOF SURVEY

UNDER

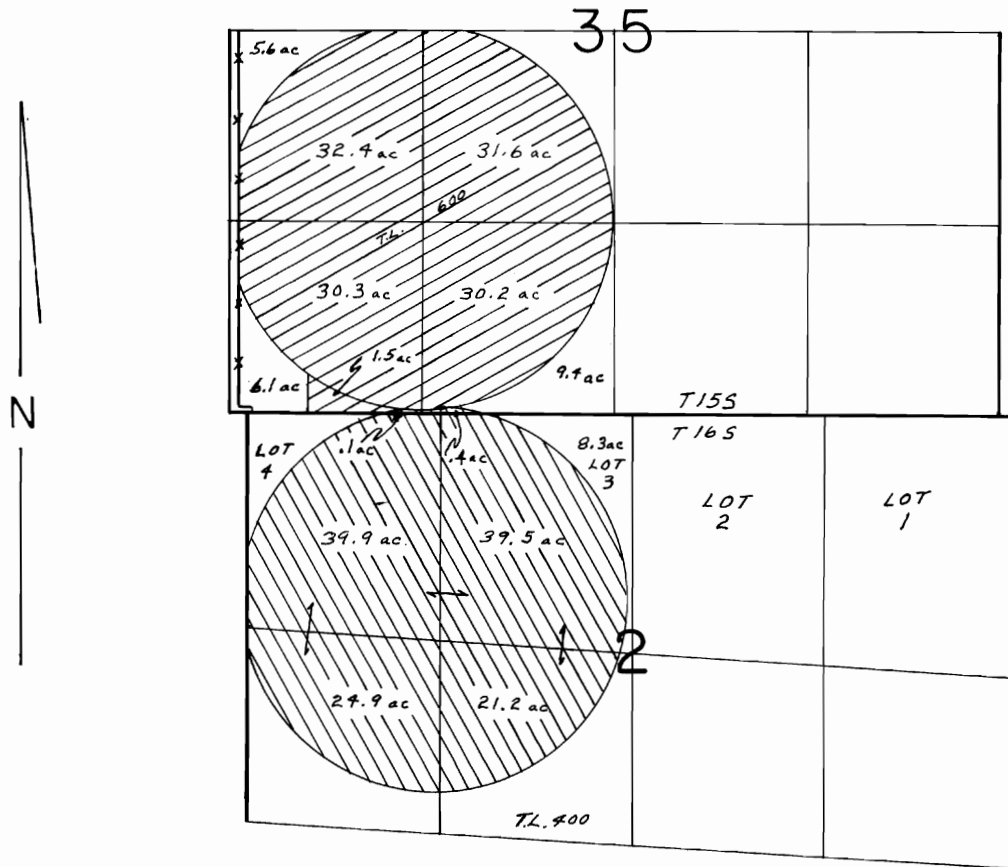
TRANSFER	4238		
"	4239		PORTION ONLY
"	4985		

IN NAME OF

WAMPLER & WERTH FARMS

Surveyed SEPT. 14, 1984, by L. OLSON
OCT. 3, 1984



T.15 & 16S., R.14E., W.M.



SCALE: 1" = 1320'

FINAL PROOF SURVEY

UNDER

TRANSFER	4345		
"	4239		PORION ONLY

IN NAME OF

WAMPLER & WERTH FARMS

Surveyed OCT. 3 19.84, by L. OLSON