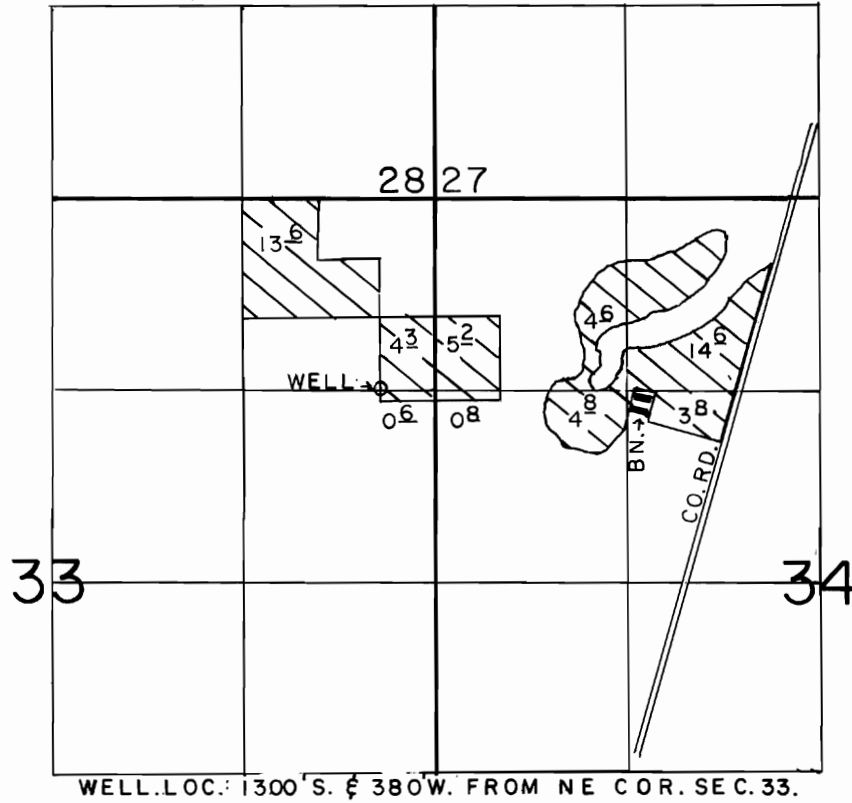


T. 40S., R. 12E., W.M.



SCALE: 1" = 1320'

FINAL PROOF SURVEY
UNDER

TRANSFER NO. 4879

IN NAME OF

MICHAEL J. & CHARLES MAULIFFE,

Surveyed OCT. 17, 1990, by B.W. BISHOP...