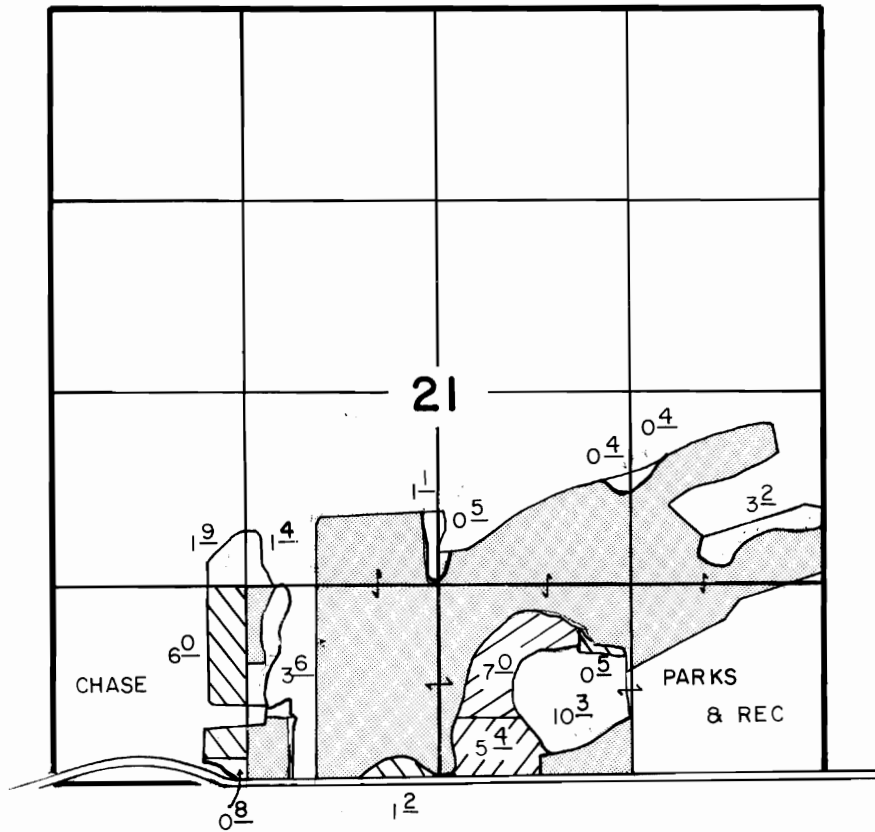







# T.16S., R.11E., W.M.



-  Cert. 26508, by transfer
-  " 26050 "
-  " 31410 "
-  " 26508, 26050, 31410, by adjudication
-  overacreage

## FINAL PROOF SURVEY UNDER

Transfer 5088

IN NAME OF

### PHIL CHASE ; BEND METRO PARKS

Surveyed SEPT. 5, 19.85, by L. OLSON.....