

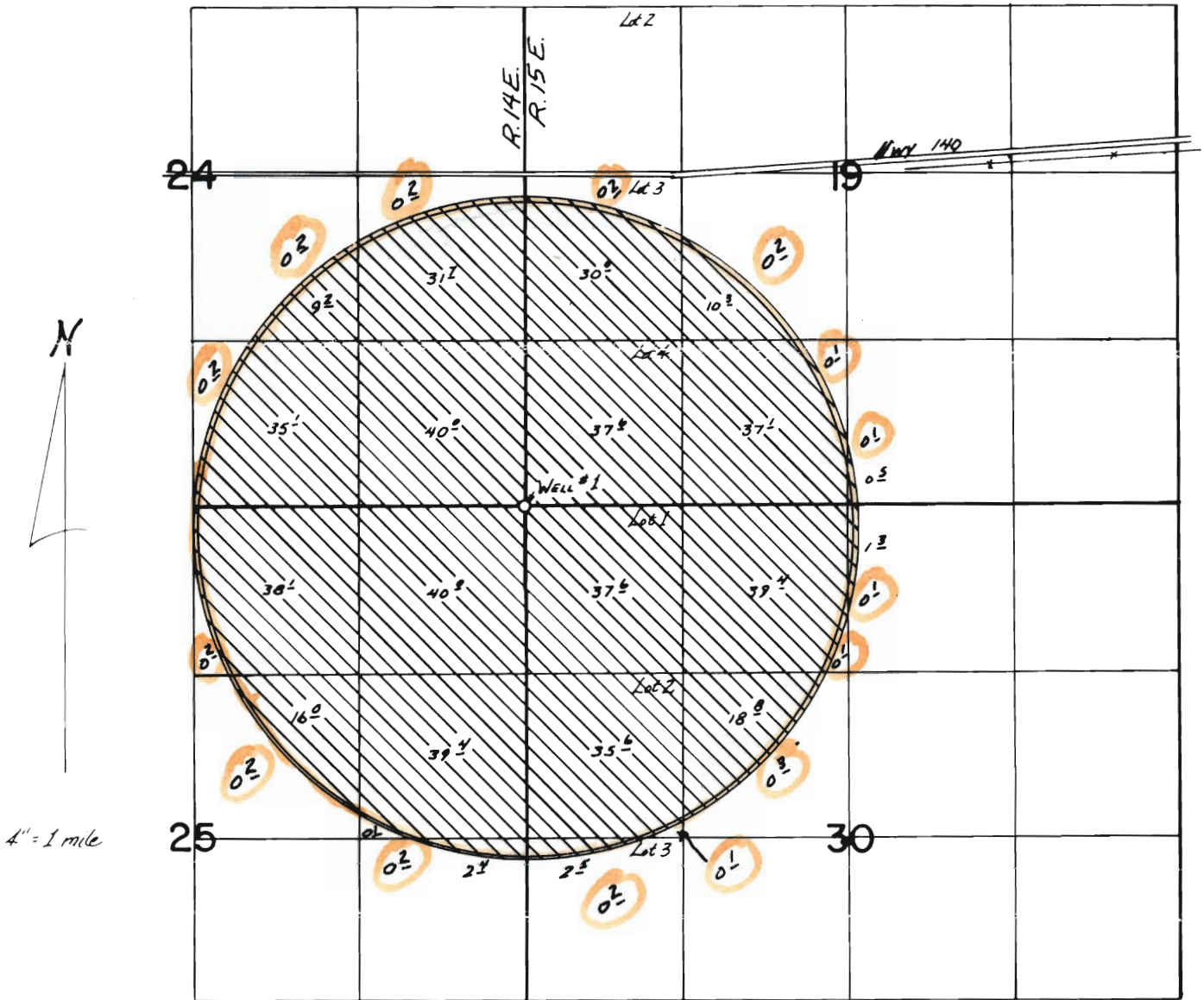
T.28S.,R.14&15E.,W.M.

T-5488

RECEIVED

MAY 29 1984

WATER RESOURCES DEPT
SALEM, OREGON



FINAL PROOF SURVEY
UNDER

AREA TO BE TRANSFERRED

Application No. G-7693 Permit No. G-7242
IN NAME OF

EMERY LIVESTOCK CO.

Surveyed May 14, 1984 by DENNIS GLENDER