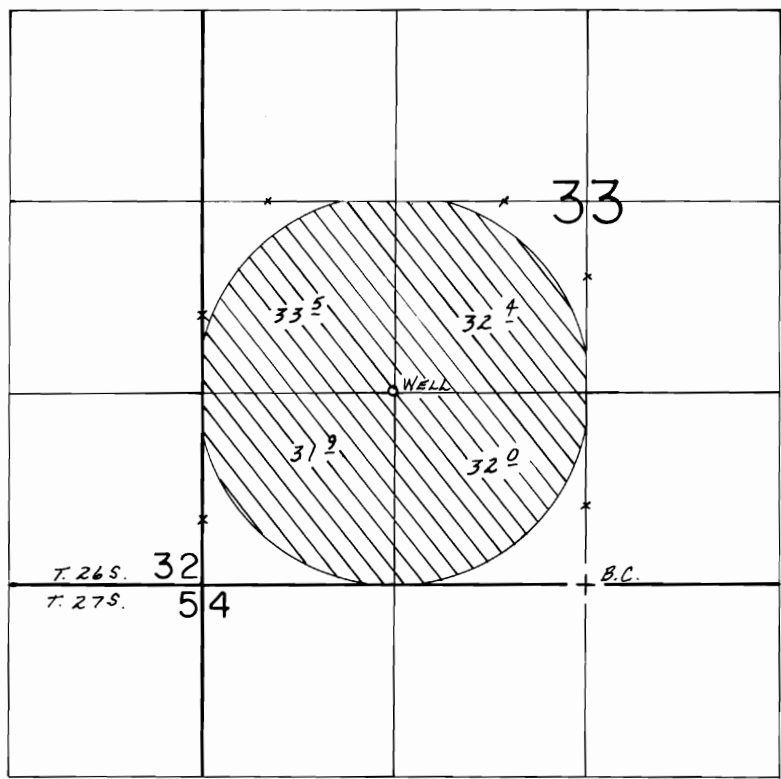


T.26 & 27S., R.15E., W.M.



WELL LOC.: 1330' N. & 1330' W. FROM S 1/4 COR. SEC. 33.

SCALE: 1" = 1320'

FINAL PROOF SURVEY
UNDER

Transfer No. 5817

IN NAME OF

.....THE POPLARS RANCH, INC.....

Surveyed June 7, 1988, by B.W. BISHOP.....