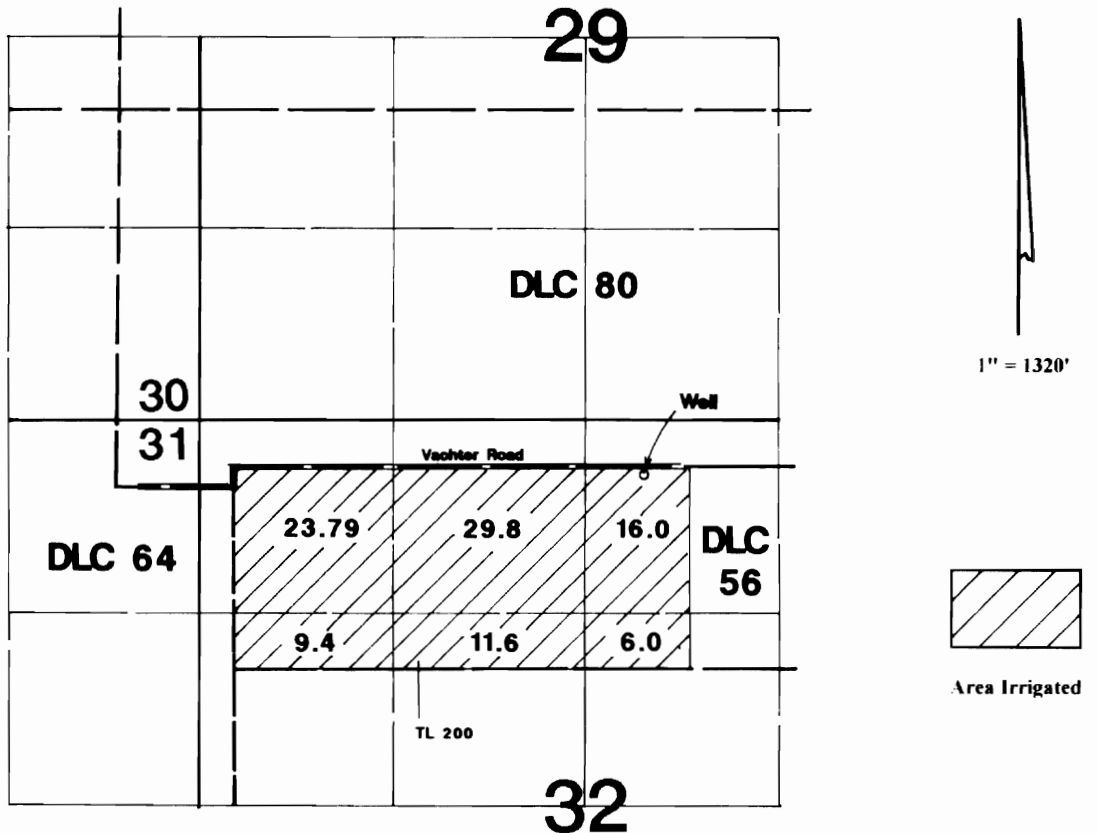


# T.4S. R.2W., W.M



Well is located 400's & 400'E from N1/4 corner of Section 32.

## Final Proof Survey

Transfer #: T-6617

In Name Of

### Coleman Farms

Surveyed on October 2, 2001 by JM Schuette

This Map Was Prepared For The Purpose Of Identifying The Location Of A Water Right Only And Is Not Intended To Provide Legal Dimensions Or Location Of Property Ownership Lines.

