

FINAL PROOF SURVEY MAP

RECEIVED

FOR

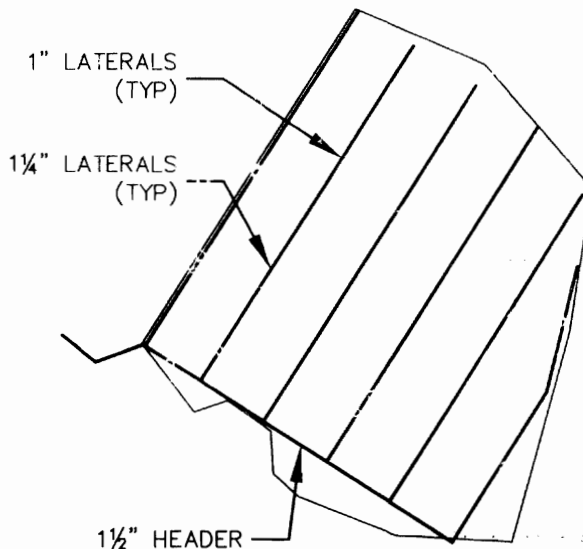
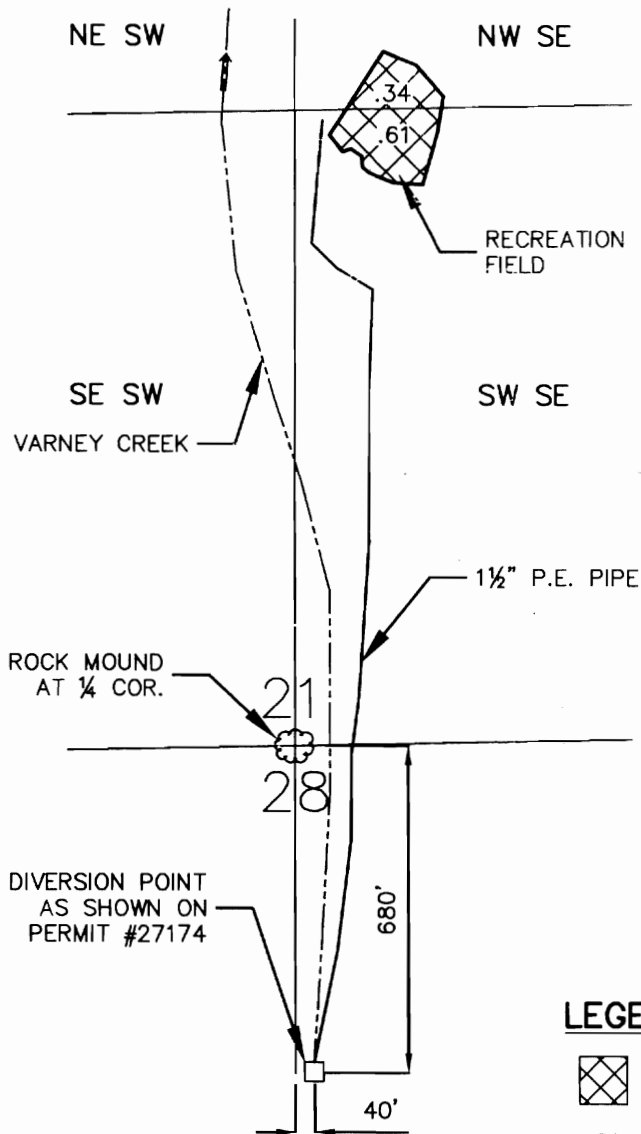
MOUNTAIN LAKES BIBLE CAMP

SEP 29 1997

LOCATED IN THE NW ¼ SE ¼, AND IN THE SW ¼ SE ¼, SEC. 21, T.36S., R.06E., W.M. WATER RESOURCES DEPT. SALEM, OREGON

KLAMATH COUNTY, OREGON

TRANSFER 6640



RECREATION FIELD DETAIL

NTS



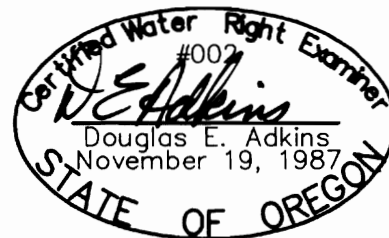
SCALE: 1" = 400'

LEGEND



IRRIGATED ACREAGE

.61 ACRES PER ¼ ¼



EXPIRES 12/31/97



THIS MAP IS FOR THE PURPOSE OF IDENTIFYING THE LOCATION OF THE WATER RIGHT ONLY AND HAS NO INTENT TO PROVIDE DIMENSIONS OR LOCATION OF PROPERTY LINES.

Engineers ▲ Planners ▲ Surveyors

2950 Shasta Way • Klamath Falls, Oregon 97603 • (541) 884-4666 • FAX (541) 884-5335

September 15, 1997

Klamath Falls, OR • Medford, OR • Alturas, CA

JOB No. 1509-01