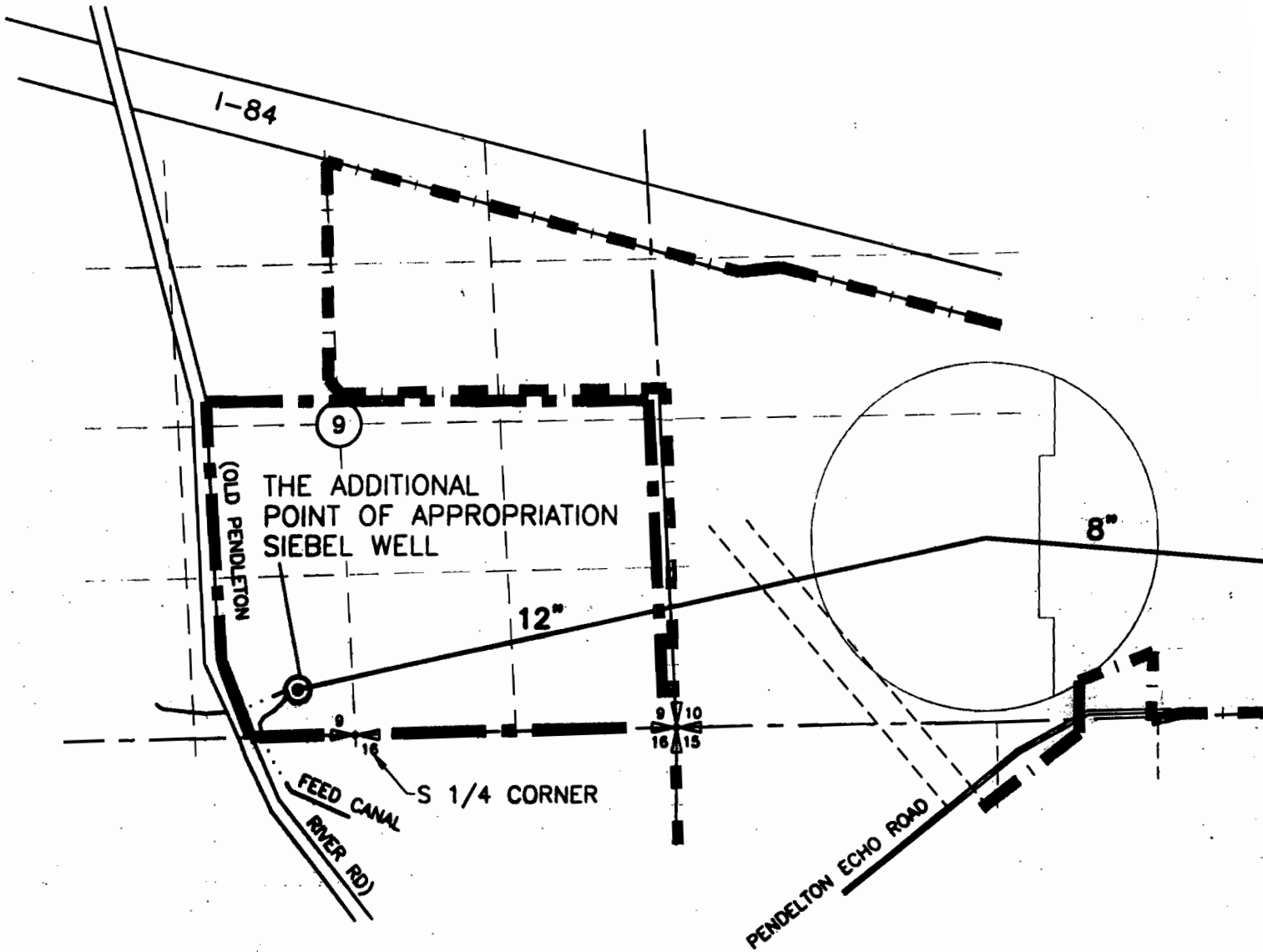


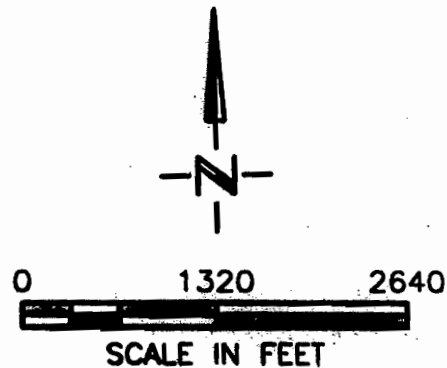
FINAL PROOF SURVEY  
 UNDER  
 T-7753  
 IN THE NAME OF  
 RICK L HALE  
 T3N, R29E, WM

RECEIVED  
 MAR 22 1999  
 WATER RESOURCES DEPT.  
 SALEM, OREGON



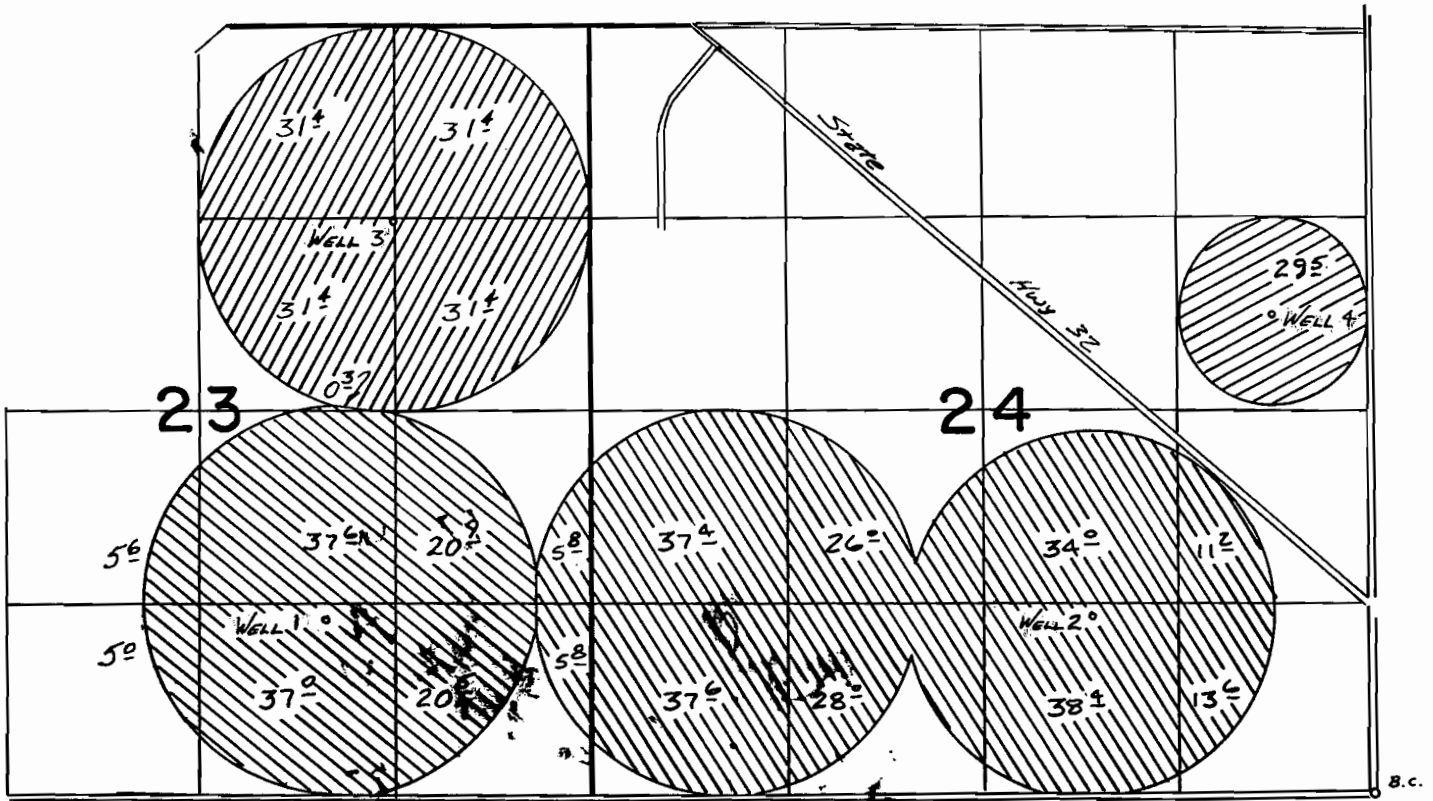
SIEBEL WELL 400' NORTH AND 360' WEST  
 FROM S 1/4 CORNER SEC 9 T3N R 29E W.M.

Certified Water Right Examiner  
 #333 WRE  
*Dale G. VanSchoiack*  
 Dale G. VanSchoiack  
 May 19, 1992  
 3/5/97  
 STATE OF OREGON



NOTE: THE PURPOSE OF THIS MAP IS TO IDENTIFY THE APPROXIMATE LOCATION OF THE WATER RIGHT. IT IS NOT INTENDED TO PROVIDE INFORMATION RELATIVE TO THE LOCATION OF PROPERTY OWNERSHIP BOUNDARY LINES.

T. 4N., R. 28E., W.M.



FEEDVILLE ROAD

WELL 1 LOC: 1210' N. & 1800' W. FROM SE COR. SEC 23

WELL 2 LOC: 1230' N. & 1910' W. FROM SE COR. SEC 24

WELL 3 LOC: 1350' S. & 1330' W. FROM NE COR. SEC 23

WELL 4 LOC: 660' N. & 670' W. FROM E 1/4 COR. SEC 24



**FINAL PROOF SURVEY**  
UNDER

Application No. **G-7851** Permit No. **G-7183**.....  
IN NAME OF

.....**VERNON B. IVAN COOK**.....

Surveyed **5-13**..... 19**82**., by *V.L. Church*.....



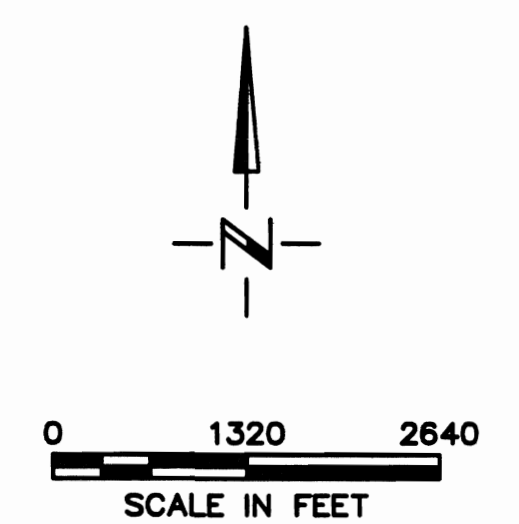
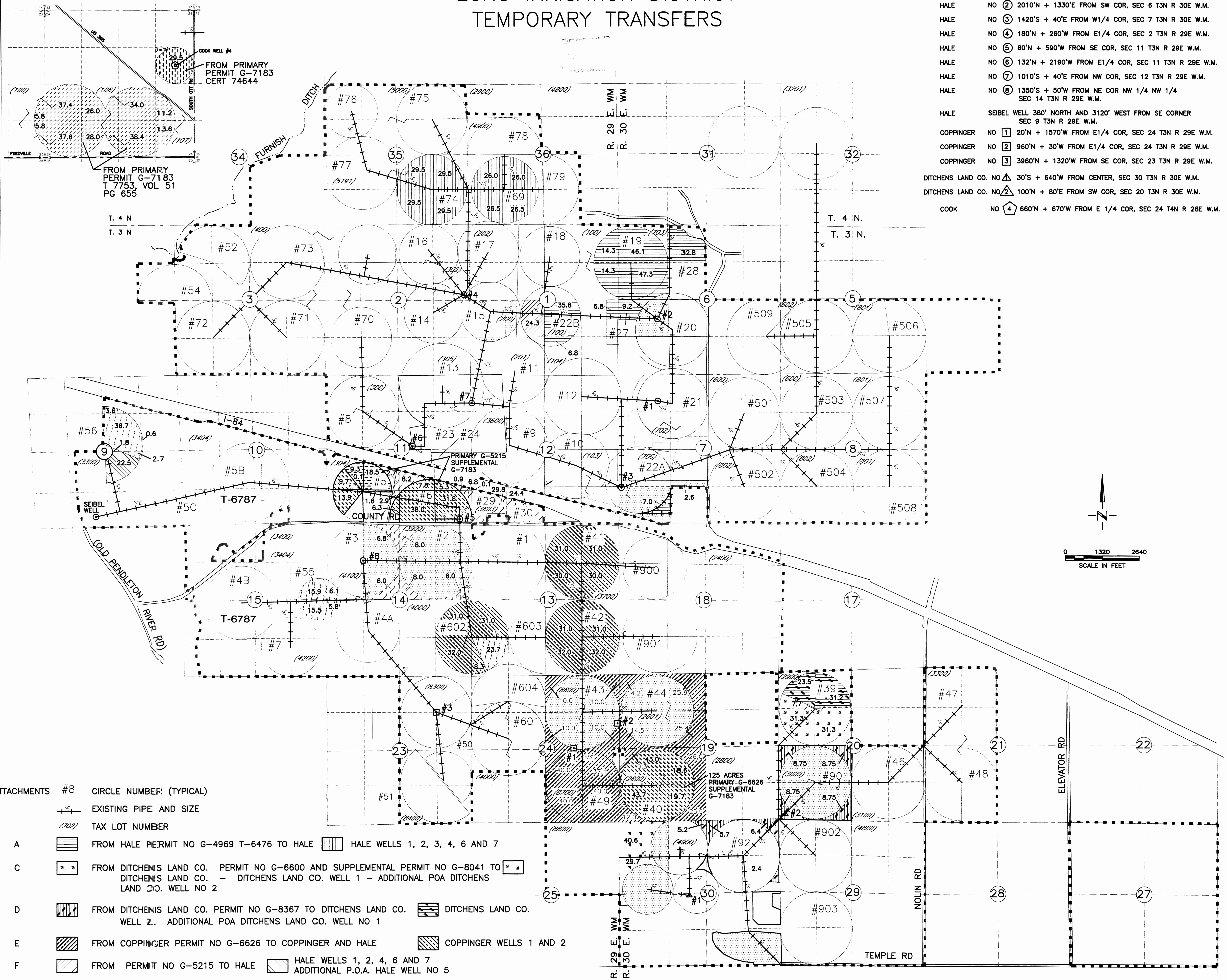
EA06 L

2002  
COOK TO HALE TEMPORARY TRANSFER  
T4N, R28E, WM

# 2002 ECHO IRRIGATION DISTRICT TEMPORARY TRANSFERS

## WELL LEGEND

- HALE NO ① 4340'N + 1830'W FROM S1/4 COR, SEC 7 T3N R 30E W.M.
- HALE NO ② 2010'N + 1330'E FROM SW COR, SEC 6 T3N R 30E W.M.
- HALE NO ③ 1420'S + 40'E FROM W1/4 COR, SEC 7 T3N R 30E W.M.
- HALE NO ④ 180'N + 260'W FROM E1/4 COR, SEC 2 T3N R 29E W.M.
- HALE NO ⑤ 60'N + 590'W FROM SE COR, SEC 11 T3N R 29E W.M.
- HALE NO ⑥ 132'N + 2190'W FROM E1/4 COR, SEC 12 T3N R 29E W.M.
- HALE NO ⑦ 1010'S + 40'E FROM NW COR, SEC 12 T3N R 29E W.M.
- HALE NO ⑧ 1350'S + 50'W FROM NE COR NW 1/4 NW 1/4 SEC 14 T3N R 29E W.M.
- HALE SEIBEL WELL 380' NORTH AND 3120' WEST FROM SE CORNER SEC 9 T3N R 29E W.M.
- COPPINGER NO ① 20'N + 1570'W FROM E1/4 COR, SEC 24 T3N R 29E W.M.
- COPPINGER NO ② 960'N + 30'W FROM E1/4 COR, SEC 24 T3N R 29E W.M.
- COPPINGER NO ③ 3960'N + 1320'W FROM SE COR, SEC 23 T3N R 29E W.M.
- DITCHENS LAND CO. NO ① 30'S + 640'W FROM CENTER, SEC 30 T3N R 30E W.M.
- DITCHENS LAND CO. NO ② 100'N + 80'E FROM SW COR, SEC 20 T3N R 30E W.M.
- COOK NO ④ 660'N + 670'W FROM E 1/4 COR, SEC 24 T4N R 28E W.M.



- ATTACHMENTS
- #8 CIRCLE NUMBER (TYPICAL)
  - EXISTING PIPE AND SIZE
  - (102) TAX LOT NUMBER
  - A FROM HALE PERMIT NO G-4969 T-6476 TO HALE HALE WELLS 1, 2, 3, 4, 6 AND 7
  - C FROM DITCHENS LAND CO. PERMIT NO G-6600 AND SUPPLEMENTAL PERMIT NO G-8041 TO DITCHENS LAND CO. - DITCHENS LAND CO. WELL 1 - ADDITIONAL POA DITCHENS LAND CO. WELL NO 2
  - D FROM DITCHENS LAND CO. PERMIT NO G-8367 TO DITCHENS LAND CO. DITCHENS LAND CO. WELL 2. ADDITIONAL POA DITCHENS LAND CO. WELL NO 1
  - E FROM COPPINGER PERMIT NO G-6626 TO COPPINGER AND HALE COPPINGER WELLS 1 AND 2
  - F FROM PERMIT NO G-5215 TO HALE HALE WELLS 1, 2, 4, 6 AND 7 ADDITIONAL P.O.A. HALE WELL NO 5
  - G FROM HALE PERMIT NO G-5215 TO HALE HALE WELLS 5 AND 8
  - H FROM COOK PERMIT NO G-7183 TO HALE-COPPINGER SEIBEL WELL - } THIS TRANSFER IS ON A SEPARATE APPLICATION
  - FROM COOK PERMIT NO G-7183, CERT 74644 SEIBEL WELL\* - }
  - AREAS OF EXISTING WATER RIGHTS NOT INCLUDED IN THIS TRANSFER
- \* SEIBEL WELL WILL BE AN ADDITIONAL P.O.A. THIS TEMPORARY TRANSFER