

# FINAL PROOF SURVEY AND CLAIM OF BENEFICIAL USE

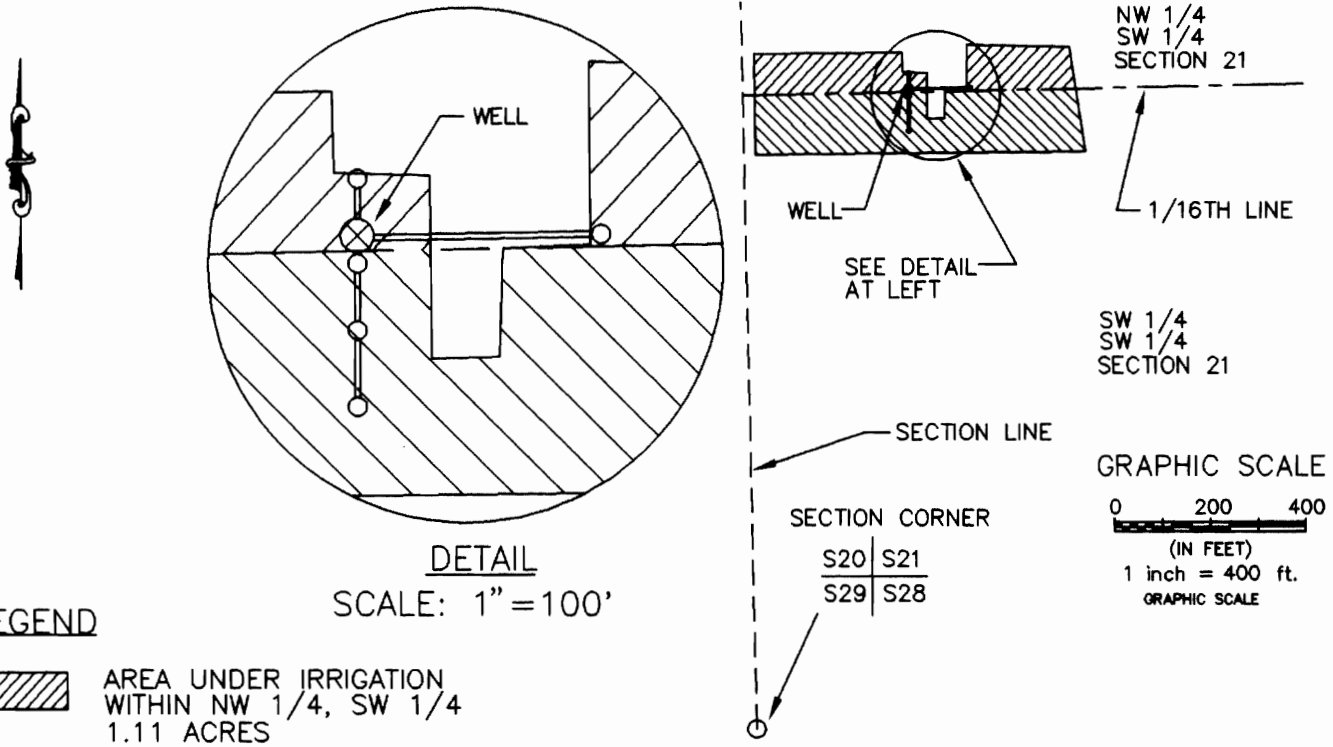
**RECEIVED**

NOV 02 1998

WATER RESOURCES DEPT.  
SALEM, OREGON

LOCATED IN  
NW 1/4, SW 1/4, AND SW 1/4, SW 1/4,  
SECTION 21, T.1S., R.32E., W.M.  
UMATILLA COUNTY, OREGON  
KENNETH STELK

TRANSFER APPLICATION T-6820 MODIFYING A PORTION OF  
CERTIFICATE 72775 PERFECTED UNDER PERMIT G-5510,  
THROUGH SPECIAL ORDER VOLUME 51, PAGE 1,173, APPROVING  
CHANGE IN POINT OF APPROPRIATION.



**LEGEND**

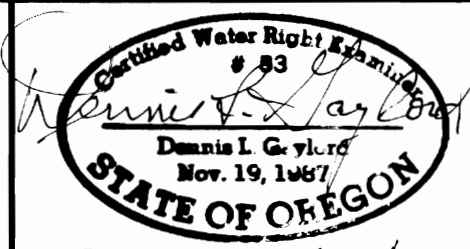
- AREA UNDER IRRIGATION WITHIN NW 1/4, SW 1/4 1.11 ACRES
- AREA UNDER IRRIGATION WITHIN SW 1/4, SW 1/4 1.94 ACRES
- o 3" RISER
- ⊗ WELL-NEW POINT OF APPROPRIATION
- BURIED 2" PVC DISTRIBUTION LINE
- - - 1/16th SECTION LINE
- - - SECTION LINE

DETAIL  
SCALE: 1" = 100'

**GRAPHIC SCALE**  
0 200 400  
(IN FEET)  
1 inch = 400 ft.  
GRAPHIC SCALE

LOCATION OF WELL  
WITHIN NW 1/4, SW 1/4,  
SECTION 21, T.1S., R.32E.,  
W.M., 1,328 FT. NORTH AND  
345 FT. EAST OF THE  
SECTION CORNER COMMON  
TO SECTIONS 20, 21, 28,  
AND 29.

This map is prepared for the express purpose to show water appropriation and use. It is not intended to show or locate property ownership lines.



*Renews 6/30/99*

DENNIS L. GAYLORD, CWRE  
71614 S.W. LAKE DRIVE  
PENDLETON, OR 97801  
(541) 276-6260  
August 4, 1998

DRAWN BY: H B WILLIAMS DRAFTING

©