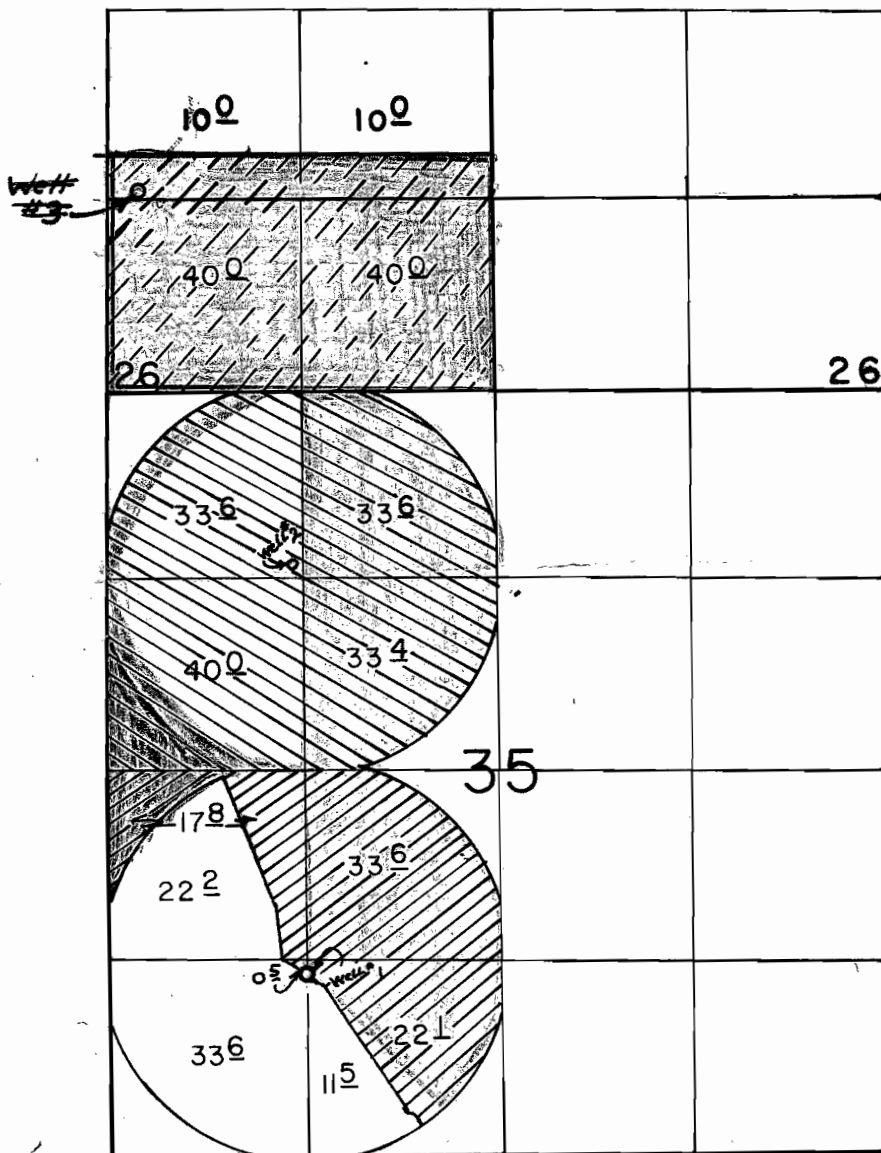


T.24S., R.18E., W.M.



WELL 1, 1250' N & 1320' E FROM SW COR. OF SEC 35.
 WELL 2, 1200' S & 1250' E FROM NW COR. OF SEC 35.
 WELL 3, 1360' N & 200' E FROM SW COR. OF SEC 26.

SCALE: 1" = 1320'

RECEIVED

MAY 09 2003

WATER RESOURCES DEPT.
 SALEM, OREGON

FINAL PROOF SURVEY
 UNDER

CERT. NO. 53148
 Application No. G-11234 Permit No. G-9974
 G-10326
 G-10366
 IN NAME OF

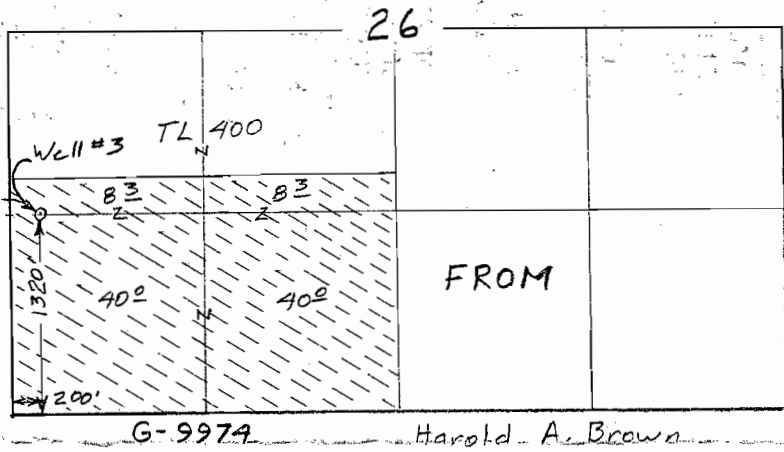
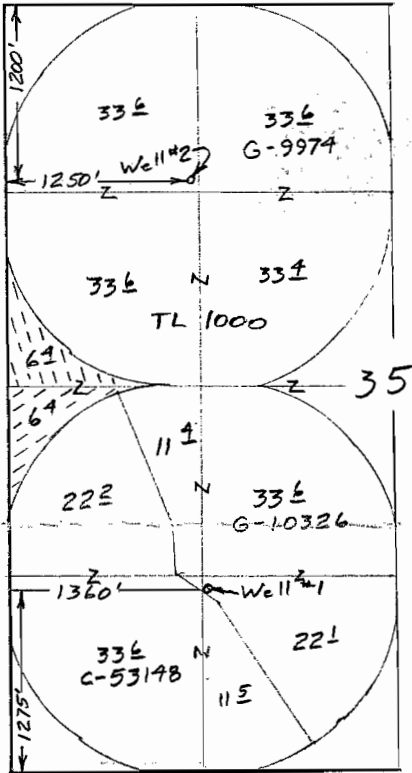
..... HAROLD A. BROWN

Surveyed MAY 8 19 97, by R.M. SUTTERFIELD

Revised 5/13/03 DL
 Revised 7/23/02 ddb
 R.M.S.

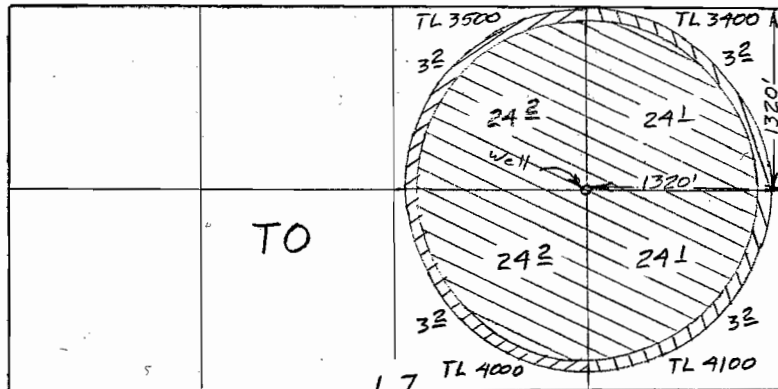
P.T.S. 11-7-97

T. 24S, R. 18E, W.M.



- ⊗ From G-9974 well #3 96.6 acres
- ⊗ From G-9974 well #2 6.9 acres
- ⊗ From G-10326 well #1 6.9 acres

T. 25S, R. 18E, W.M.



Scale 1" = 1320'

Jesse Warkentin

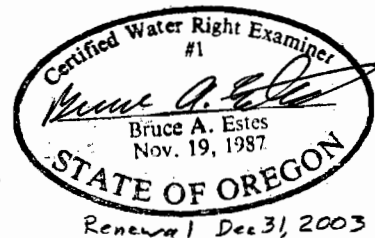
RECEIVED

MAR 08 2002

WATER RESOURCES DEPT.
SALEM, OREGON

Transfer Application Map
for

Harold A. Brown
to Jesse Warkentin



This map is for the purpose of
locating a water right only
and has no intent to provide
legal dimensions or the location
of property lines.

ESTES SURVEYS, LLC

PO Box 17519 60382 Arnold Rd
Salem, OR 97305-7519 Bend, OR 97702
(503) 585-7593 (541) 382-7391

T 9058