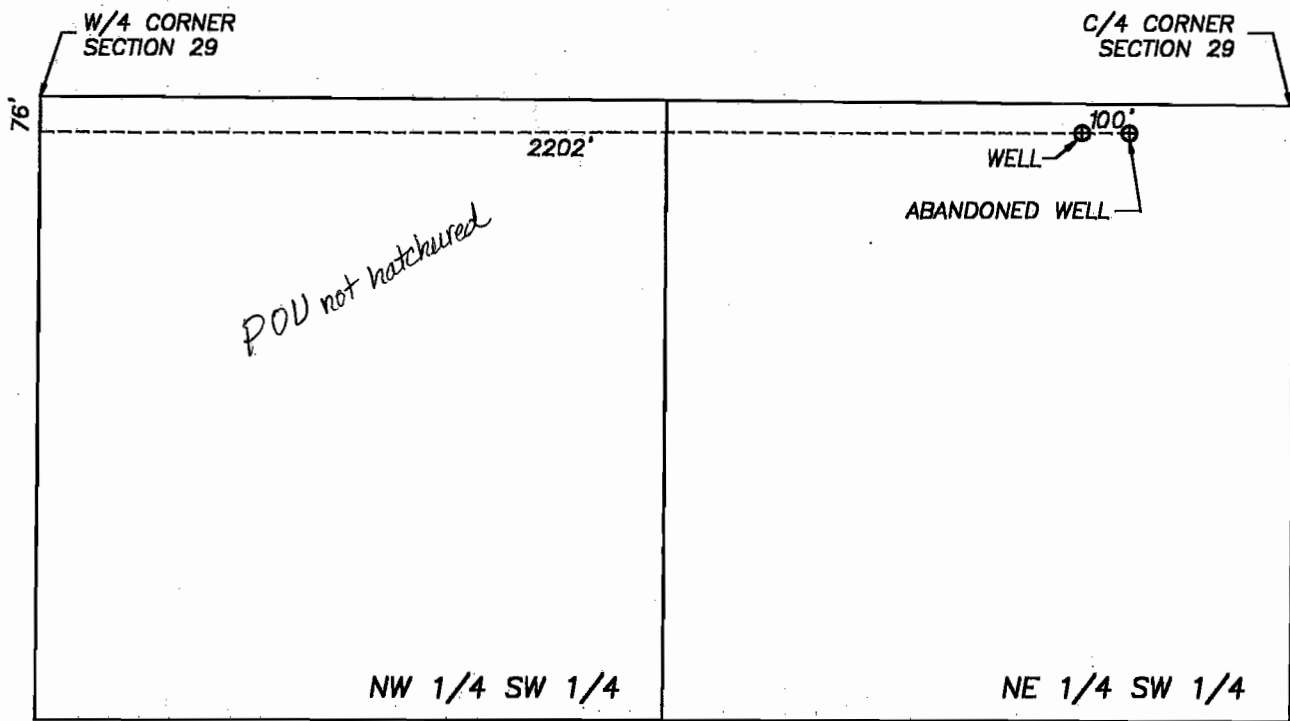


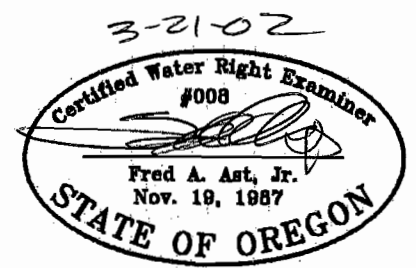
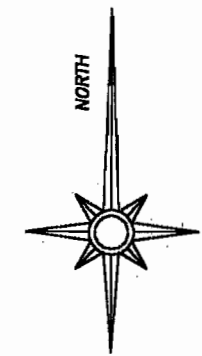
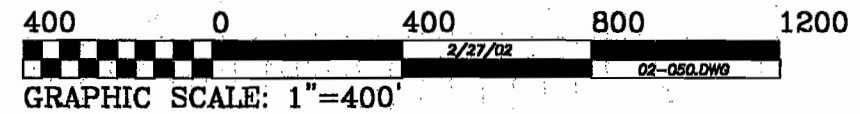
Superseded

APPLICATION MAP FOR WATER RIGHTS TRANSFER

CHANGE IN POINT OF APPROPRIATION
PERMIT G-11117



SECTION 29
T14S, R10E, W.M.
DESCHUTES CO., OR



RECEIVED
APR 02 2002
WATER RESOURCES DEPT.
SALEM, OREGON

COPY

T 9074

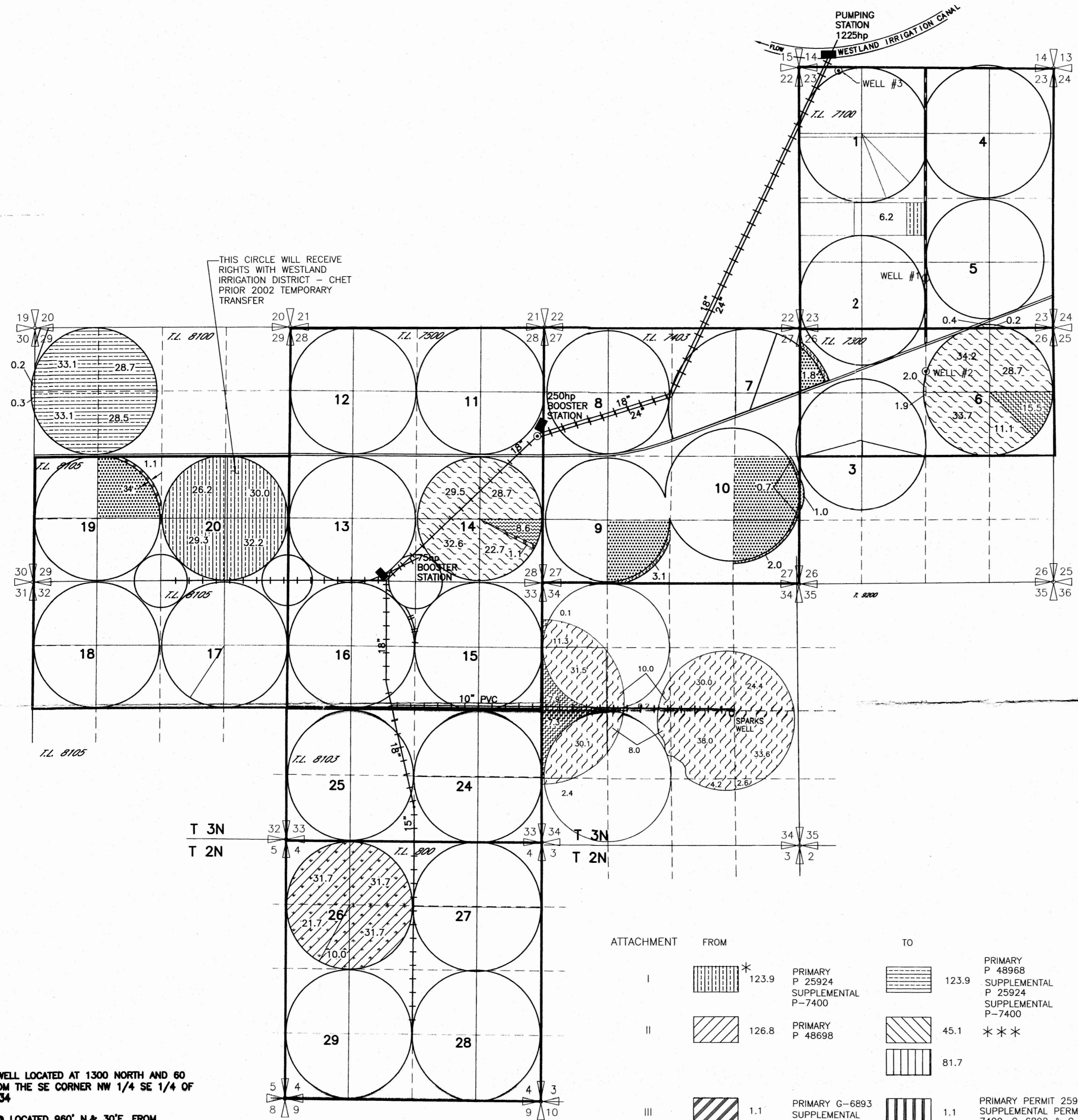
WESTLAND IRRIGATION DISTRICT - SIMPLOT - L&L FARM

T 3N & 2N, R 28EWM

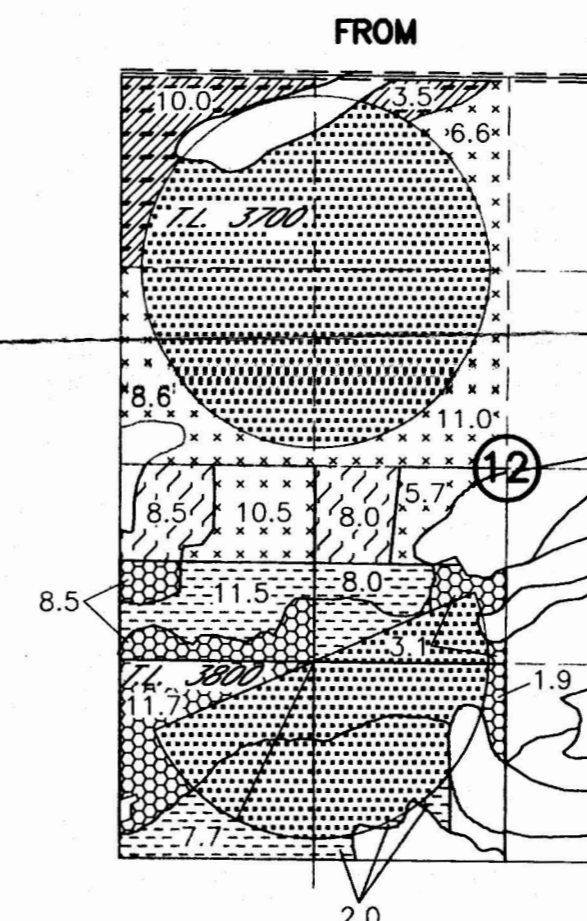
2002 SEASON

TEMPORARY TRANSFER MAP

RECEIVED
MAR 25 2002
WATER RESOURCES DEPT.
SALEM, OREGON



BOB LEVY TO
L & L FARMS 2002
TEMPORARY WATER RIGHTS TRANSFER
MAP FOR COURTNEY WATER RIGHT
T. 3N. R. 28E.W.M.
UMATILLA COUNTY



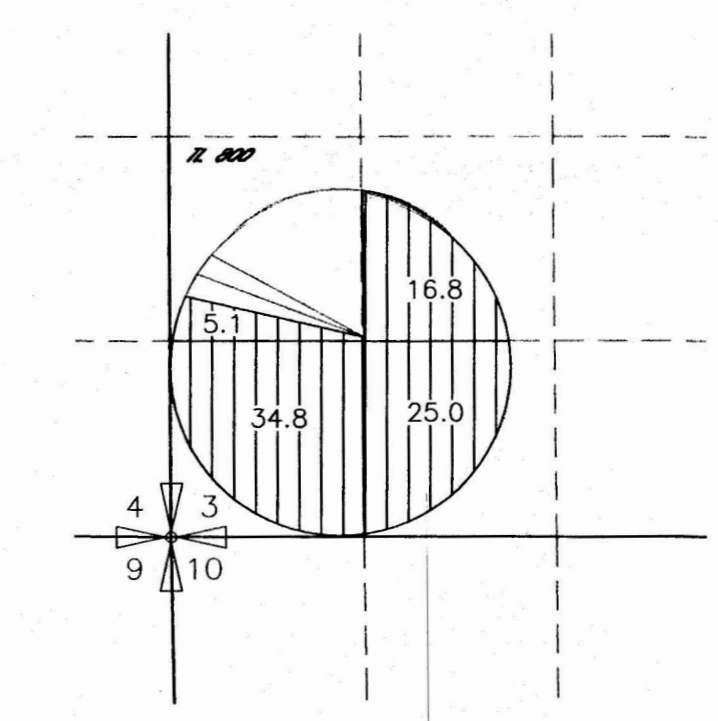
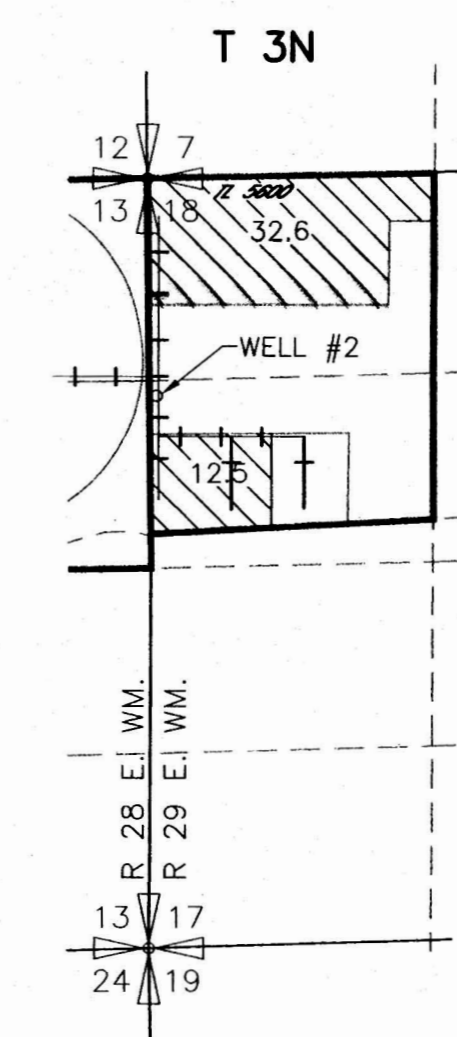
THIS TRANSFER IS DESCRIBED IN A SEPRATE APPLICATION

FROM	TO
13.5ac PRIMARY 1900 COURTNEY	13.5ac
42.4ac PRIMARY 1900 COURTNEY SUPPLEMENTAL PERMIT G-12348	42.4ac
16.5ac PRIMARY JAN 9 1900 COURTNEY SUPPLEMENTAL PERMIT G-12348	16.5ac
29.2ac PRIMARY 1900 COURTNEY SUPPLEMENTAL PERMIT G-6574 ** SUPPLEMENTAL PERMIT 7400 **	29.2ac
25.2ac PRIMARY JAN 9 1900 COURTNEY SUPPLEMENTAL PERMIT G-6574 ** SUPPLEMENTAL PERMIT 7400 **	25.2ac

** SUPPLEMENTAL PERMITS G-12347, G-6574 & 7400 WILL NOT BE TRANSFERRED AND WILL NOT BE USED DURING THIS 2002 TEMPORARY TRANSFER ON THESE ACRES

TOTALS 85.1 ACRES PRIMARY 1900 COURTNEY
41.7 PRIMARY JAN 9 1900 COURTNEY

TO
T 3N, R 28E WM



SPARKS WELL LOCATED AT 1300 NORTH AND 60 WEST FROM THE SE CORNER NW 1/4 SE 1/4 OF SECTION 34

WELL 1 @ LOCATED 960' N. & 30'E. FROM THE S. 1/4 CORNER SECTION 23

WELL 2 @ LOCATED 930' S. FROM THE N. 1/4 CORNER SECTION 26

WELL 3 @ LOCATED 60' S. & 820'E. FROM THE N.W. CORNER SECTION 23

● THESE WELLS DURING SIMPLOTS 2002 TEMPORARY TRANSFER WILL BE ADDITIONAL POINTS OF DIVERSION TO SPARKS WELL PERMIT G-5812

AREAS OF WATER RIGHTS NOT INVOLVED IN THIS TRANSFER

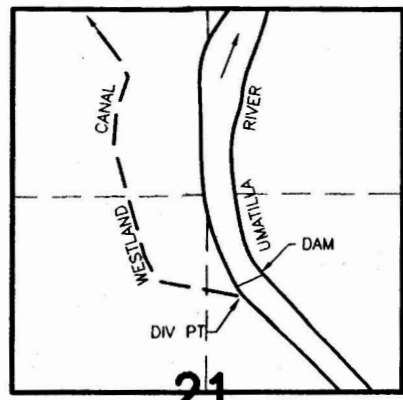
ATTACHMENT	FROM	TO
I	123.9 PRIMARY P 25924 SUPPLEMENTAL P-7400	123.9 PRIMARY P 48968 SUPPLEMENTAL P 25924 SUPPLEMENTAL P-7400
II	126.8 PRIMARY P 48698	45.1 *** 81.7
III	1.1 PRIMARY G-6893 SUPPLEMENTAL G-7036	1.1 PRIMARY PERMIT 25924 SUPPLEMENTAL PERMITS 7400, G-6892 & G-7036
IV	8.6 PRIMARY G-8570	8.6 PRIMARY PERMIT 25924 SUPPLEMENTAL PERMITS 7400 & G-8570

* THIS AREA RECEIVED WATER RIGHT WITH TEMPORARY TRANSFER WESTLAND IRRIGATION DISTRICT - CHET PRIOR
*** T-6833 PERMIT G-10222 WILL BECOME SUPPLEMENTAL ON THESE ACRES DURING THIS TEMPORARY TRANSFER

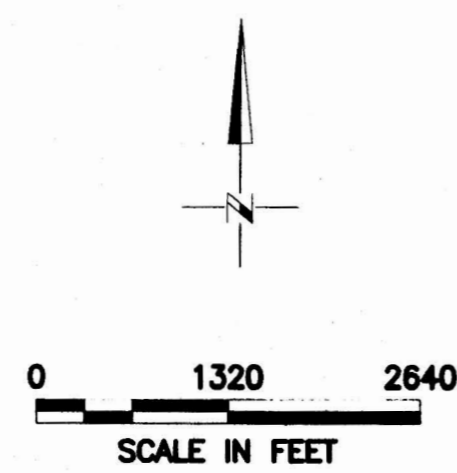
J R SIMPLOT TO
L & L FARMS 2002
THIS TEMPORARY WATER RIGHTS TRANSFER
IS DESCRIBED IN A SEPRATE APPLICATION

FROM	TO
15.5 PRIMARY G-5812 T-7197	15.5 PRIMARY PERMIT 25924 SUPPLEMENTAL PERMIT 7400 PERMIT G-5812 T-7197
226.1 PRIMARY G-5812	226.1 PRIMARY PERMIT 25924 SUPPLEMENTAL PERMIT 7400 PERMIT G-5812

T.3N., R.29E., W.M.



DIV PT LCT N.76°45'56"E. 2913.19' FROM W.1/4 COR. SEC 21



NOTE:
THE PURPOSE OF THIS MAP IS TO IDENTIFY THE APPROXIMATE LOCATION OF THE WATER RIGHT. IT IS NOT INTENDED TO PROVIDE INFORMATION RELATIVE TO THE LOCATION OF PROPERTY OWNERSHIP BOUNDARY LINES.

JR 0075