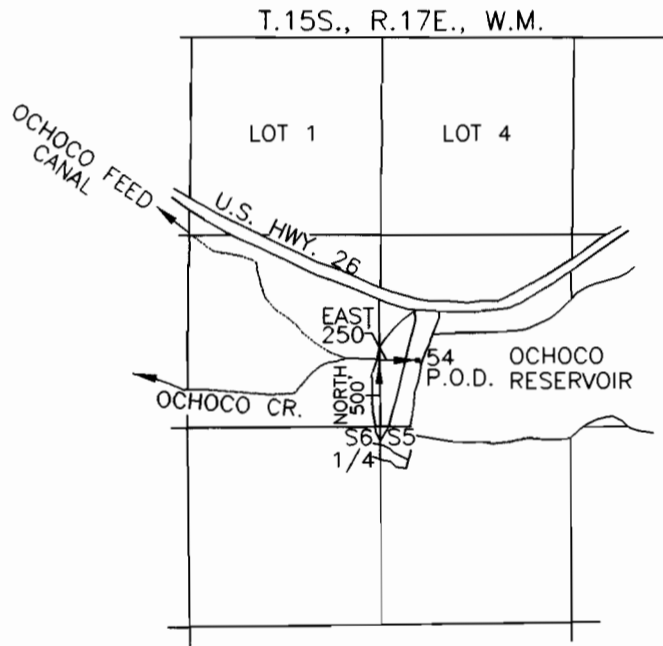
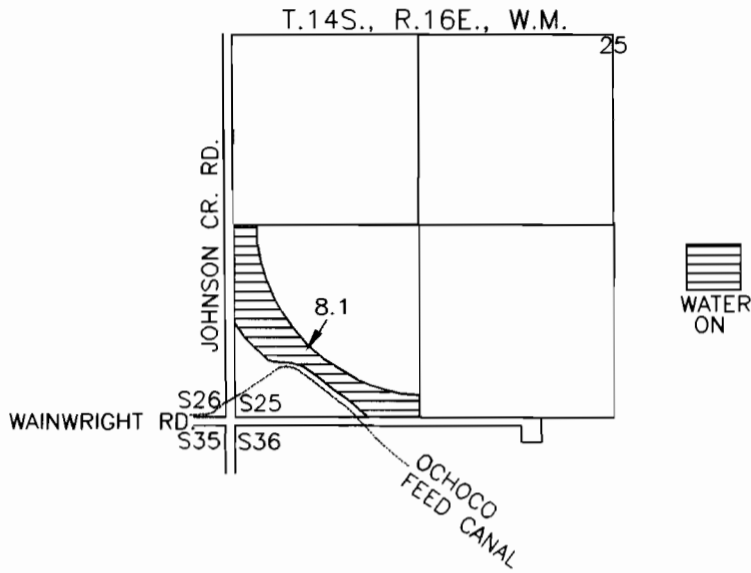


*FINAL PROOF SURVEY  
 UNDER T-7604 IN NAME OF  
 ELIZABETH B. AND JOHN E. ROSS  
 REVOCABLE TRUST DATED OCTOBER 8, 1991*

T - 7604



***PREPARED FOR***

RECEIVING LANDOWNER  
 DR. RONALD W. SPROAT  
 1205 NE WYOMING DRIVE  
 PRINEVILLE, OR 97754  
 (541) 447-1183

69 & 54 RECORD POINT OF DIVERSION - FINAL PROOF SURVEY OF CROOKED RIVER PROJECT. SW1/4 NW1/4, SECTION 5, T.15S., R.17E., W.M.; 500 FEET NORTH AND 250 FEET EAST FROM THE W1/4 CORNER, SECTION 5.

THE PREPARATION OF THIS MAP IS FOR THE PURPOSE OF IDENTIFYING THE LOCATION OF THE WATER RIGHT ONLY AND HAS NO INTENT TO PROVIDE DIMENSIONS OR LOCATIONS OF PROPERTY OWNERSHIP LINES.

<p><b>ARMSTRONG SURVEYING &amp; ENGINEERING, INC.</b>          378 NE SECOND ST.          PRINEVILLE, OR 97754          (541) 447-7791</p>	<p>OCTOBER 18, 2002</p>	
<p>W.O. 02-2377</p>	<p>BY: D.B.A.</p>	
<p>SCALE: 1" = 1320'</p>		<p>Renewed 12/31/03</p>