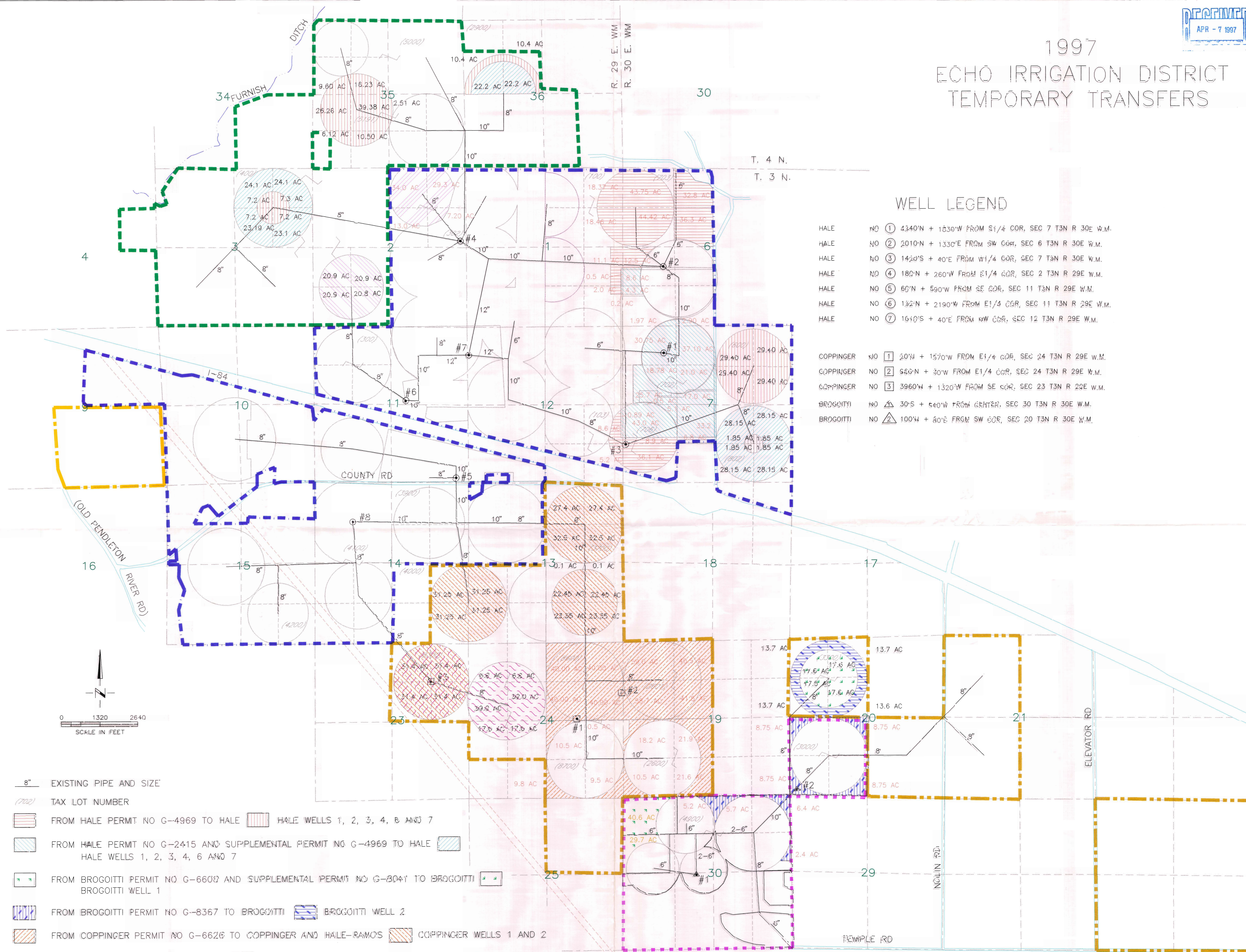
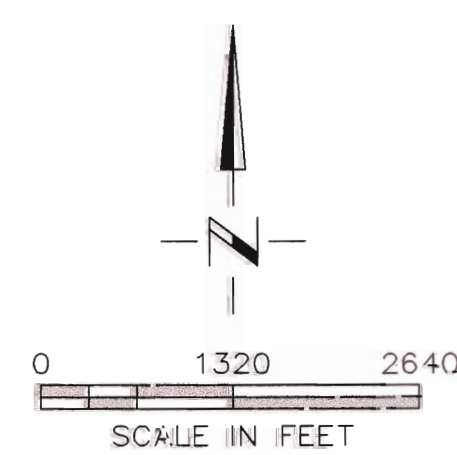


1997 ECHO IRRIGATION DISTRICT TEMPORARY TRANSFERS



WELL LEGEND

- | | | |
|-----------|------|---|
| HALE | NO ① | 4340'N + 1630'W FROM S1/4 COR, SEC 7 T3N R 30E W.M. |
| HALE | NO ② | 2010'N + 1330'E FROM SW COR, SEC 6 T3N R 30E W.M. |
| HALE | NO ③ | 1420'S + 40'E FROM W1/4 COR, SEC 7 T3N R 30E W.M. |
| HALE | NO ④ | 180'N + 260'W FROM E1/4 COR, SEC 2 T3N R 29E W.M. |
| HALE | NO ⑤ | 60'N + 590'W FROM SE COR, SEC 11 T3N R 29E W.M. |
| HALE | NO ⑥ | 132'N + 2190'W FROM E1/4 COR, SEC 11 T3N R 29E W.M. |
| HALE | NO ⑦ | 1610'S + 40'E FROM NW COR, SEC 12 T3N R 29E W.M. |
| | | |
| COPPINGER | NO ① | 20'N + 1570'W FROM E1/4 COR, SEC 24 T3N R 29E W.M. |
| COPPINGER | NO ② | 550'N + 30'W FROM E1/4 COR, SEC 24 T3N R 29E W.M. |
| COPPINGER | NO ③ | 3960'N + 1320'W FROM SE COR, SEC 23 T3N R 29E W.M. |
| BROGOITTI | NO ① | 30'S + 540'W FROM CENTER, SEC 30 T3N R 30E W.M. |
| BROGOITTI | NO ② | 100'W + 80'E FROM SW COR, SEC 20 T3N R 30E W.M. |



- 8" EXISTING PIPE AND SIZE
- (702) TAX LOT NUMBER
- FROM HALE PERMIT NO G-4969 TO HALE HALE WELLS 1, 2, 3, 4, 6 AND 7
- FROM HALE PERMIT NO G-2415 AND SUPPLEMENTAL PERMIT NO G-4969 TO HALE HALE WELLS 1, 2, 3, 4, 6 AND 7
- FROM BROGOITTI PERMIT NO G-6600 AND SUPPLEMENTAL PERMIT NO G-3041 TO BROGOITTI BROGOITTI WELL 1
- FROM BROGOITTI PERMIT NO G-8367 TO BROGOITTI BROGOITTI WELL 2
- FROM COPPINGER PERMIT NO G-6626 TO COPPINGER AND HALE-RAMOS COPPINGER WELLS 1 AND 2
- FROM PERMIT NO G-5215 TO HALE HALE WELLS 1, 2, 4, 6 AND 7
- FROM COPPINGER PERMIT NO G-7041 TO HALE-RAMOS COPPINGER WELL 3