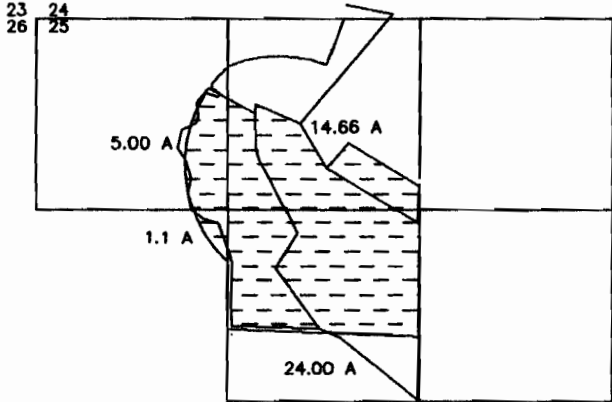
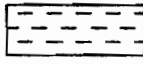


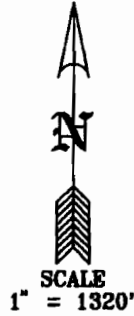
AMENDED *BB*
 MAP TO ACCOMPANY APPLICATION
 FOR A TRANSFER OF WATER RIGHT

AUTHORIZED PLACE OF USE

T.40S. R.18E., W.M.
 NW 1/4 SECTION 25
 TAX LOT 2201

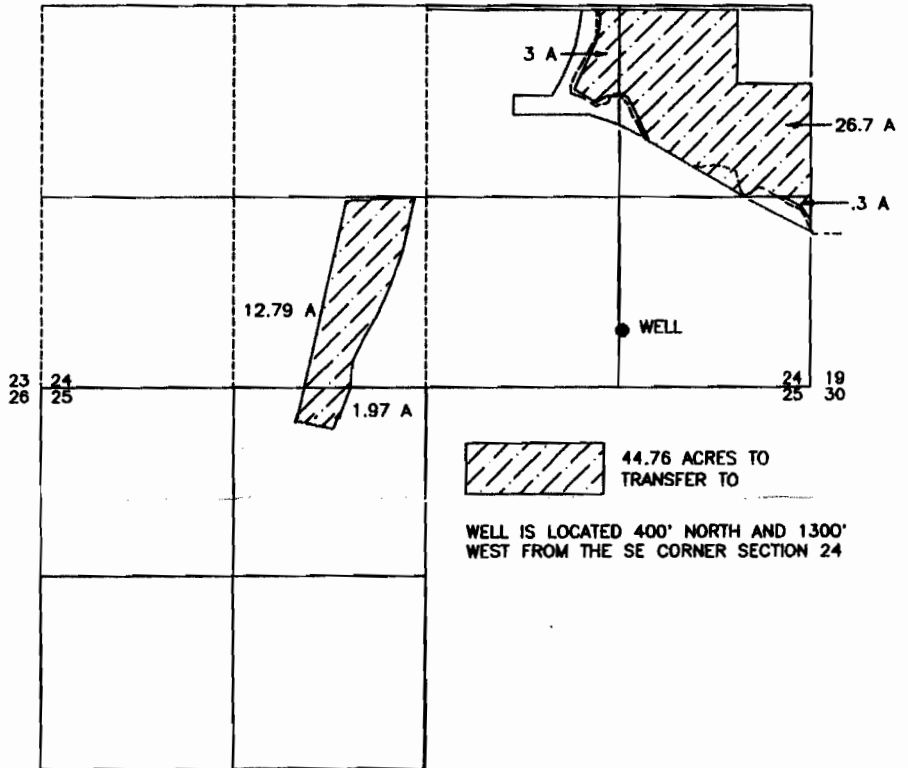


 44.76 ACRES AVAILABLE
 FOR TRANSFER
 C #51395



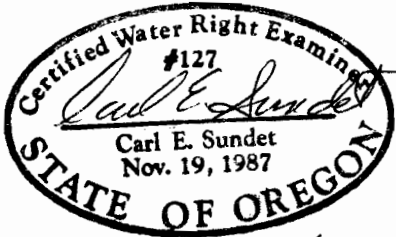
PROPOSED PLACE OF USE

T.40S. R.18E., W.M.
 SECTIONS 24 & 25
 TAX LOT 2200 & 2201



 44.76 ACRES TO
 TRANSFER TO

WELL IS LOCATED 400' NORTH AND 1300'
 WEST FROM THE SE CORNER SECTION 24



Renews 6/30/00

PREPARED FOR: BOBBY & BILLIE EVANS
 PREPARED BY: SUNDET & ASSOCIATES
 P.O. BOX 1228
 LAKEVIEW, OR 97630
 APRIL 1999 DRAWING #EVANS4A