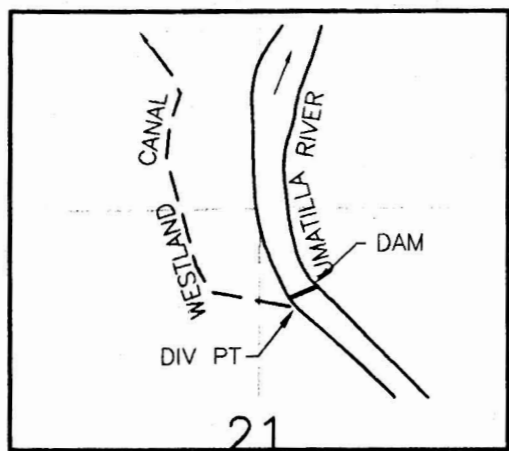


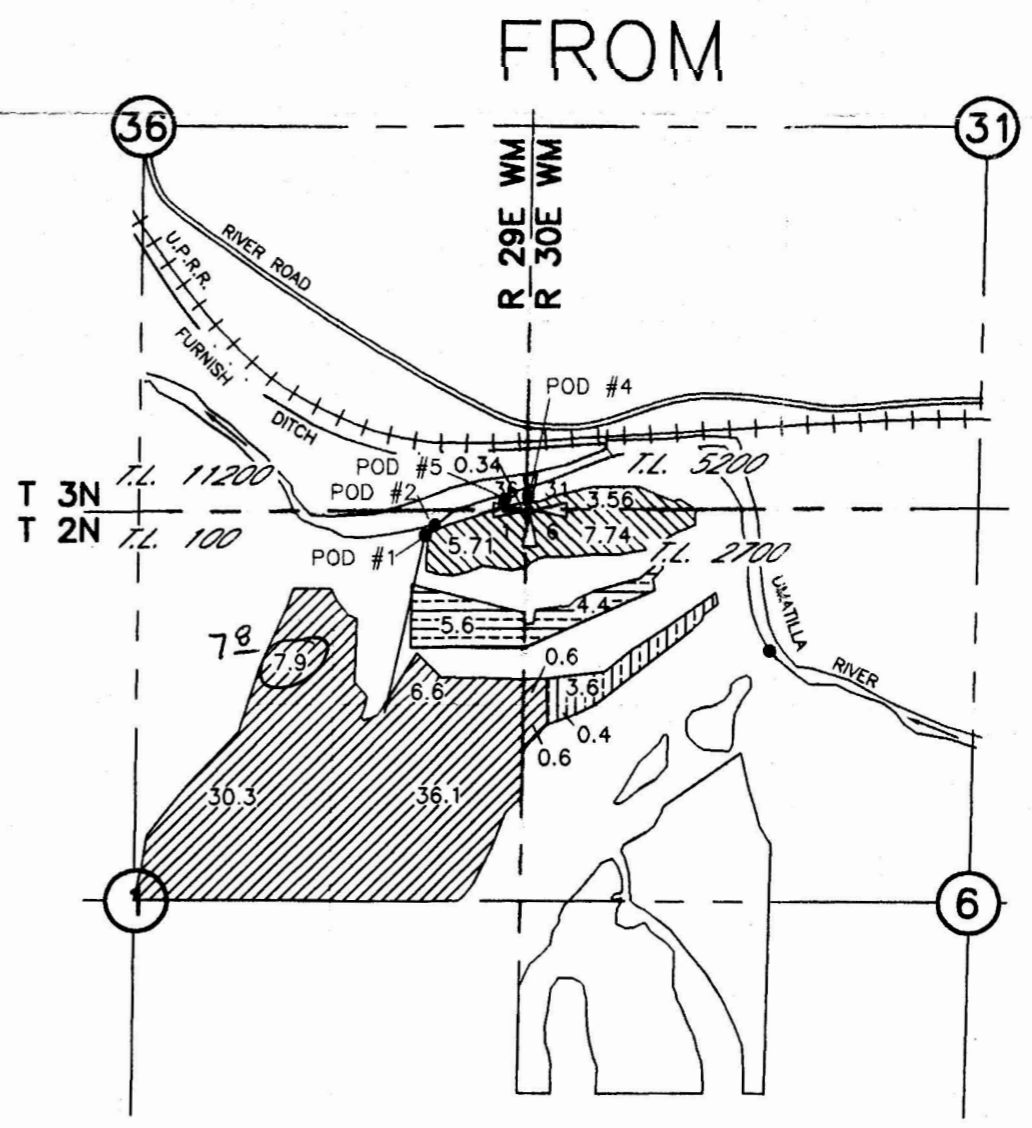
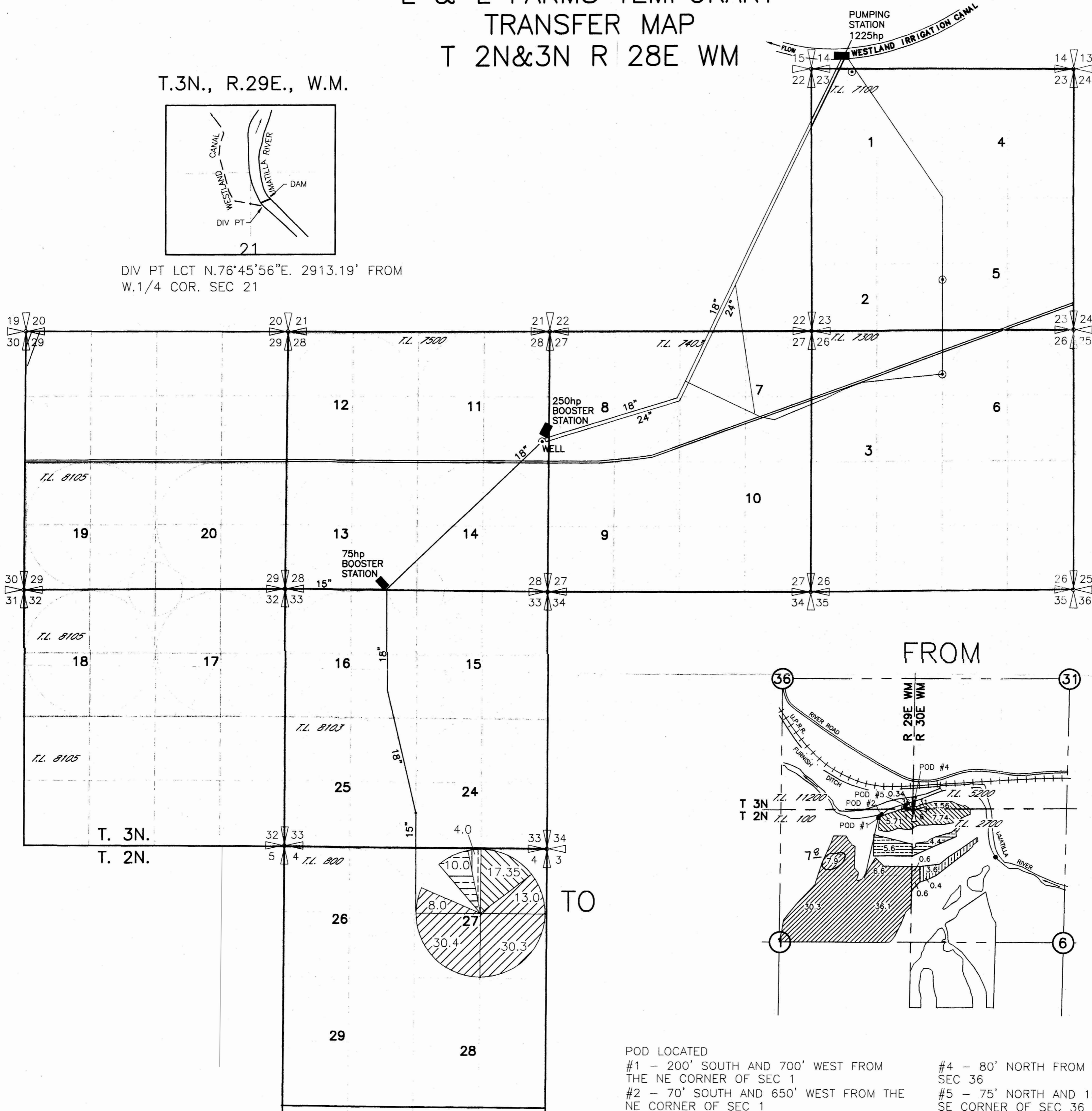
2002 HERBERT BORK TO L & L FARMS TEMPORARY TRANSFER MAP T 2N&3N R 28E WM

RECEIVED
MAY 13 2002
WATER RESOURCES DEPT.
SALEM, OREGON

T.3N., R.29E., W.M.



DIV PT LCT N.76°45'56"E. 2913.19' FROM
W.1/4 COR. SEC 21



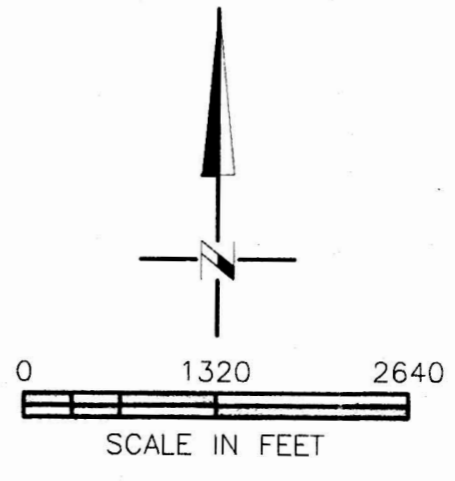
POD LOCATED
 #1 - 200' SOUTH AND 700' WEST FROM THE NE CORNER OF SEC 1
 #2 - 70' SOUTH AND 650' WEST FROM THE NE CORNER OF SEC 1
 #4 - 80' NORTH FROM THE SE CORNER OF SEC 36
 #5 - 75' NORTH AND 150' WEST FROM THE SE CORNER OF SEC 36

ATTACHMENTS

- A 17.35 AC SEPT 23, 1950 POD #5
P-38899 CERT 23757
JULY 1, 1924 McKAY RESERVOIR
PERMIT 7400 CONTRACT NO 14-06-100-1326
- B 82.0 AC DEC 19, 1973 POD #1
P-38899 CERT 52410
- C 10.0 AC MAY 25, 1954 POD #4
P-25222 CERT 31809
- D 4.0 AC SEPT 12, 1975 POD #2 & #3
P-40118 CERT. 61801

NOTE:
PERMIT 48968 WILL NOT BE USED ON THE "TO" AREA
DURING THIS TEMPORARY TRANSFER.

NOTE:
THE PURPOSE OF THIS MAP IS TO IDENTIFY THE APPROXIMATE LOCATION
OF THE WATER RIGHT. IT IS NOT INTENDED TO PROVIDE INFORMATION
RELATIVE TO THE LOCATION OF PROPERTY OWNERSHIP BOUNDARY LINES.



3522.005
05/01/02
3522TBORK.DWG
SCM Architects & Engineers
Consultants, Inc. Kennewick, WA 99336

T-9127