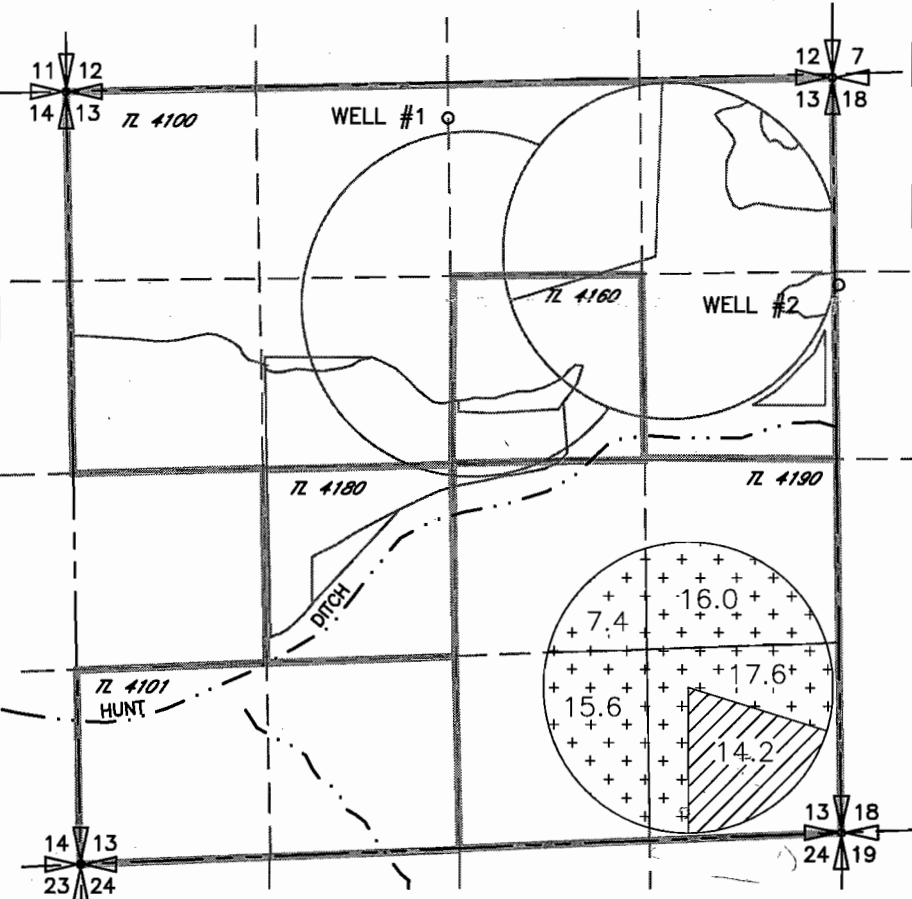


**FINAL PROOF  
MAP FOR  
TRANSFER T-9198  
WESTLAND IRRIGATION DISTRICT  
DOUBLE M RANCH INC  
T3N R28E WM**

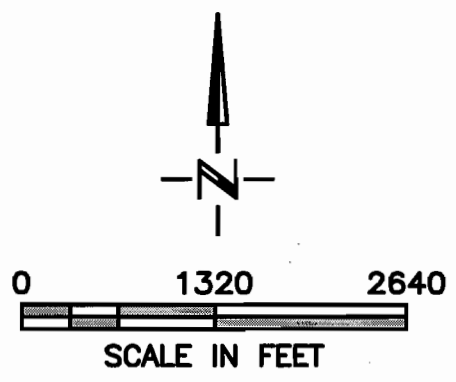
**RECEIVED**

SEP 20 2004

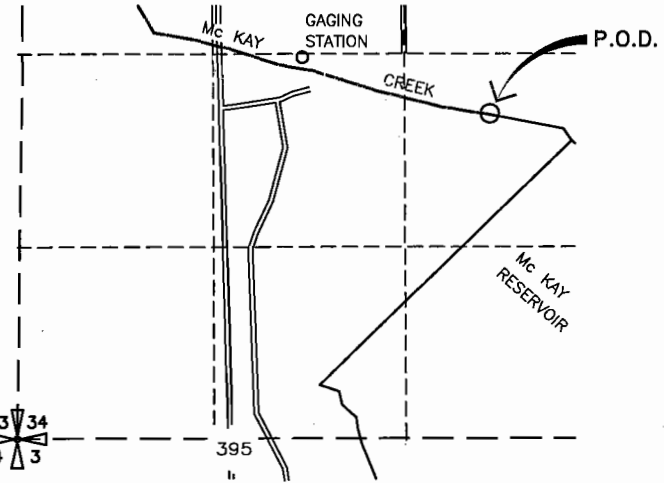
WATER RESOURCES DEPT  
SALEM, OREGON



- 
- 56.6 AC PERMIT 25920 CERT 76050  
SUPPLEMENTAL PERMIT 7400 CERT 79439
- 14.2 AC PERMIT 25924 CERT 76051  
SUPPLEMENTAL PERMIT 7400 CERT 79439

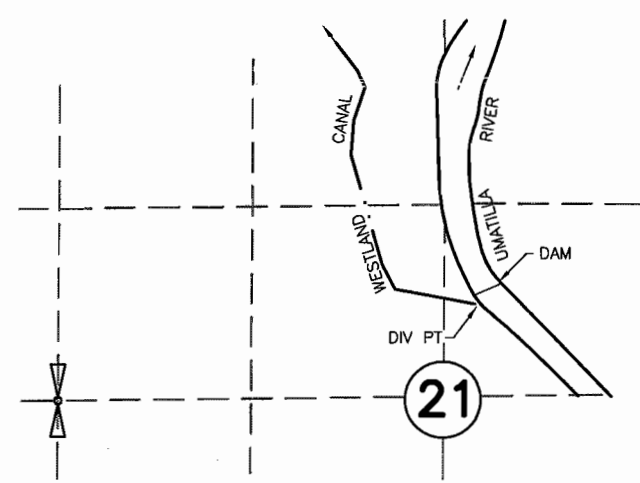


**T2N, R32E WM**



P.O.D.  
McKAY RESERVOIR NW 1/4 SE 1/4 SEC 34

**T3N R29E WM**



P.O.D.  
LOCATED NORTH 76°45'56" EAST. 2913.19' FROM W.1/4 COR. SEC 21

**NOTE:**  
THE PURPOSE OF THIS MAP IS TO IDENTIFY THE APPROXIMATE LOCATION OF THE WATER RIGHT. IT IS NOT INTENDED TO PROVIDE INFORMATION RELATIVE TO THE LOCATION OF PROPERTY OWNERSHIP BOUNDARY LINES.

DRAWING: H:\CAD\AG\3522\052\3522t540.dwg  
PRINTED BY: RogerW on 08/30/04 01:35 PM

