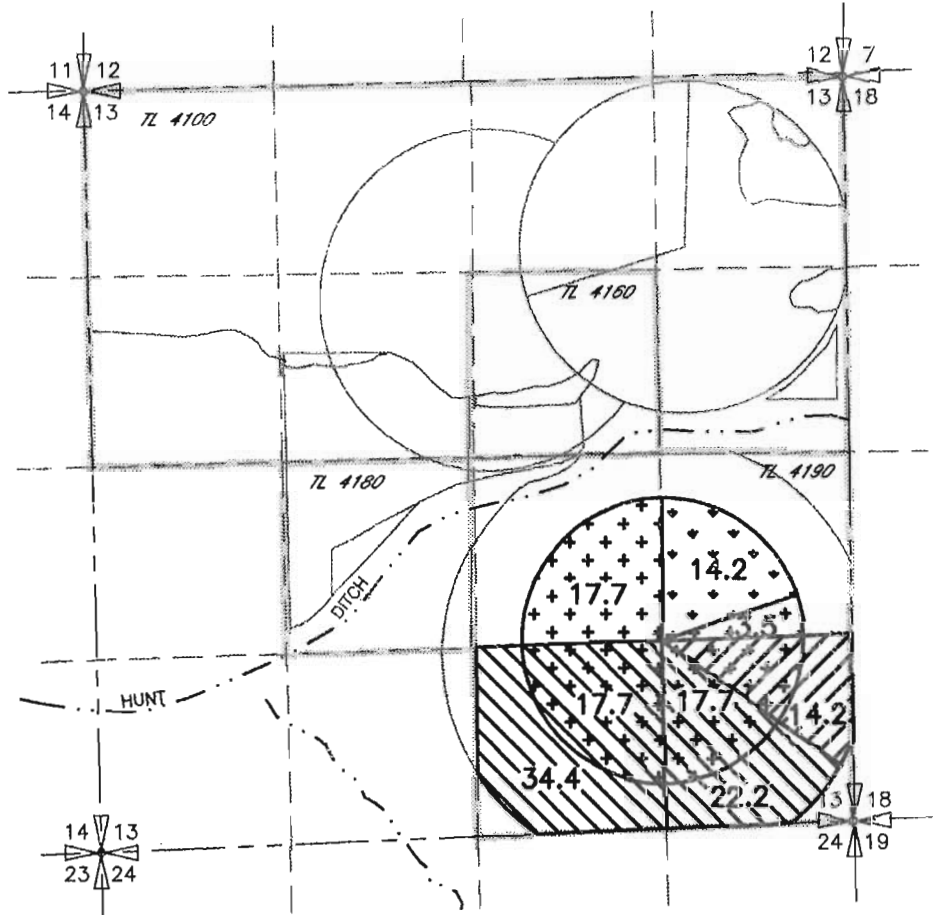


WESTLAND IRRIGATION DISTRICT
 TEMPORARY TRANSFER MAP FOR
 DOUBLE M RANCH INC
 TOWNSHIP 3 NORTH RANGE 28 E WM

PERMIT 25920
 PERMIT 25924

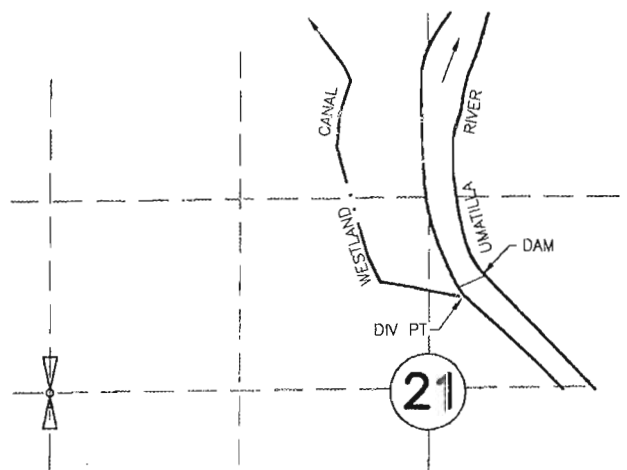
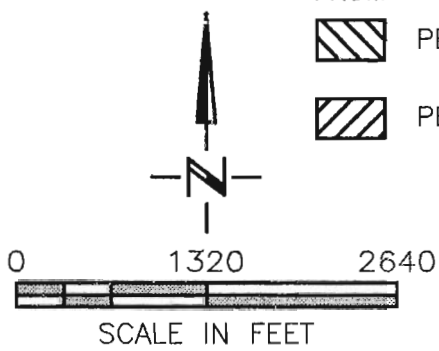
RECEIVED
 FEB - 2 1998
 WATER RESOURCES DEPT.
 SALEM, OREGON

T-7917



FROM		TO
	PERMIT 25920	
	PERMIT 25924	

T3N R29E WM



P.O.D.
 LOCATED NORTH 76°45'56" EAST. 2313.19' FROM W.1/4 COR. SEC 21

NOTE:
 THE PURPOSE OF THIS MAP IS TO IDENTIFY THE APPROXIMATE LOCATION OF THE WATER RIGHT. IT IS NOT INTENDED TO PROVIDE INFORMATION RELATIVE TO THE LOCATION OF PROPERTY OWNERSHIP BOUNDARY LINES.