

2001 WESTLAND IRRIGATION DISTRICT TEMPORARY TRANSFER MAP MUELLER TO NEWMAN

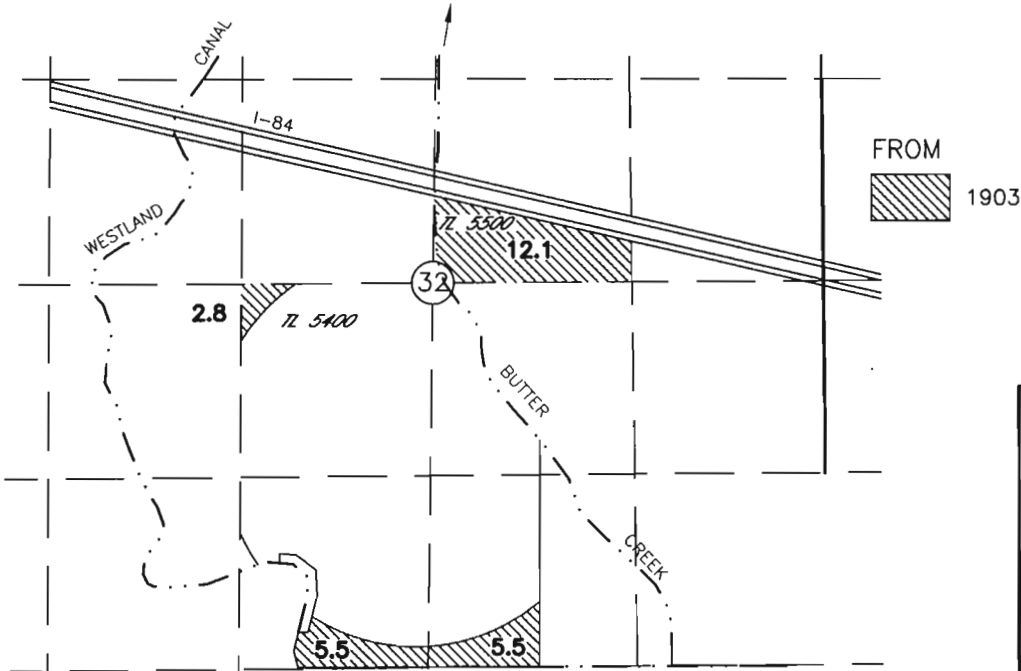
T-8833

T 4N., R 28E., W.M.

RECEIVED

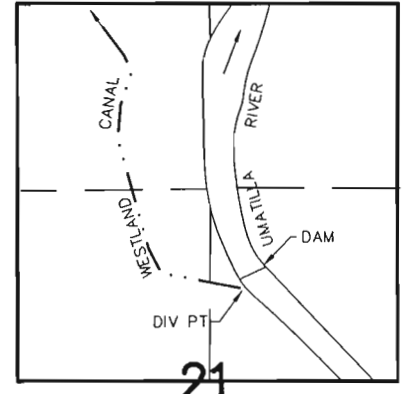
JUN 11 2001

WATER RESOURCES DEPT.
SALEM, OREGON

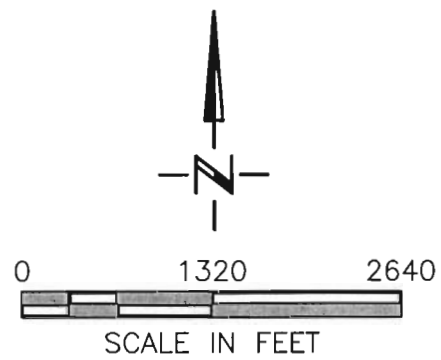
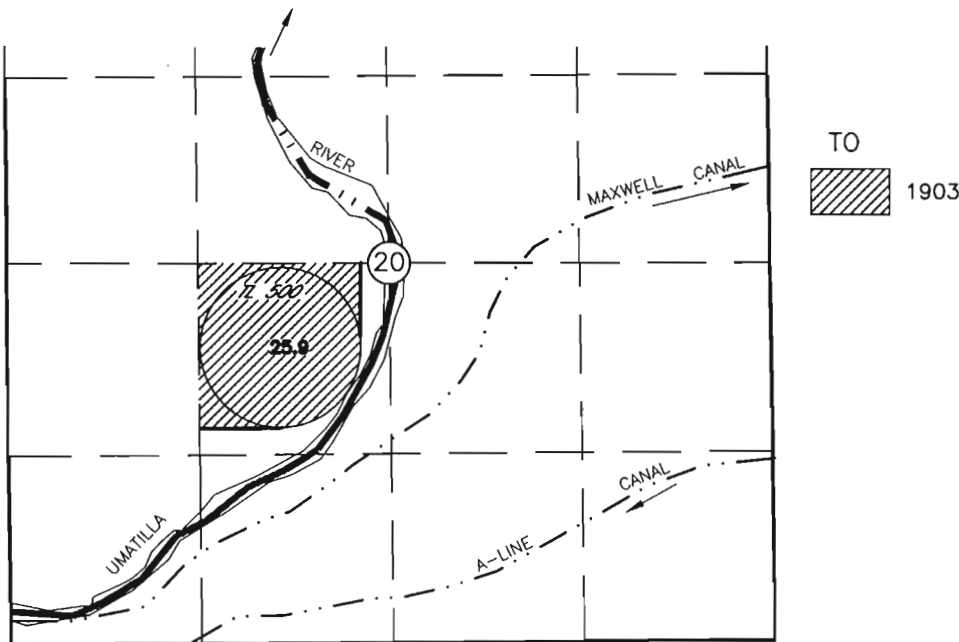


ANY SUPPLEMENTAL BUTTER CREEK WATER RIGHT
WILL NOT BE TRANSFERRED OR USED DURING THIS
TRANSFER

T.3N., R.29E., W.M.



DIV PT LCT N.76°45'56"E. 2913.19' FROM W.1/4 COR. SEC 21
1907 WESTLAND IRRIGATION DISTRICT AND PERMIT
7400 MCKAY



NOTE: THE PURPOSE OF THIS MAP IS TO IDENTIFY THE APPROXIMATE LOCATION
OF THE WATER RIGHT. IT IS NOT INTENDED TO PROVIDE INFORMATION
RELATIVE TO THE LOCATION OF PROPERTY OWNERSHIP BOUNDARY LINES.

6/07/01
3522.055
3522M01.DWG