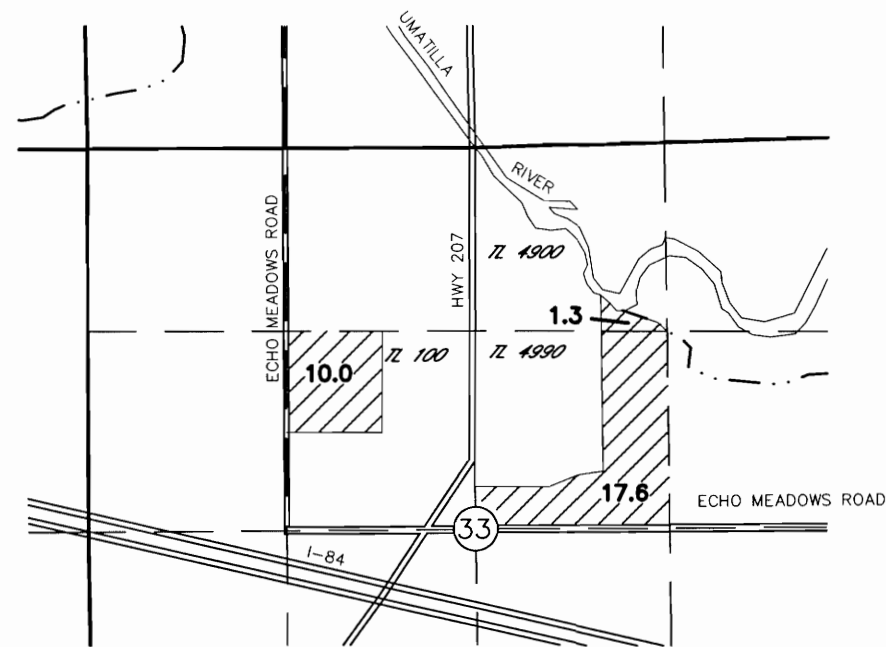


# 2000 WESTLAND IRRIGATION DISTRICT TEMPORARY TRANSFER MAP MUELLER TO QUICK

T-8442

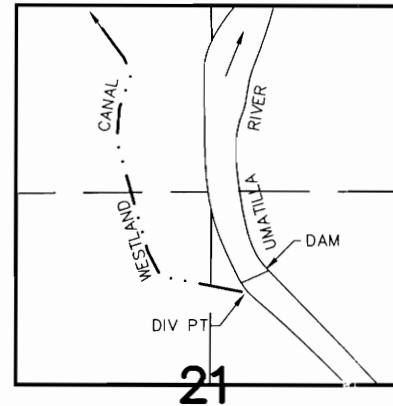
**RECEIVED**  
FEB 17 2000  
WATER RESOURCES DEPT.  
SALEM, OREGON

T 4N., R 28E., W.M.



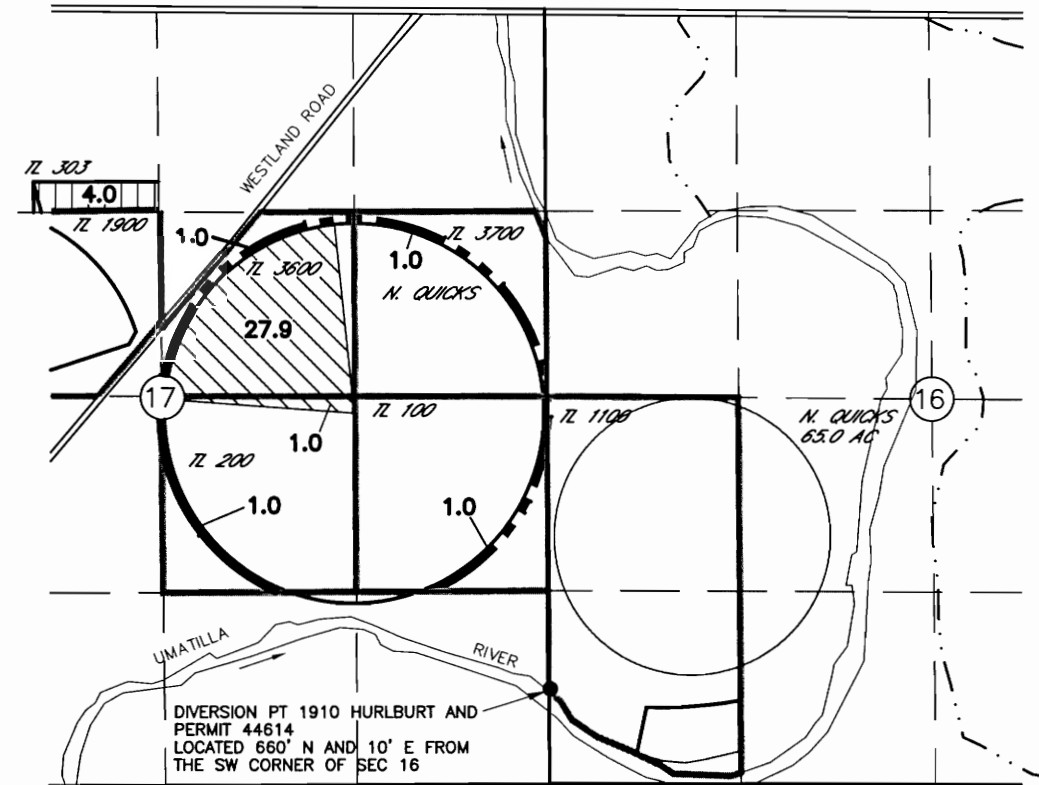
FROM  
 1903 UMATILLA RIVER WATER RIGHTS

T.3N., R.29E., W.M.



DIV PT LCT N.76°45'56"E. 2913.19' FROM W.1/4 COR. SEC 21  
1907 WESTLAND IRRIGATION DISTRICT AND PERMIT  
7400 McKAY

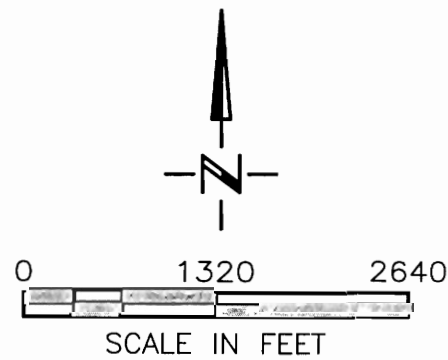
T 4N., R 28E., W.M.



FROM  
 1907

TO  
 21' WIDE

1903 PERMIT 44614 IN THIS AREA WILL BECOME SUPPLEMENTAL DURING THIS TRANSFER



**RECEIVED**  
FEB 17 2000  
WATER RESOURCES DEPT.  
SALEM, OREGON

NOTE: THE PURPOSE OF THIS MAP IS TO IDENTIFY THE APPROXIMATE LOCATION OF THE WATER RIGHT. IT IS NOT INTENDED TO PROVIDE INFORMATION RELATIVE TO THE LOCATION OF PROPERTY OWNERSHIP BOUNDARY LINES.

**SCM** Consultants, Inc. Architects & Engineers  
Kennewick, WA 99336

1/03/00  
3522.055  
3522MQ00.DWG