

RECEIVED

# Map to Accompany Application for a Water Right Transfer

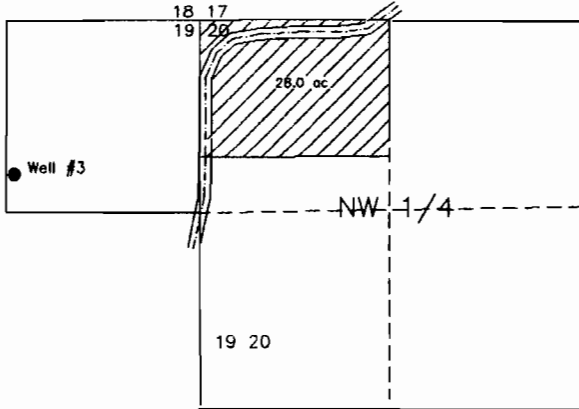
Lake County, Oregon

RECEIVED

APR 24 2003

WATER RESOURCES DEPT.  
SALEM, OREGON

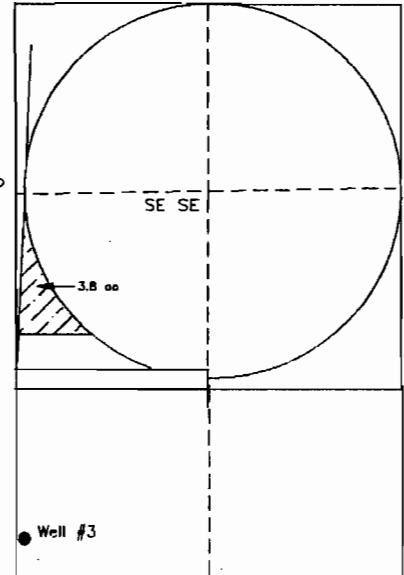
Authorized Place of Use  
Section 20, T.28S. R.15E., W.M.  
Tax Lot 1000



28.0 acres to transfer from  
Permit G-6174 C-76442

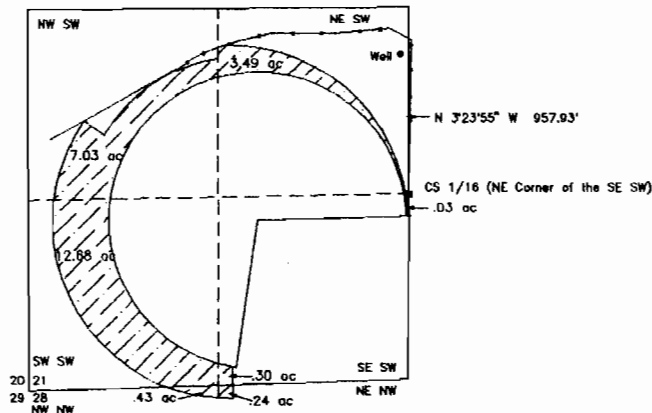
Authorized POA is Well #3 located  
1040' S and 1250' W of the  
NE corner of Section 19  
(Marjorie Iverson Well)

Proposed Place of Use  
Section 18, T.28S. R.15E., W.M.  
Tax Lot 1100  
Lawrence & Marjorie Iverson

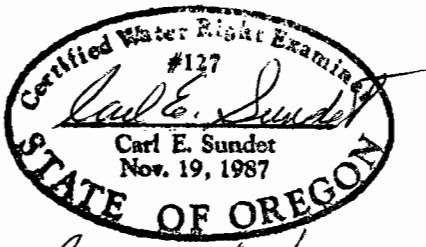


3.8 acres to transfer to  
Proposed POA is Well #3 located  
1040' S and 1250' W of the NE  
corner of Section 19  
(Marjorie Iverson Well)

Proposed Place of Use  
Section 21, T.28S. R.14E., W.M.  
Tax Lot 2400  
Lance & Carrie Brown



24.2 acres to transfer to  
Proposed POA is located N3°23'55" W  
957.93' from the CS 1/16 corner  
(NE corner of the SE SW) Section  
21



Renews 6/30/04

Prepared by: Sundet & Associates  
P.O. Box 1228  
Lakeview, OR 97630  
April 2003 Drawing #16603T

This map is for the purpose of identifying the location of the water right only and is not intended to provide legal dimensions or property ownership lines.

T-9415

# Claim of Beneficial Use Map

Section 21 & 28, T.28S. R.14E., W.M.

Lake County, Oregon

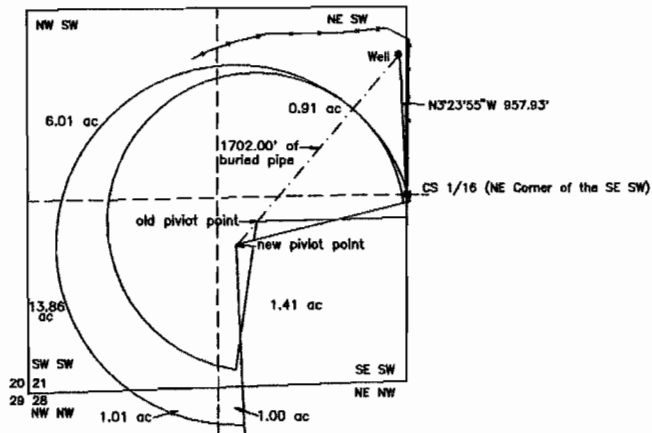
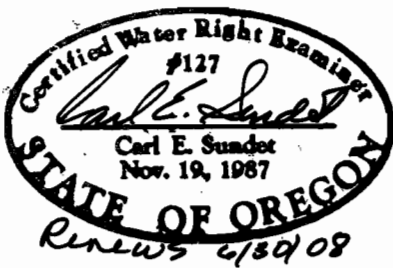
Transfer 9415

Tax Lot 2400


Lance & Carrie Brown



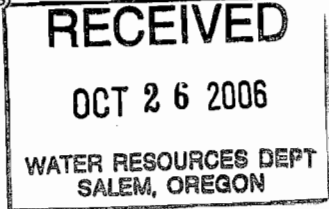
SCALE  
1" = 1320'



Note:  
Acres developed in the SE1/4SW1/4 have  
shifted from original location (T-8713).

 24.2 acres transferred to

POA (well) is located N3°23'55"W  
957.93' from the CS 1/16 corner  
(NE corner of the SE SW) Section  
21



Prepared by: Sundet & Associates  
P.O. Box 1228  
Lakeview, OR 97630  
October 2006 Drawing #1279wr3

This map is for the purpose of identifying the location of  
the water right only and is not intended to provide legal  
dimensions or property ownership lines.