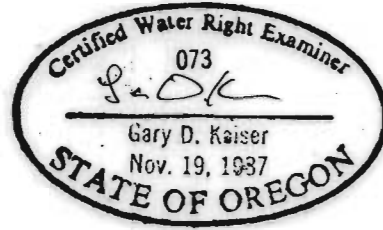
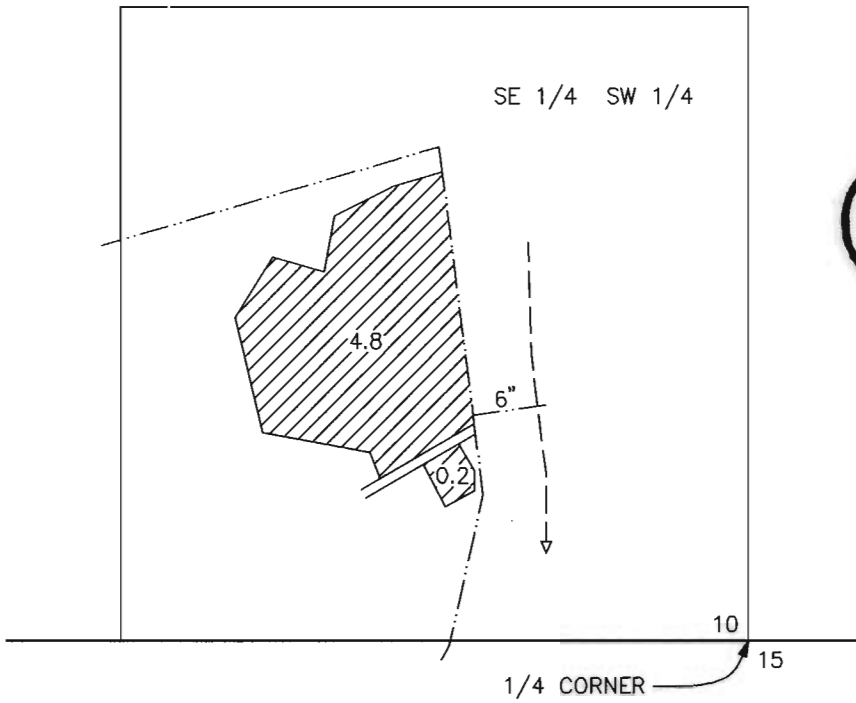


T.36S.,R.2E.,W.M.
CLAIM OF BENEFICIAL USE MAP



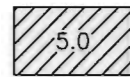
SCALE 1" = 400



RECEIVED

AUG 29 2005

WATER RESOURCES DEPT
SALEM, OREGON

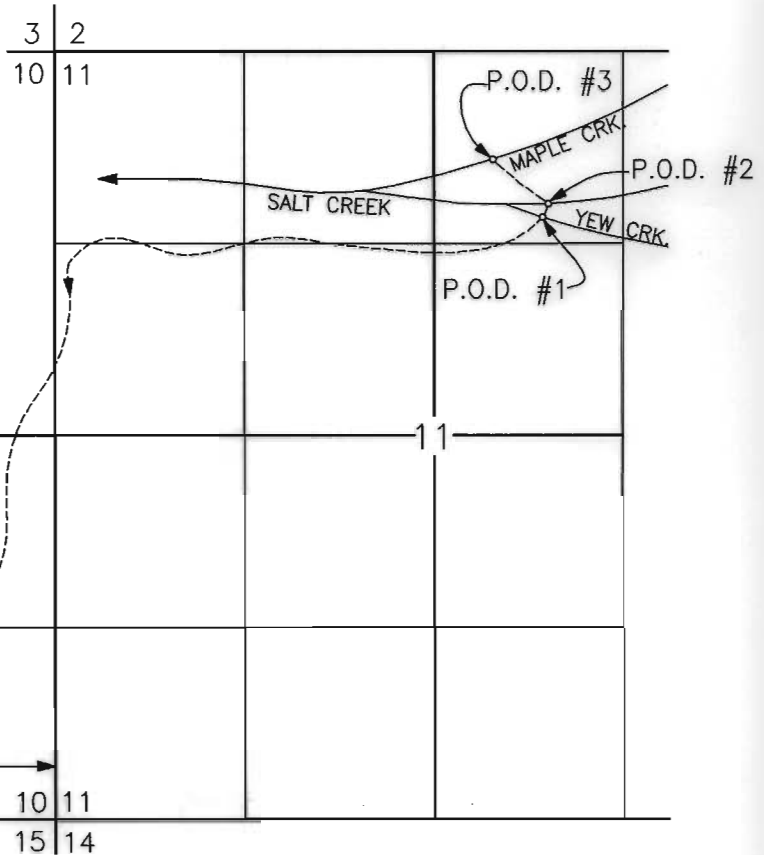


NEW PLACE OF USE

P.O.D. #1 (YEW CRK.) 790' E. & 1100' S. FROM NORTH 1/4 COR. SECTION 11 (CERT. 79747, PERMIT 25001)

P.O.D. #2 (SALT CRK.) 850' E. & 710' S. FROM NORTH 1/4 COR. SECTION 11 (CERT. 79747, PERMIT 25001)

P.O.D. #3 (MAPLE CRK.) 480' E. & 410' S. FROM NORTH 1/4 COR. SECTION 11 (CERT. 79748, PERMIT 27726)



SCALE 1" = 1320'

PT. OF DIV. WADE RES.

WADE RES. PERMIT R-2042

1020'

2540'

APPLICATION NO. T-8863
IN THE NAMES OF:
CHUCK & BILL BRUCE
380 LAKE CREEK LOOP
EAGLE POINT, OREGON 97524

MAP PREPARED AUGUST 23, 2005
BY GARY D. KIASER

NOTE: MAP PREPARED FOR WATER RIGHT PURPOSE ONLY, NOT FOR PROPERTY BOUNDARY LOCATIONS.