

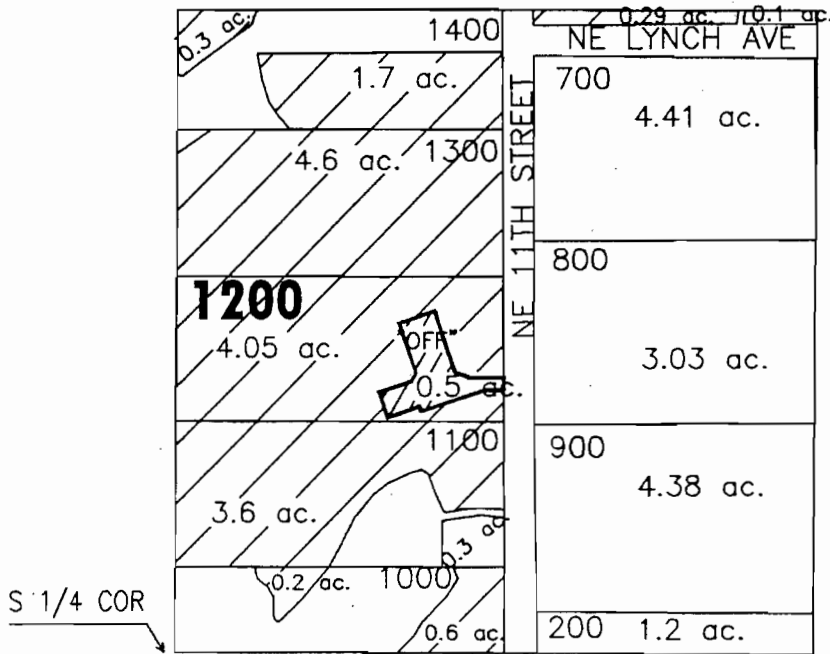
# EXHIBIT 'D'

DESCHUTES COUNTY  
SEC.22 T14S. R13E. W.M.

SCALE - 1" = 400'



SW 1/4 OF THE SE 1/4



APPLICATION FOR WATER RIGHT TRANSFER

LOYAL & BLANCHE KLOSE / REX & BERTA HEISLER - 0.5 ACRES

"OFF" MAP

**RECEIVED**

JUN - 6 2003

WATER RESOURCES DEPT.  
SALEM, OREGON

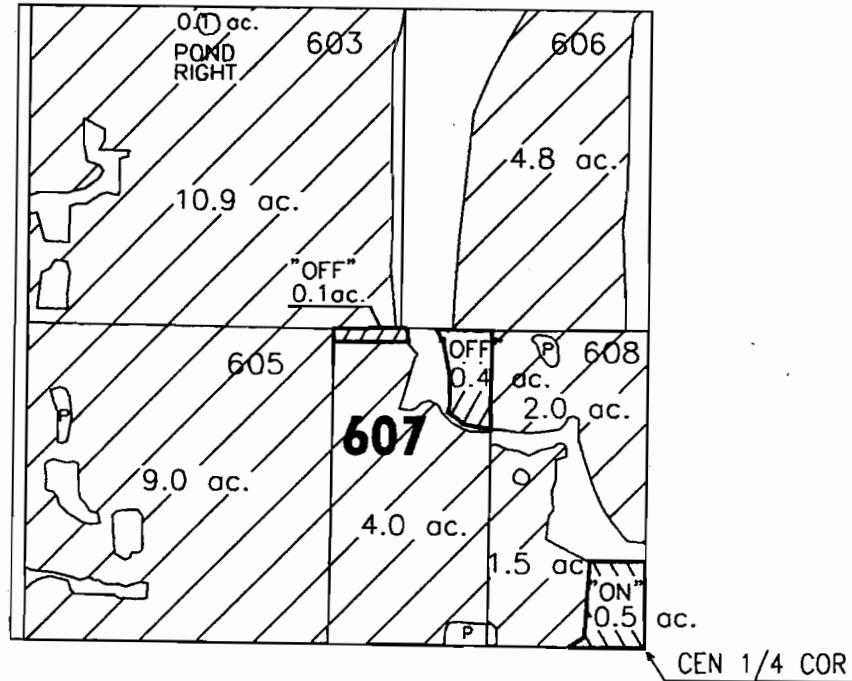
T-9462

DESCHUTES COUNTY  
SEC.32 T14S. R13E. W.M.

SCALE - 1" = 400'



SE 1/4 OF THE NW 1/4



APPLICATION FOR WATER RIGHT TRANSFER

DAVID & LINDA VALLIE / DAVID & LINDA VALLIE - 0.5 ACRES

"OFF" / "ON" MAP

**RECEIVED**

JUN - 6 2003

WATER RESOURCES DEPT.  
SALEM, OREGON

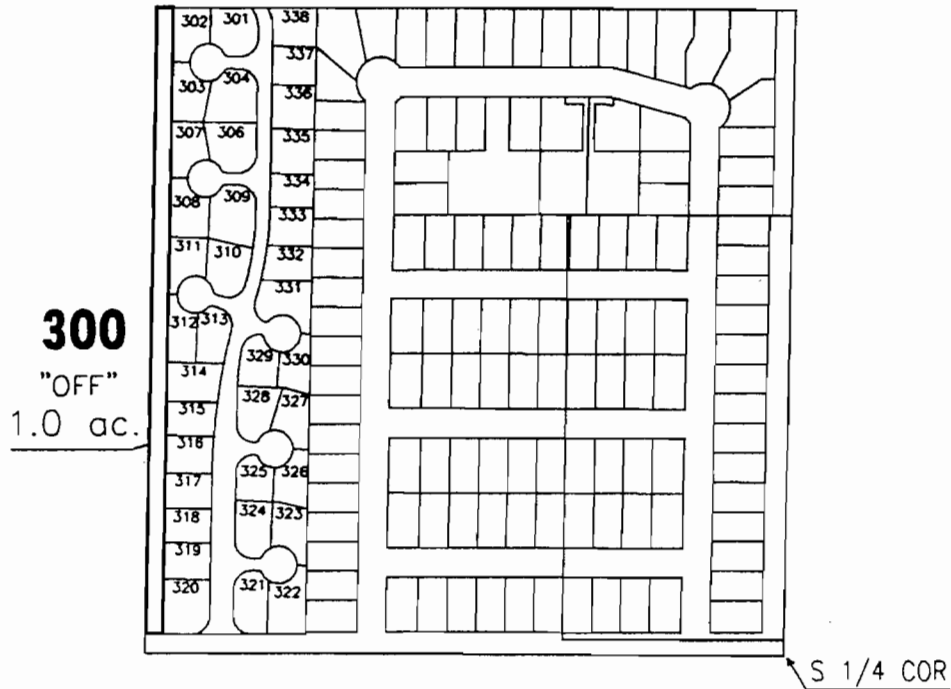
T-9462

DESCHUTES COUNTY  
SEC.03 T15S. R13E. W.M.

SCALE - 1" = 400'



SE 1/4 OF THE SW 1/4



APPLICATION FOR WATER RIGHT TRANSFER

NI-LA-SHA VILLAGE #1 / JOEL & ELIZABETH NANCE - 1.0 ACRES

"OFF" MAP

**RECEIVED**

JUN - 6 2003

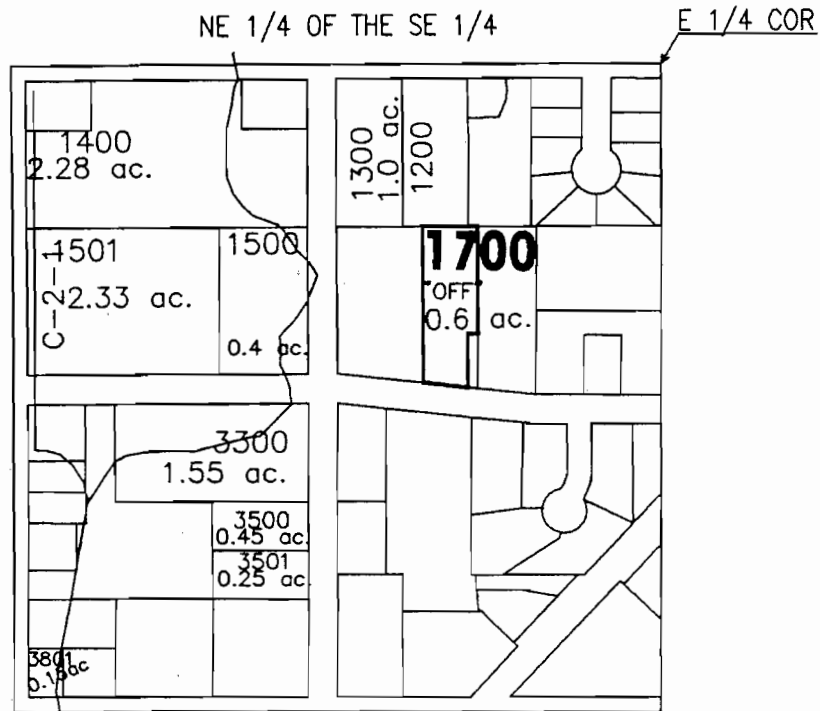
WATER RESOURCES DEPT.  
SALEM, OREGON

T-9462

# EXHIBIT "D"

DESCHUTES COUNTY  
SEC. 20 T15S. R13E. W.M.

SCALE - 1" = 400'



APPLICATION FOR WATER RIGHT TRANSFER  
COID FOR TRIG DEV. / REX & BERTA HEISLER - 0.6 ACRES

"OFF" MAP

**RECEIVED**

JUN - 6 2003

WATER RESOURCES DEPT.  
SALEM, OREGON

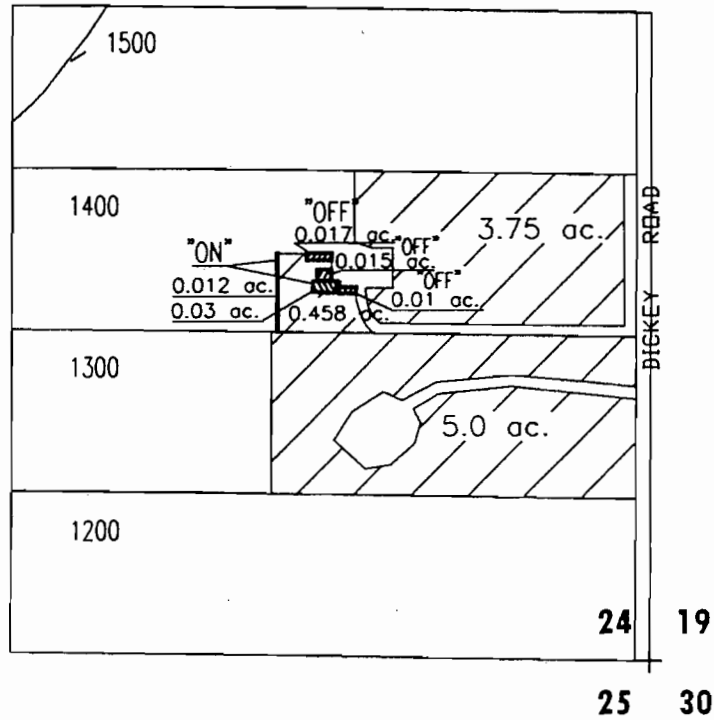
T-9462

DESCHUTES COUNTY  
SEC. 24 T17S. R12E. W.M.

SCALE - 1" = 400'



SE 1/4 OF THE SE 1/4



APPLICATION FOR WATER RIGHT TRANSFER

JERRY L. & CLYDETTE L.WALKER / JERRY L. & CLYDETTE L.WALKER - 0.042 ACRES

"OFF" / "ON" MAP

**RECEIVED**

JUN - 6 2003

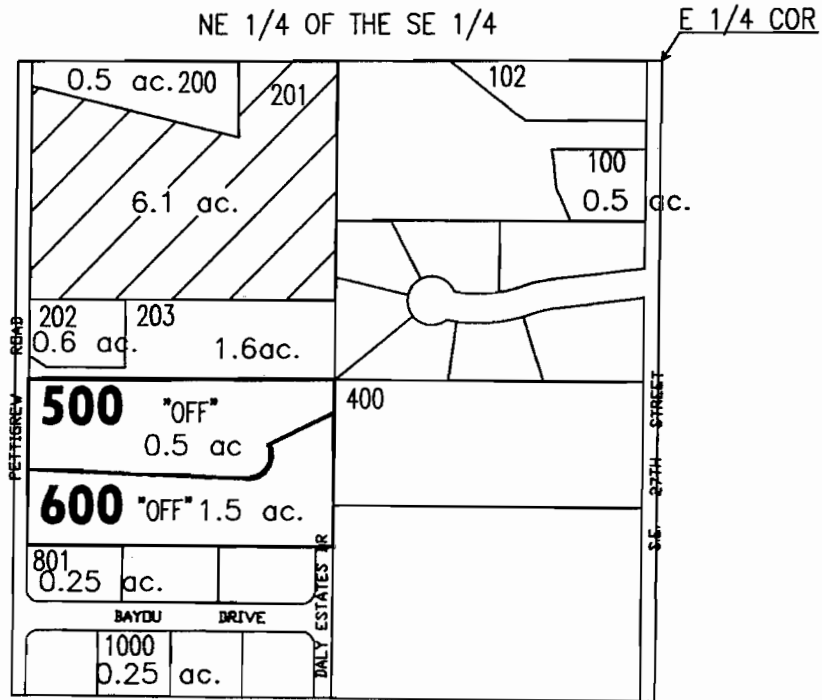
WATER RESOURCES DEPT.  
SALEM, OREGON

T-9462

# EXHIBIT D

DESCHUTES COUNTY  
SEC.03 T18S. R12E. W.M.

SCALE - 1" = 400'



APPLICATION FOR WATER RIGHT TRANSFER

COID FOR RAY & JOAN SPONGBURG / BRUCE LEISZ - 2.0 ACRES

"OFF" MAP

**RECEIVED**

JUN - 6 2003

WATER RESOURCES DEPT.  
SALEM, OREGON

T-9462

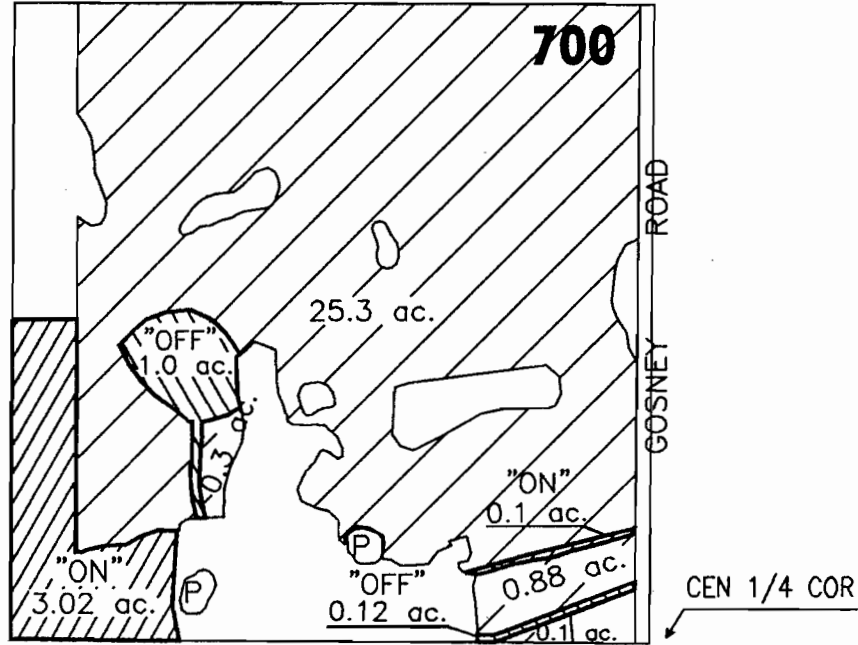
# EXHIBIT D

DESCHUTES COUNTY  
SEC.05 T18S. R13E. W.M.

SCALE - 1" = 400'



NE 1/4 OF THE SW 1/4



APPLICATION FOR WATER RIGHT TRANSFER

BRUCE LEISZ / BRUCE LEISZ - 1.12 ACRES

COID FOR RAY SPONGBERG / BRUCE LEISZ - 2.0 ACRES

3.12 ACRES TOTAL

"OFF" / "ON" MAP

**RECEIVED**

JUN - 6 2003

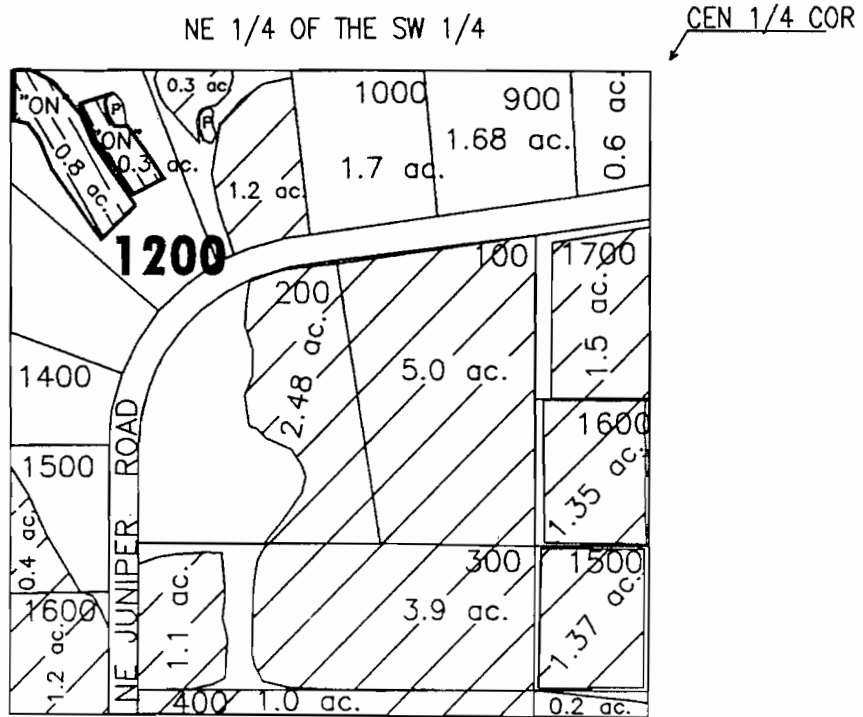
WATER RESOURCES DEPT  
SALEM, OREGON

T-9462

# EXHIBIT "D"

DESCHUTES COUNTY  
SEC.22 T14S. R13E. W.M.

SCALE - 1" = 400'



APPLICATION FOR WATER RIGHT TRANSFER  
COID FOR TRIG DEV. / REX & BERTA HEISLER - 0.6 ACRES  
LOYAL & BLANCHE KLOSE / REX & BERTA HEISLER - 0.5 ACRES

"ON" MAP

**RECEIVED**

JUN - 6 2003

WATER RESOURCES DEPT.  
SALEM, OREGON

T-9462



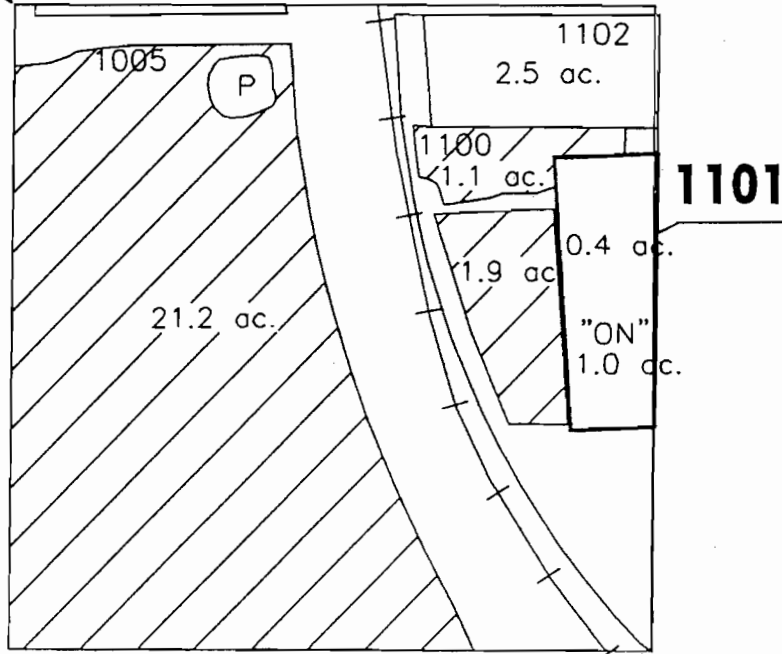
DESCHUTES COUNTY  
SEC.28 T14S. R13E. W.M.

SCALE - 1" = 400'



CEN 1/4 COR

NW 1/4 OF THE SE1/4



APPLICATION FOR WATER RIGHT TRANSFER

NI-LA-SHA VILLAGE #1 / JOEL & ELIZABETH NANCE - 1.0 ACRES

"ON" MAP

**RECEIVED**

JUN - 6 2003

WATER RESOURCES DEPT  
SALEM, OREGON

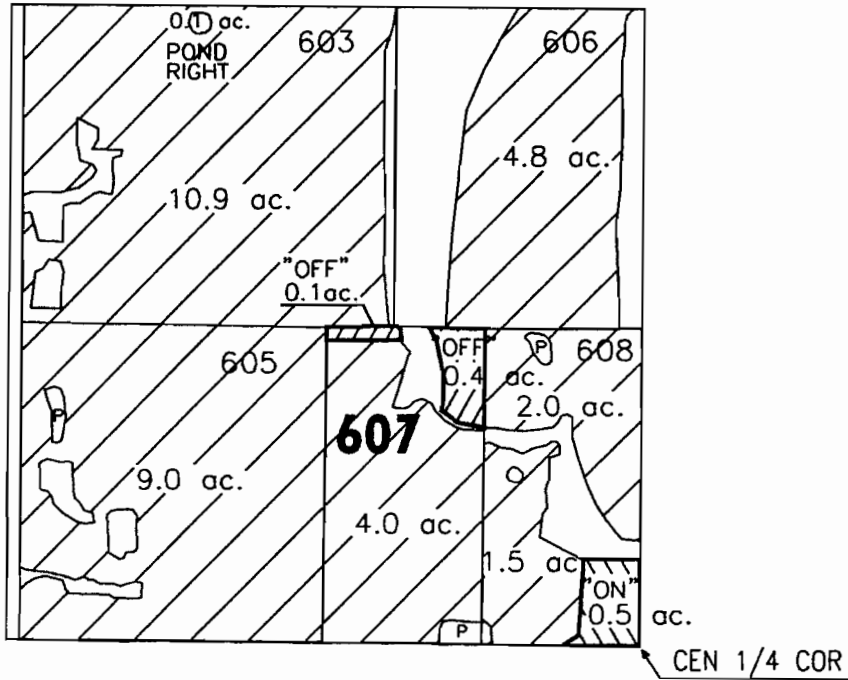
T-9462

DESCHUTES COUNTY  
SEC.32 T14S. R13E. W.M.

SCALE - 1" = 400'



SE 1/4 OF THE NW 1/4



APPLICATION FOR WATER RIGHT TRANSFER

DAVID & LINDA VALLIE / DAVID & LINDA VALLIE - 0.5 ACRES

"OFF" / "ON" MAP

**RECEIVED**

JUN - 6 2003

WATER RESOURCES DEPT.  
SALEM, OREGON

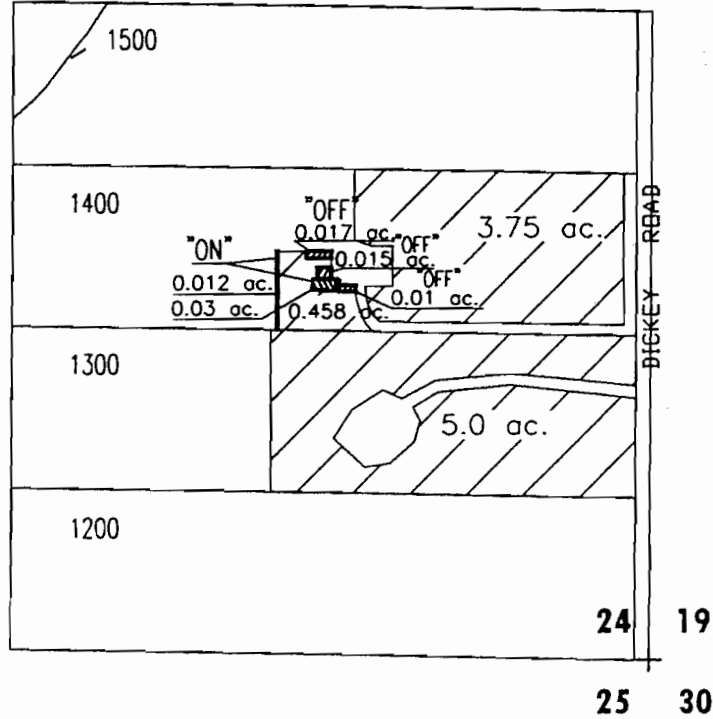
T-9462

DESCHUTES COUNTY  
SEC.24 T17S. R12E. W.M.

SCALE - 1" = 400'



SE 1/4 OF THE SE 1/4



APPLICATION FOR WATER RIGHT TRANSFER

JERRY L. & CLYDETTE L.WALKER / JERRY L. & CLYDETTE L.WALKER - 0.042 ACRES

"OFF" / "ON" MAP

**RECEIVED**

JUN - 6 2003

WATER RESOURCES DEPT.  
SALEM, OREGON

T-9462

DISTRICT INTERNAL  
NOTICE #: T-2003-017

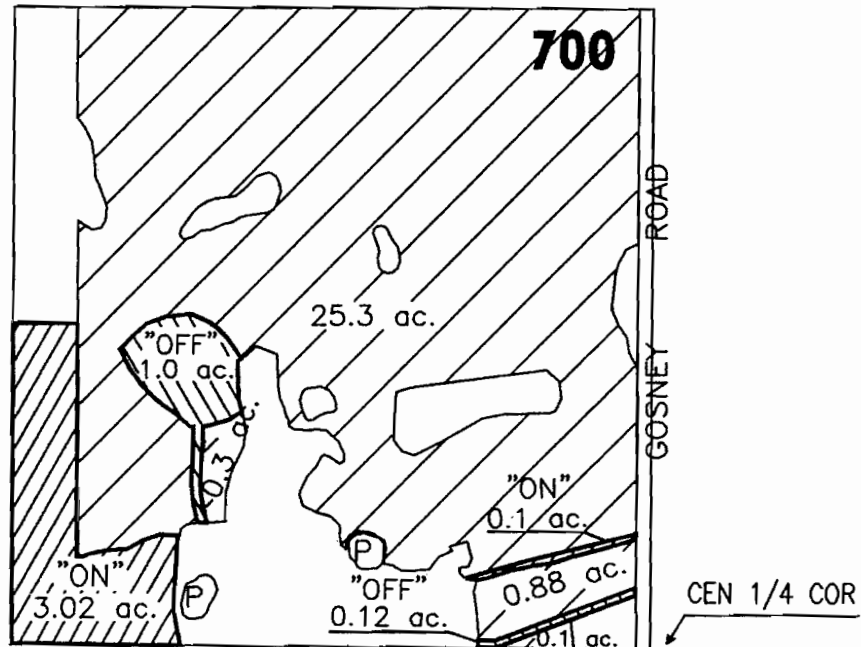
# EXHIBIT D

DESCHUTES COUNTY  
SEC.05 T18S. R13E. W.M.

SCALE - 1" = 400'



NE 1/4 OF THE SW 1/4



APPLICATION FOR WATER RIGHT TRANSFER

BRUCE LEISZ / BRUCE LEISZ - 1.12 ACRES

COID FOR RAY SPONGBERG / BRUCE LEISZ - 2.0 ACRES

3.12 ACRES TOTAL

"OFF" / "ON" MAP

**RECEIVED**

JUN - 6 2003

WATER RESOURCES DEPT.  
SALEM, OREGON

DATE: 5-08-03  
FILE NO: E:\TRANSFER\WRTRAN03\LEISZ

T-9462