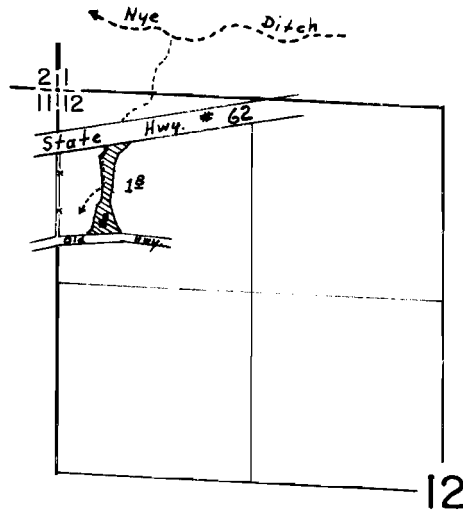


T.33 S.R.2 E.W.M.



FINAL PROOF SURVEY UNDER

Transfer No. U-10

Application No. _____ Permit No. _____
IN NAME OF

Mrs. Hazel Ulrich

Surveyed March 8, 1968, by D. C. Hendrix