

CLAIM OF BENEFICIAL USE MAP
PERMIT - S54820

FOR
MICHAEL HART AND KARIN S. HART
2090 EAST LAKESHORE DRIVE
AGOURA, CA 91301

SITUATED
12145 OREGON STATE HIGHWAY NO. 238
JACKSONVILLE, OR 97530

J. O'BRIEN DLC NO. 37, NW1/4NE1/4, SW1/4NE1/4 SECTION 25
TOWNSHIP 38 SOUTH, RANGE 4 WEST, W.M.
JACKSON COUNTY, OREGON

NW Corner
DLC No. 37
(Not Visited)



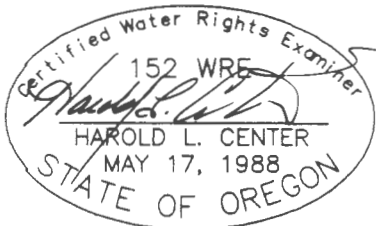
Scale: 1"=100'

Date: August 23, 2023

LEGEND

- Found Survey Monument
- △ Denotes Computed Point
- Denotes Building or Structure
- ⊙ Denotes Point of Diversion
- ⊕ Denotes Pump Location
- Ⓜ Denotes Flow Meter
- Ⓧ Denotes Fish Screen
- Denotes Approximate Quarter-Quarter Line
- ▨ Denotes Place of Use

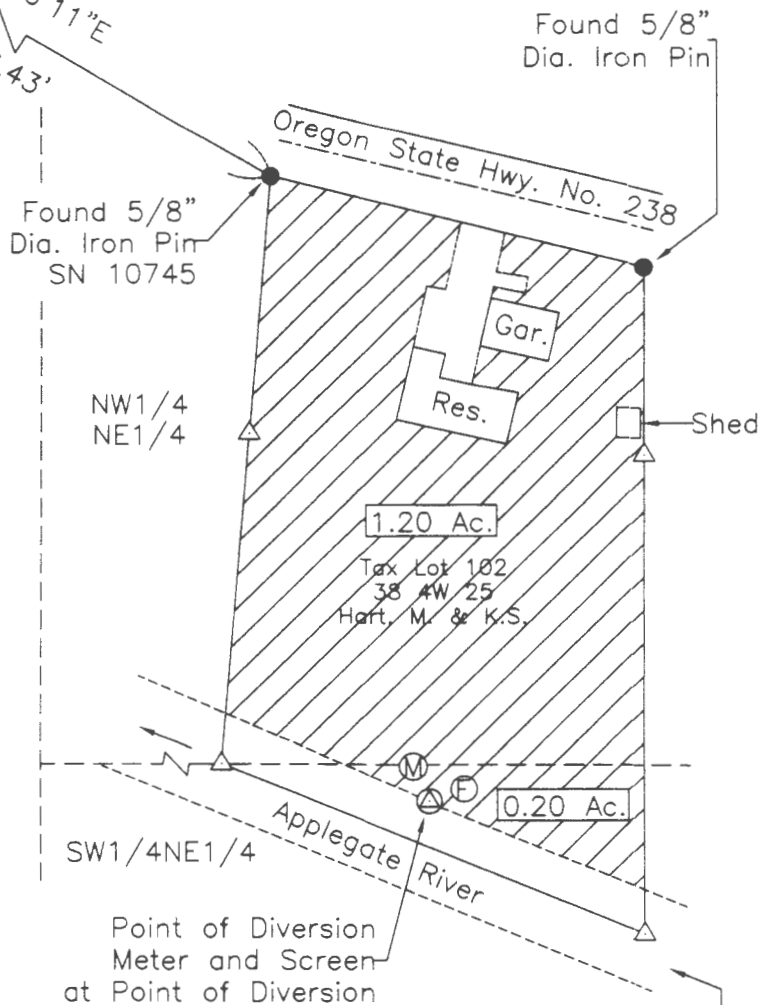
Point of Diversion—Sited 825' South and 1540' East from NW Corner DLC No. 37.



HAROLD L. CENTER
2604 David Lane
Medford, OR. 97504
Phone 541-535-6108
Oregon Certificate No. 152
Certificate Renewal Date: 12/31/2023

Project: HART 23-4

This map was prepared for the purpose of identifying the location of a water right only and is not intended to provide legal dimensions or location of property ownership.



Source: Applegate River
Permit R-7810

RECEIVED

SEP 01 2023

OWRD