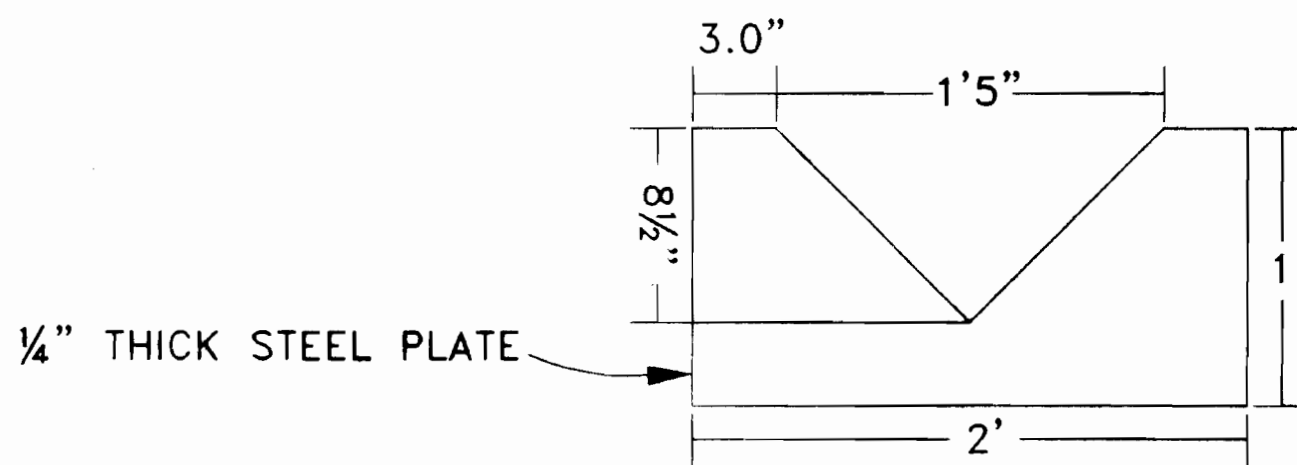


NOT TO SCALE

AS-BUILT WEIR PLANS

Site is located in the SW $\frac{1}{4}$ NW $\frac{1}{4}$ of Section 21, Township 31 South, Range 15 West, Willamette Meridian
Application R-74440

"V" NOTCH WEIR DIMENSIONS



FLOW CAPACITY PER WEIR	
1"	= 0.005 cfs
2"	= 0.028 cfs
3"	= 0.078 cfs
4"	= 0.160 cfs
5"	= 0.280 cfs
6"	= 0.442 cfs
7"	= 0.650 cfs
8"	= 0.907 cfs

RECEIVED

AUG 01 2000

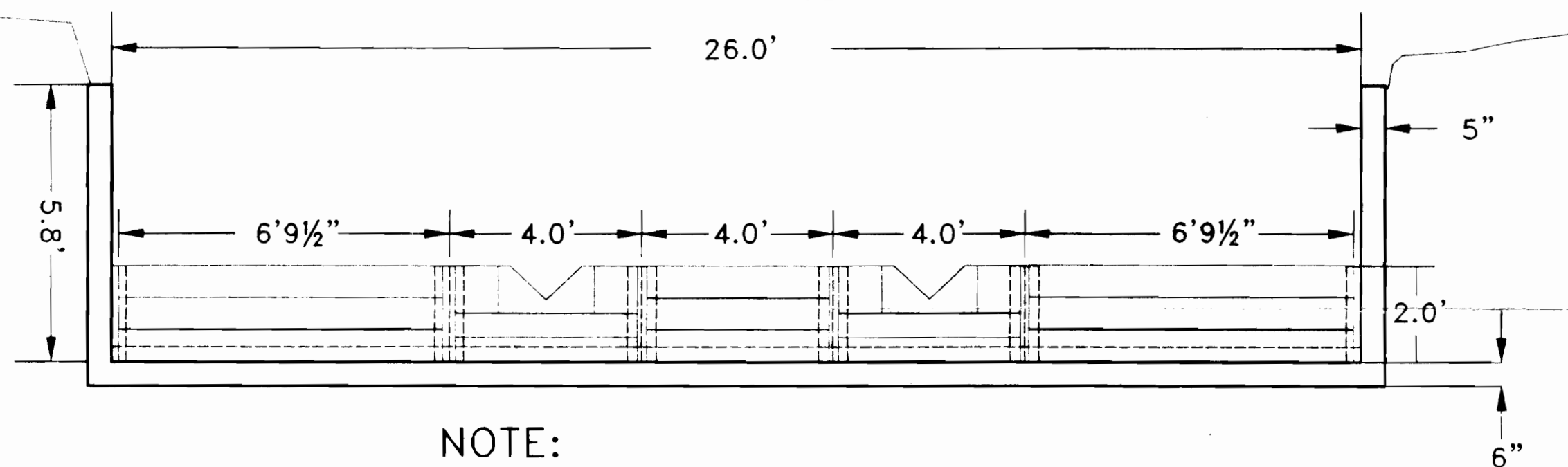
WATER RESOURCES DEPT.
SALEM, OREGON

Prepared For:
Sea Winds Farms Inc.
P.O. Box 242
Sixes, OR 97476

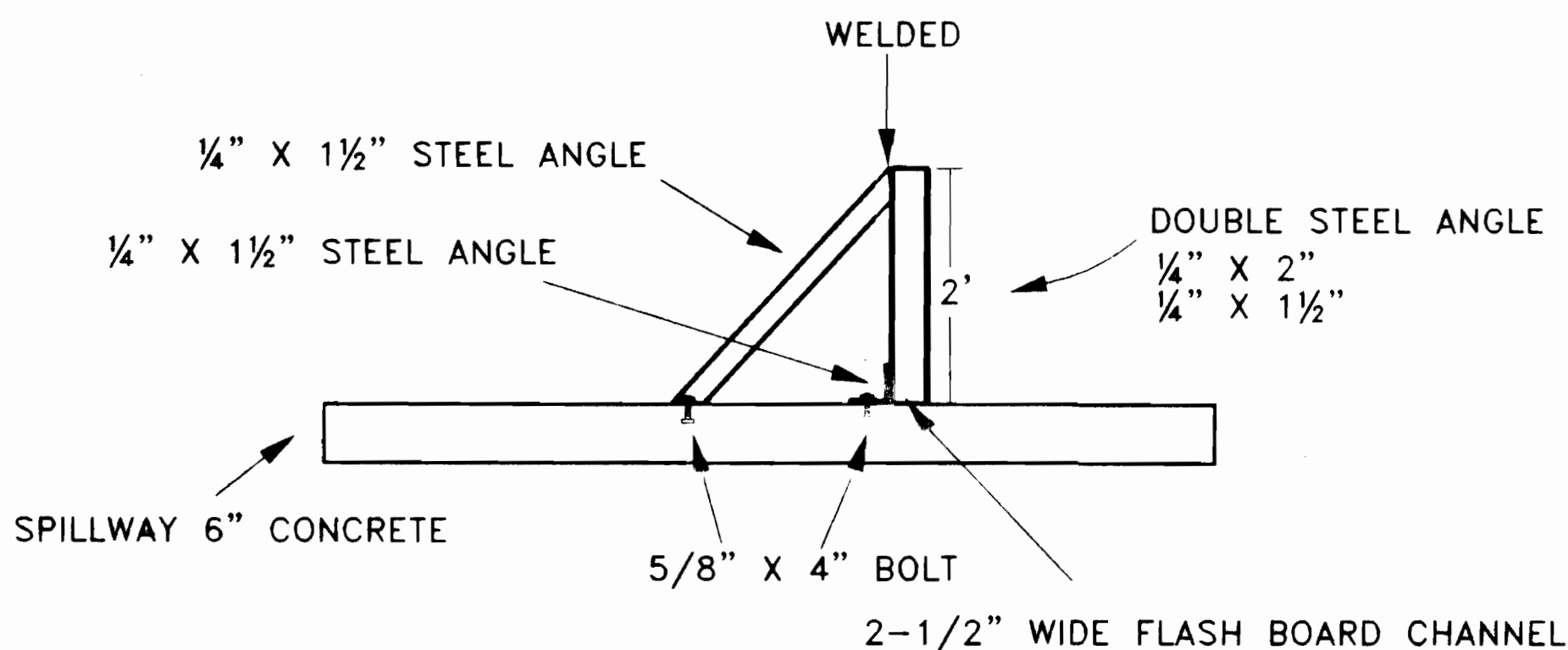
Ground Elev. 58.0'

FRONT VIEW

Crest Elev. 50.0'



SIDE VIEW TYPICAL WEIR DETAILS & SUPPORT



NOTE:

Weir brackets are constructed of steel angle and double angle with a 2 $\frac{1}{2}$ " channel for the flash boards. All flash boards are 2 $\frac{1}{4}$ " thick, lengths are 6'9 $\frac{1}{2}$ " & 4', widths are 6", 8" & 12". Flash boards are installed between December 15 and May 15.

Permit will require 0.5 cfs bypass flow. An Alaska Fish Passage has been installed nearby and passes a flow of 5 to 6 cfs.

Elevations at the dam site were established by using the 7.5 minute series Sixes Quadrangle map.

WATER RESOURCES DEPARTMENT
DAM SAFETY
APPROVED *[Signature]*
REVIEW 9-21-2000
DATE



Stuntzner Engineering
& Forestry, L.L.C.

ENGINEERING • LAND SURVEYING • FORESTRY
PLANNING • WATER RIGHTS
706 South 4th St. Phone: (541) 267-
Post Office Box 118 Coos Bay, Oregon 97420 Fax: (541) 267-

Drawn By: Dennis Gaudin Date: May 11, 2000
Checked By: Tom Wilczek Drawing No.: 00-101
Designed By: Revised: July 10, 2000
Job Name: Sea Wind Farms Sheet 1

R-74440