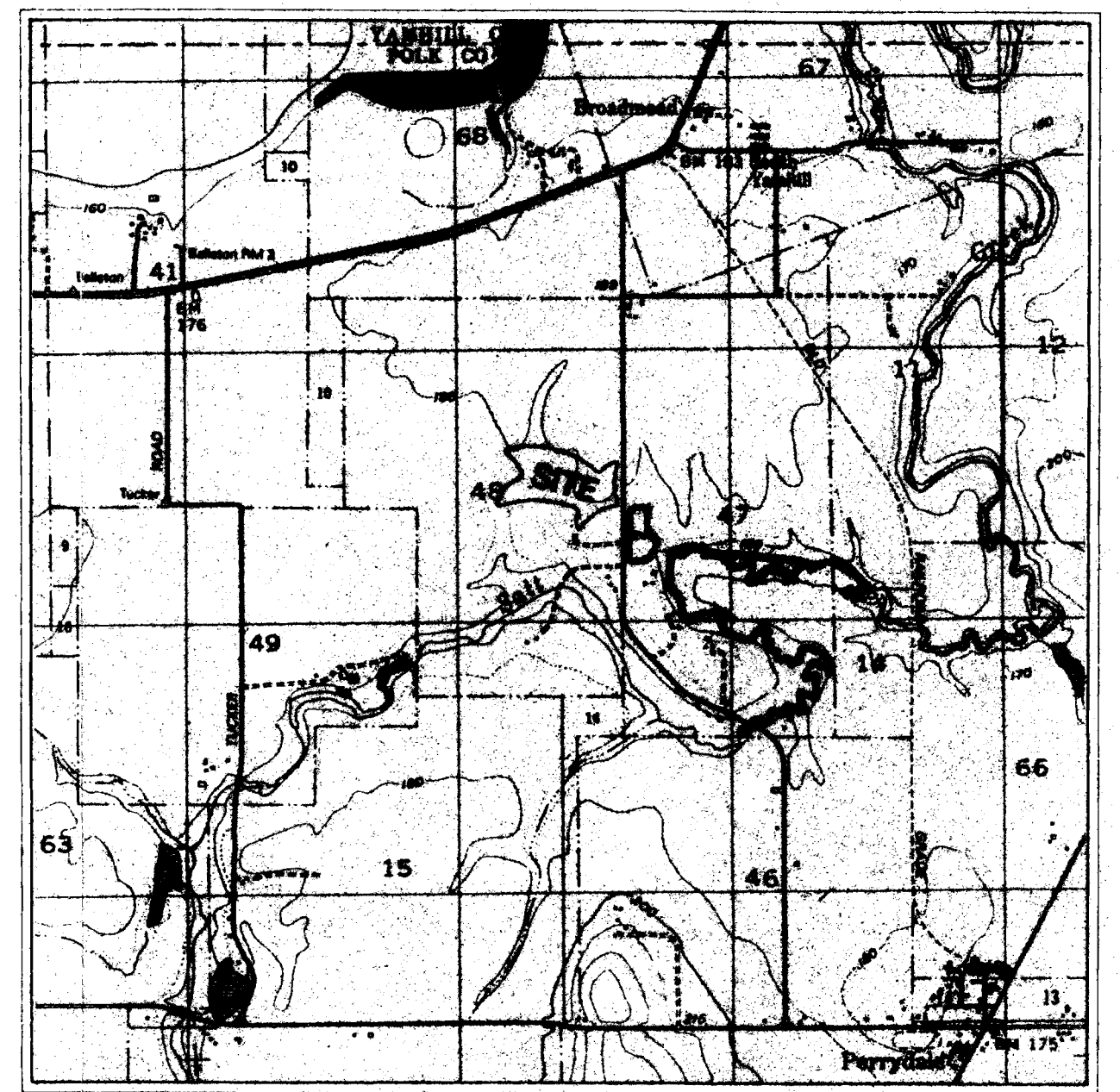
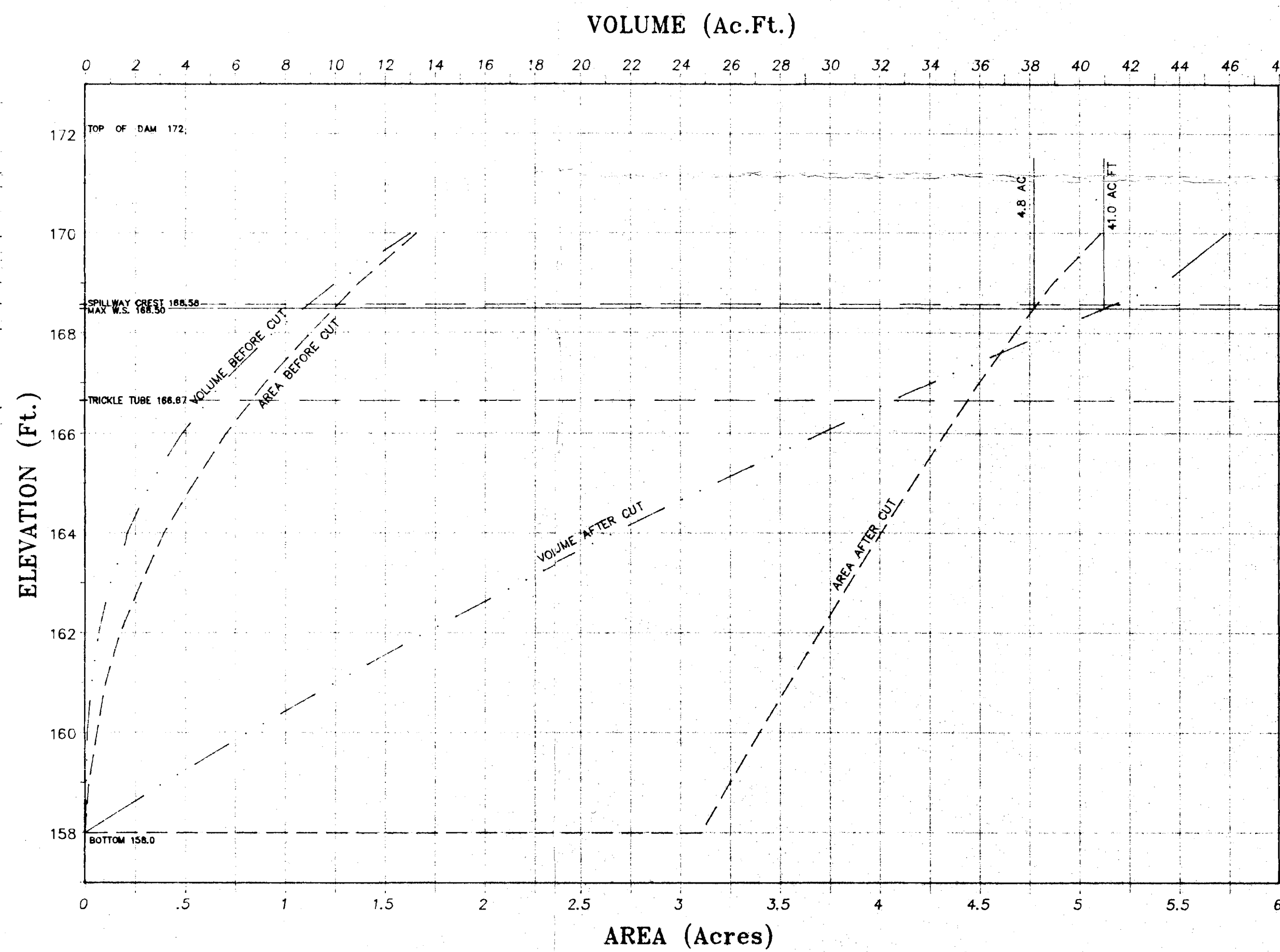


SOIL SAMPLE DETAILS



DRAINAGE AREA 40 ACRES = 0.0635 Sq. Miles
 $Q_u = 45.1$ CFS
 CENTER OF DAM IS 3138' SOUTH & 415' EAST OF THE NORTHWEST CORNER OF JOHN EADES DLC No.47
 SW OF SW SEC. 11, T.6S., R.5W., W.M. - POLK COUNTY

VICINITY MAP
 SCALE 1" = 2000'



AREA AND VOLUME WILL BE ADJUSTED AFTER COMPLETION
 AREA CAPACITY CURVE

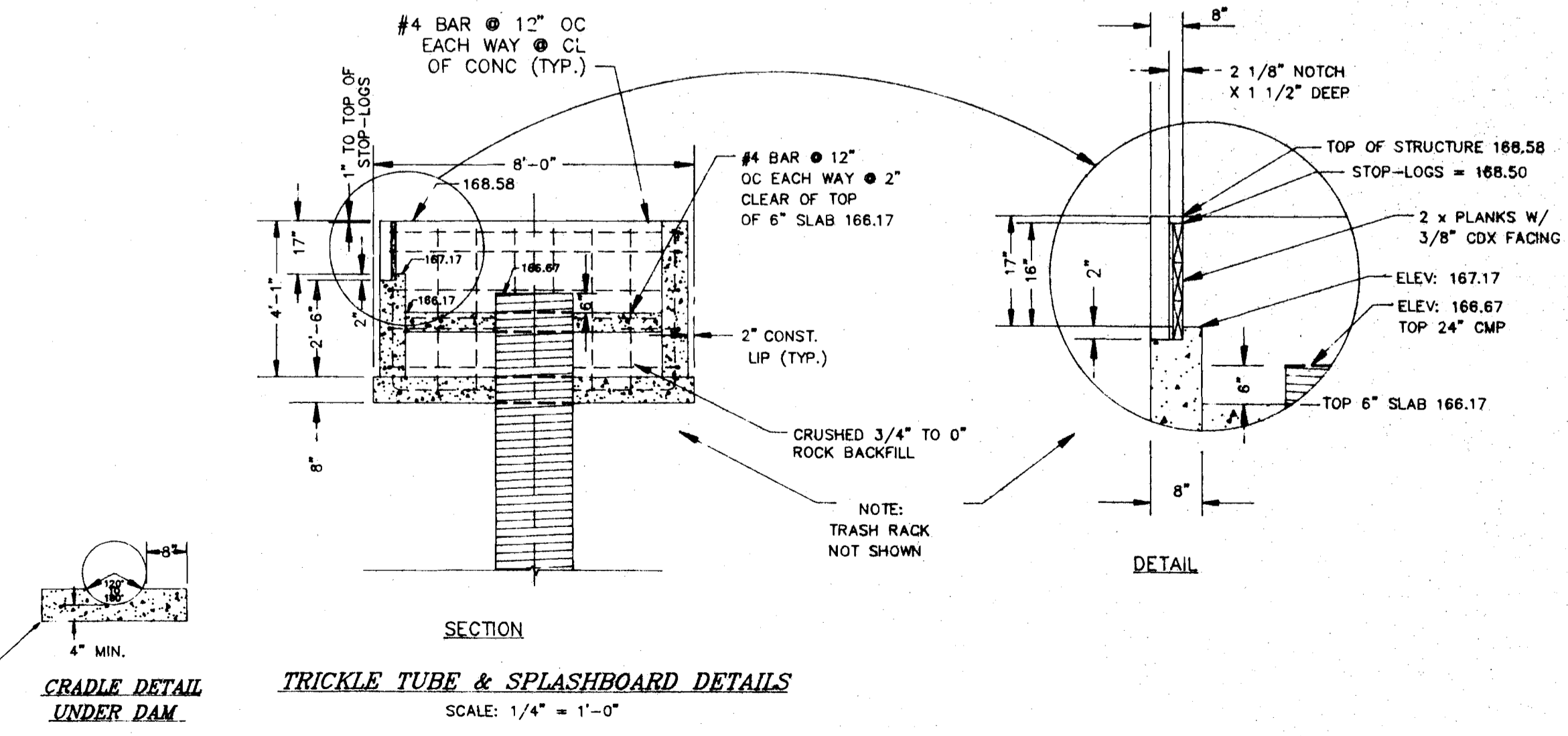
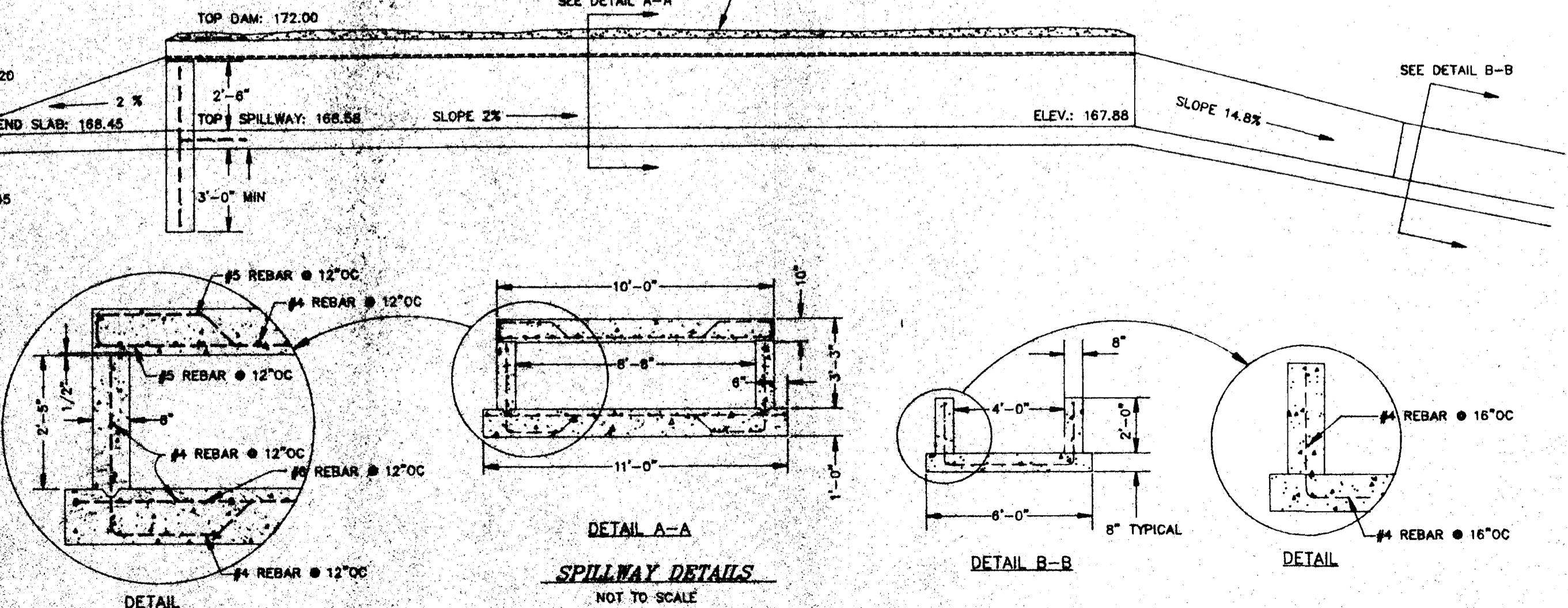
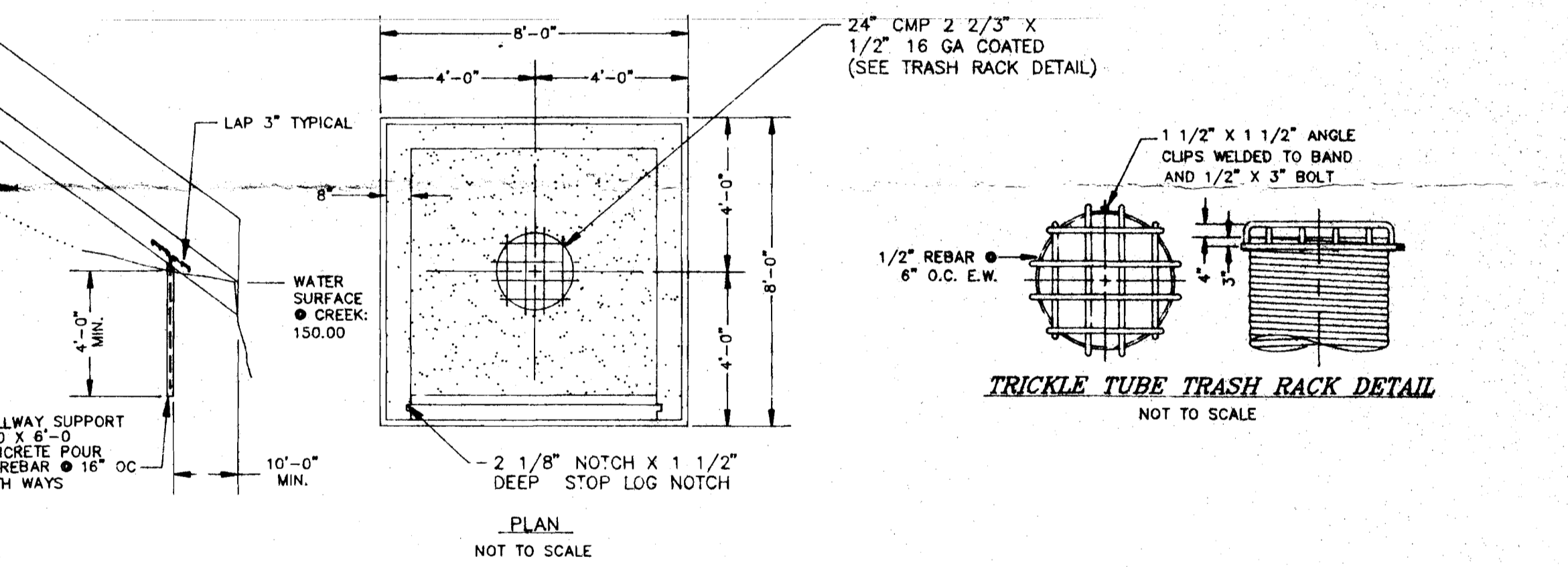
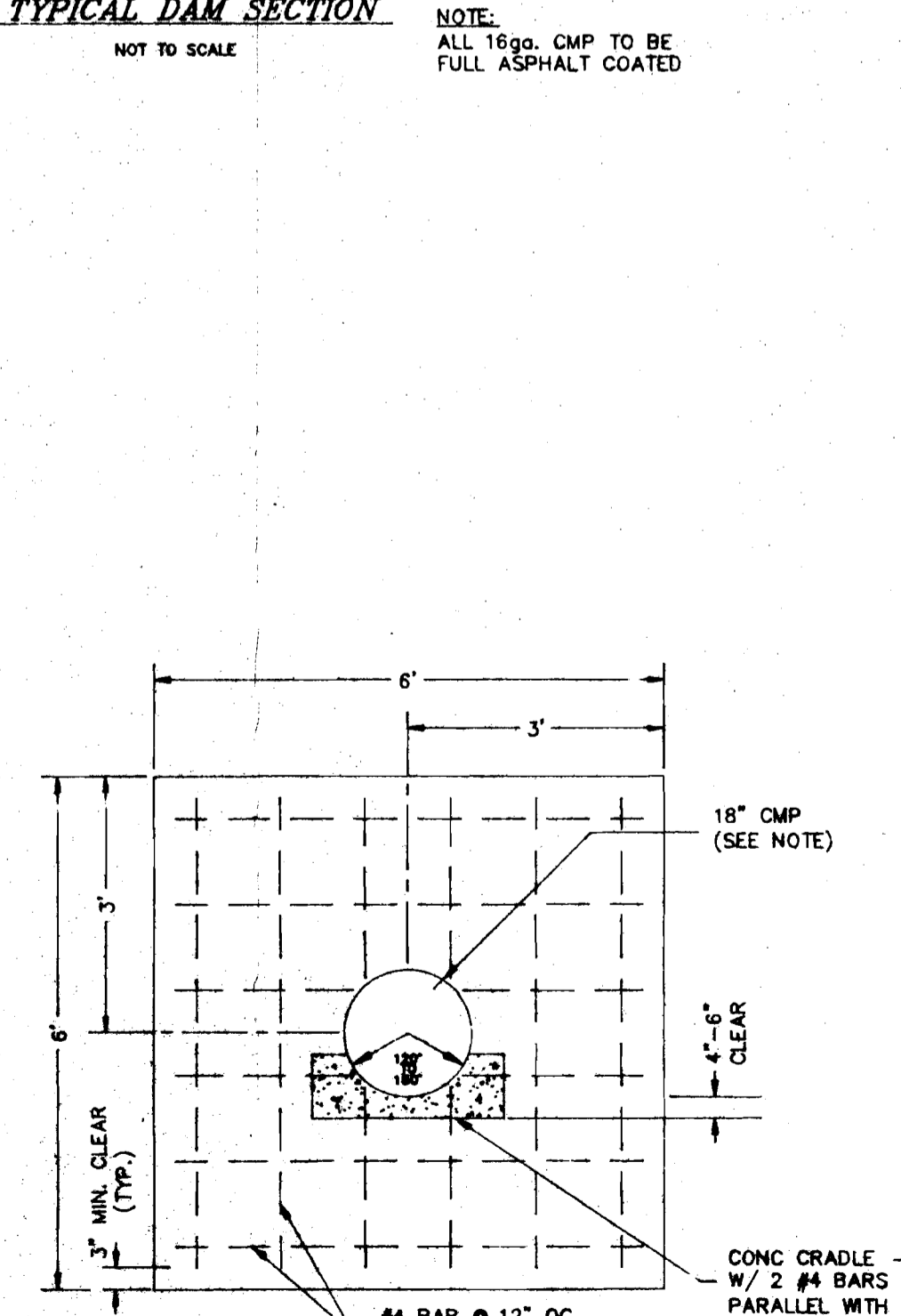
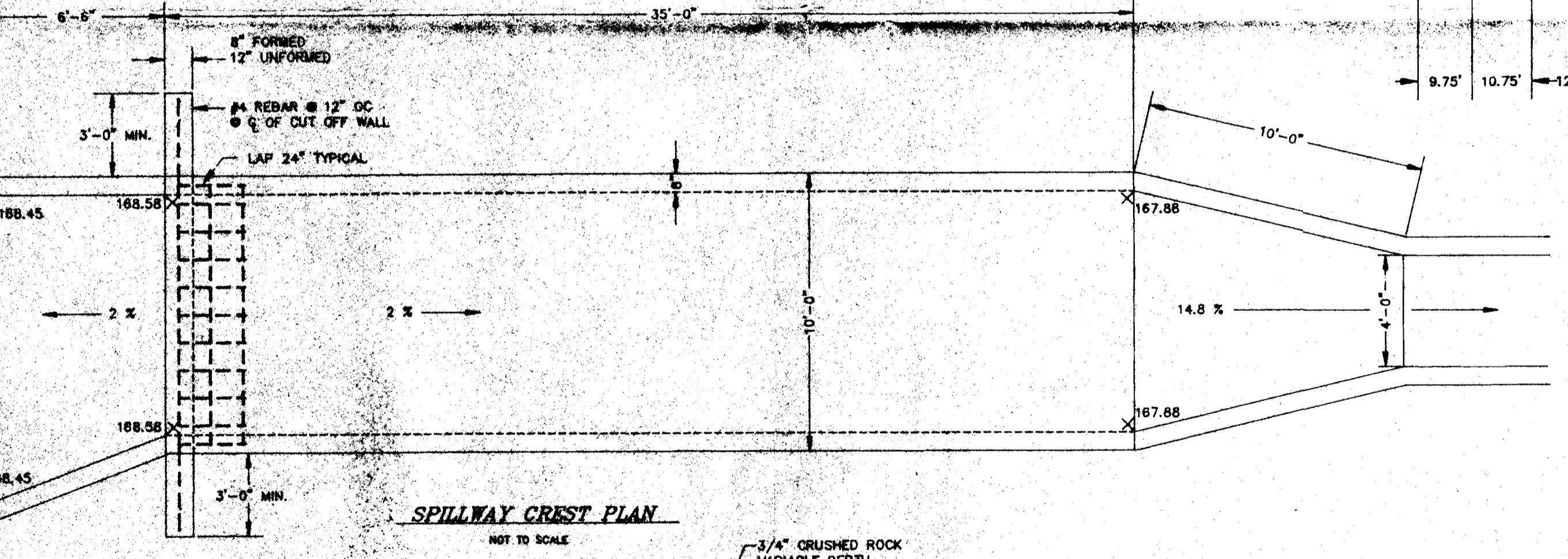
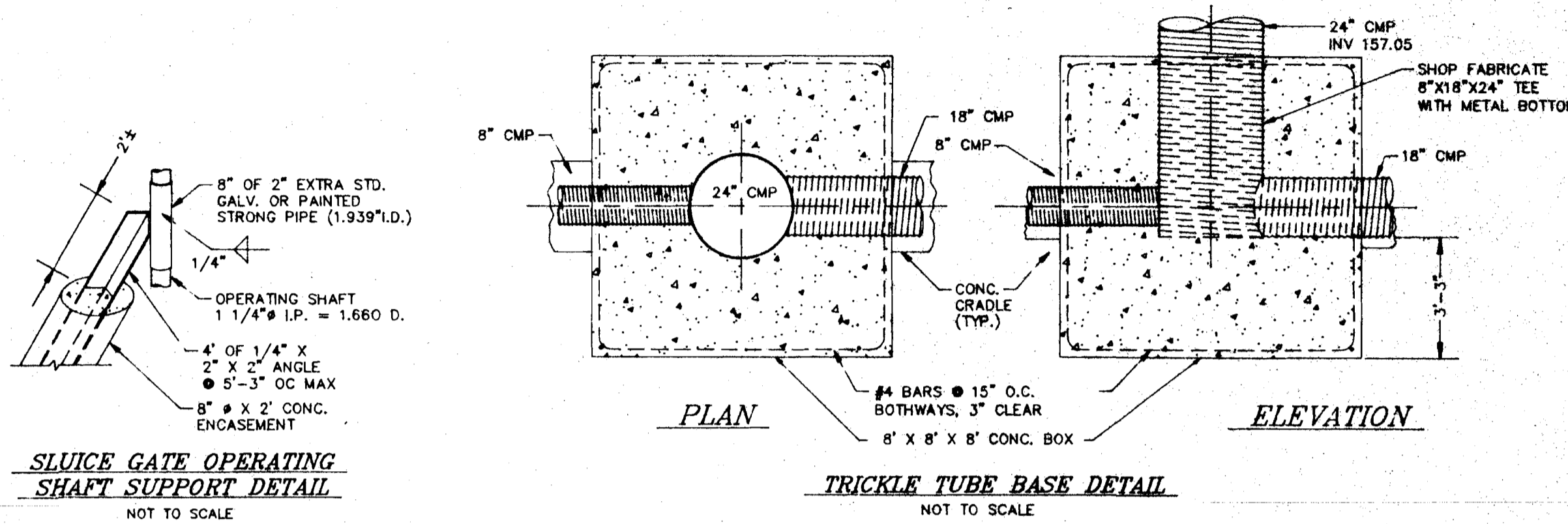
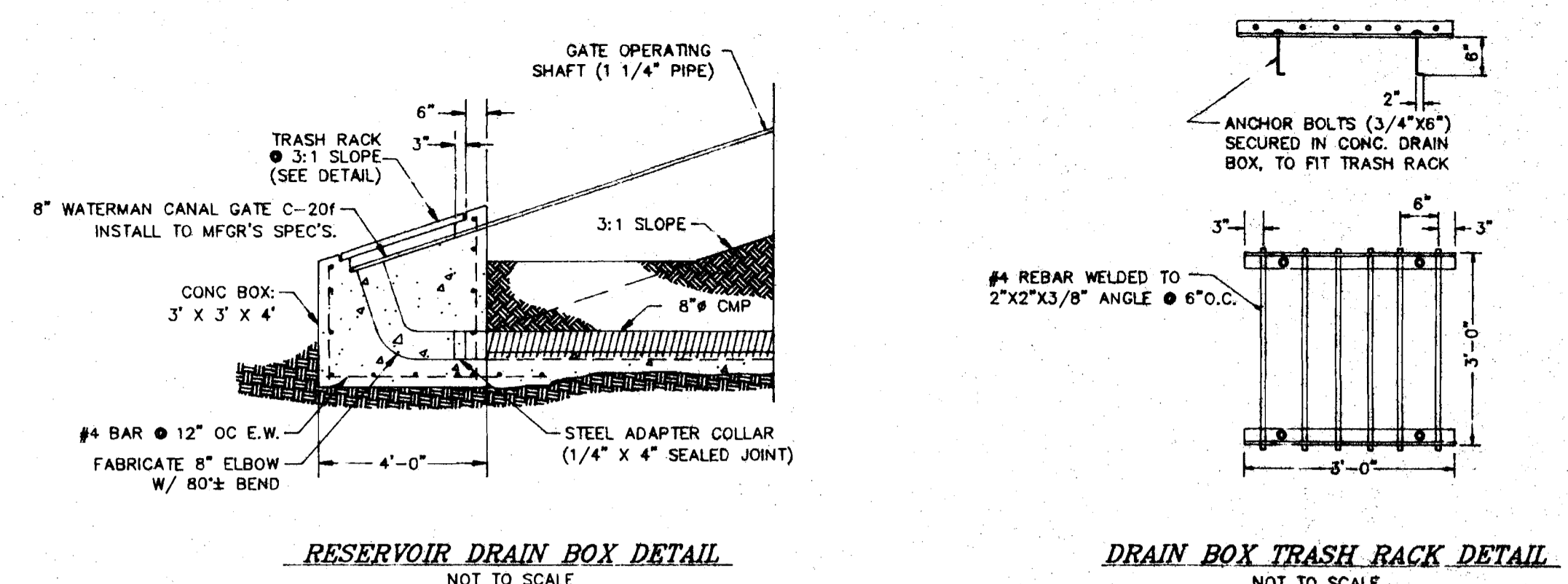
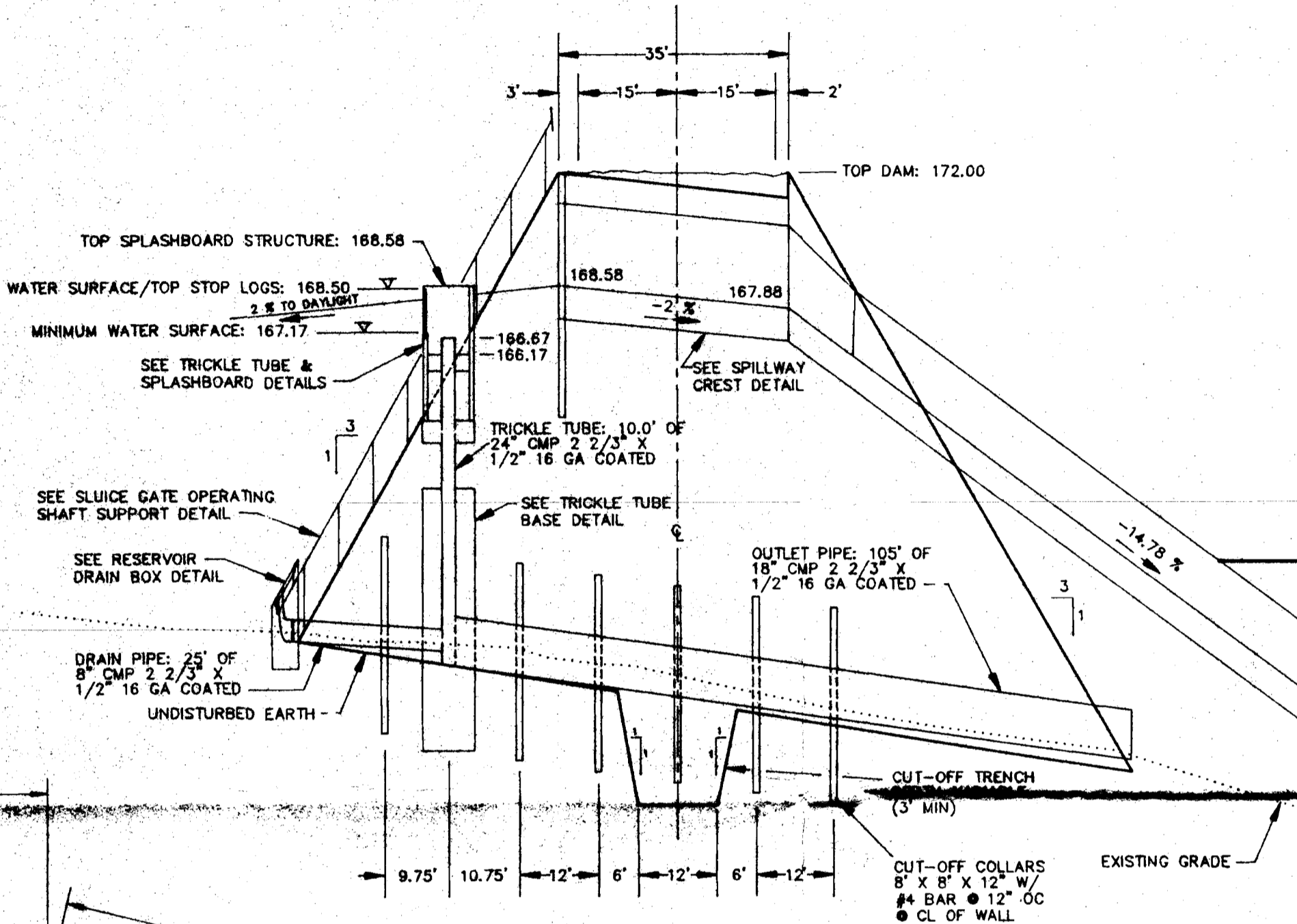
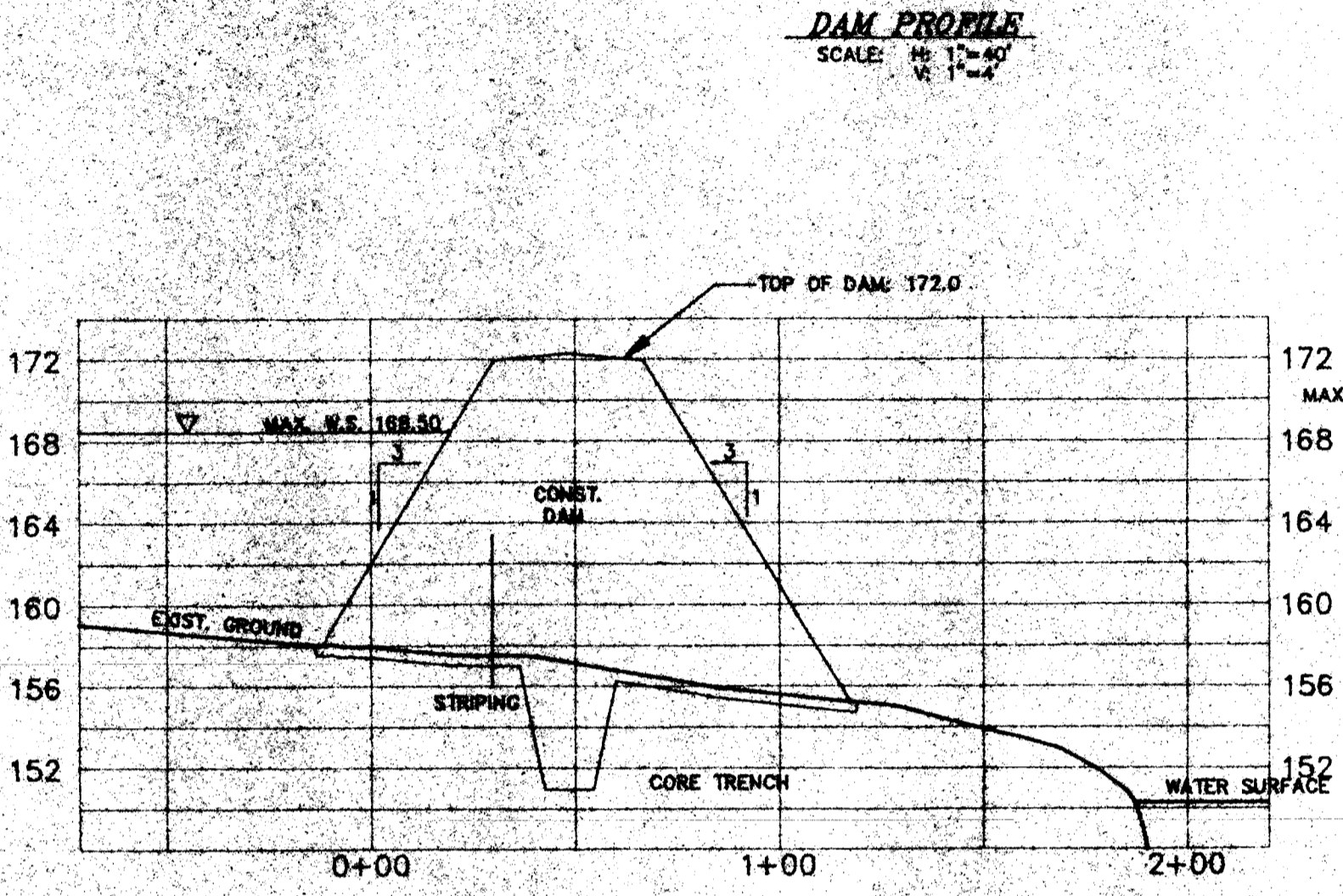
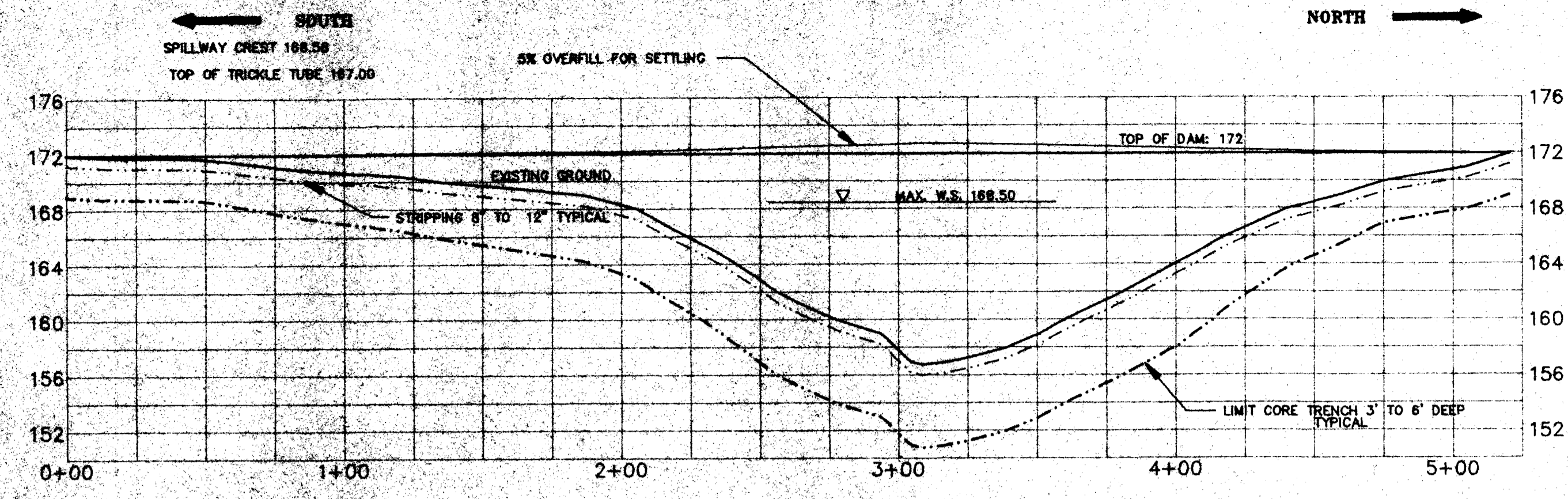
CONTOUR DATA FURNISHED BY SPENCER B. GROSS, INC.

OREGON WATER RESOURCES DEPARTMENT
 DAM SAFETY
 APPROVED [Signature]
 REVIEW [Signature] 10 July 1997



THE BROADMEAD TRUST
 PLOT PLAN, VICINITY AND AREA CAPACITY CURVE
 TEST PIT LOGS
 SW of SW Sec. 11, T.6S., R.5W., W.M. POLK COUNTY, OREGON
 Scale: 1" = 50' Date: July 19, 1996 Revised: Aug 13, 1996
 Date: July 19, 1996 Revised: May 30, 1997





NOTE: BEDDING THICKNESS OF THE CONCRETE CRADLE SHALL BE NOT LESS THAN 4".

OREGON WATER RESOURCES DEPARTMENT
DAM SAFETY
APPROVED: [Signature]
REVIEW: [Signature] 10 July 1997

THE BROADMEAD TRUST
DAM SECTION, ELEVATIONS, TRICKLE TUBE CUT OFF COLLARS, TRASH RACK AND DRAIN OPERATING VALVE STEM DETAILS

Scale: AS SHOWN Date: Feb 26, 1996 Revised: May 28, 1997
Design: MGB Boatwright Engineering, Inc. Job No. [Blank]

REGISTERED PROFESSIONAL ENGINEER 49665
Oregon
Walter S. Boatwright
JULY 9, 1962