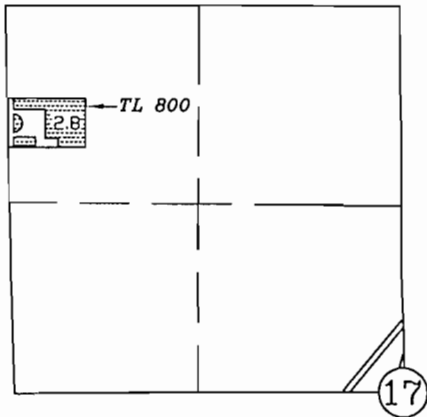


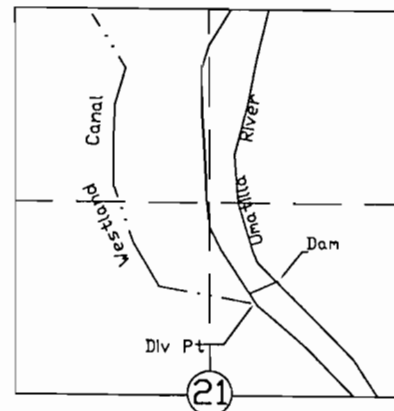
2002 WESTLAND IRRIGATION DISTRICT

TRANSFER #9311 FINAL PROOF MAP – KLUKKERT
March 14, 1903 Cert. 76715 & July 24, 1924 Cert. 79439

T4N., R28E., W.M.



T3N., R 29E., W.M.



DIV PT LCT N. 76°45'56"E. 2913.19' FROM W.1/4 COR.
SEC 21. WESTLAND IRRIGATION DISTRICT

RECEIVED

NOV 04 2005

WATER RESOURCES DEPT
SALEM, OREGON



0 1320 2640

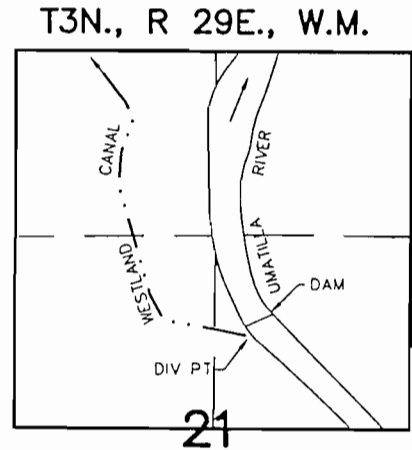
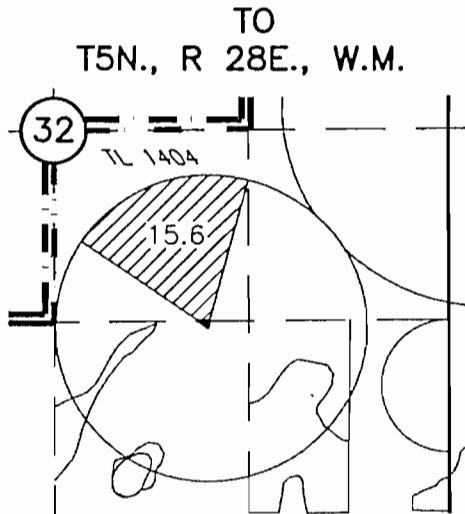
SCALE IN FEET

NOTE: THE PURPOSE OF THIS MAP IS TO IDENTIFY THE APPROXIMATE LOCATION OF THE WATER RIGHT. IT IS NOT INTENDED TO PROVIDE INFORMATION RELATIVE TO THE LOCATION OF PROPERTY OWNERSHIP BOUNDARY LINES.

2002 WESTLAND IRRIGATION DISTRICT

TRANSFER #9311 FINAL PROOF MAP – WADEKAMPER

July 1907 Cert. 76717 & July 24, 1924 Cert. 79439

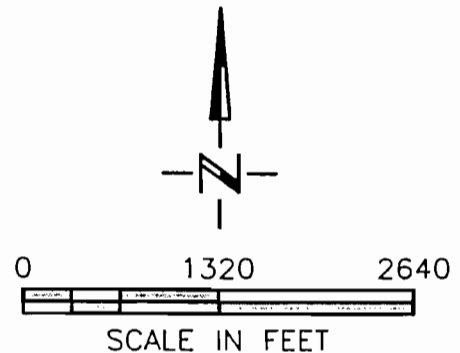


DIV PT LCT N.76°45'56"E. 2913.19' FROM W.1/4 COR. SEC 21
WESTLAND IRRIGATION DISTRICT

RECEIVED

NOV 04 2005

WATER RESOURCES DEPT
SALEM, OREGON

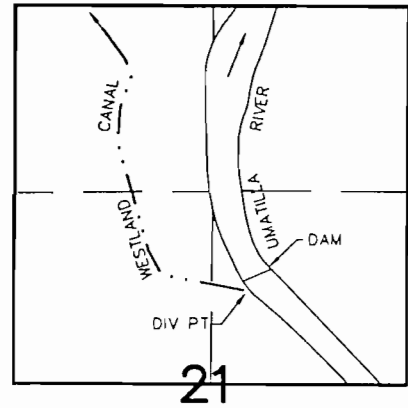


NOTE: THE PURPOSE OF THIS MAP IS TO IDENTIFY THE APPROXIMATE LOCATION OF THE WATER RIGHT. IT IS NOT INTENDED TO PROVIDE INFORMATION RELATIVE TO THE LOCATION OF PROPERTY OWNERSHIP BOUNDARY LINES.

04/20/02
3522.149
3522149LAM.DWG

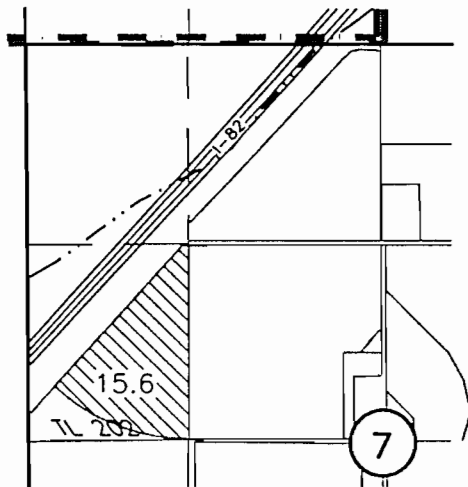
**2002 WESTLAND IRRIGATION DISTRICT
TRANSFER #9311 FINAL PROOF MAP – LAMB WESTON
April 12, 1961 Cert. 76799**

T3N., R 29E., W.M.



DIV PT LCT N.76°45'56"E. 2913.19' FROM W.1/4 COR. SEC 21
WESTLAND IRRIGATION DISTRICT

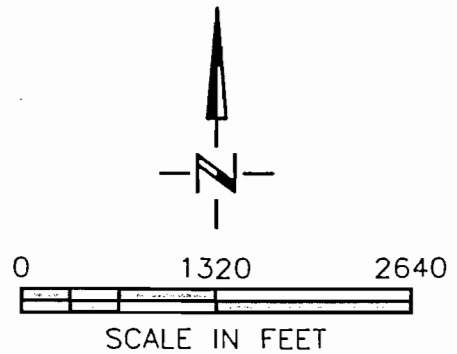
T4N
TO



RECEIVED

NOV 04 2005

WATER RESOURCES DEPT
SALEM, OREGON



NOTE: THE PURPOSE OF THIS MAP IS TO IDENTIFY THE APPROXIMATE LOCATION OF THE WATER RIGHT. IT IS NOT INTENDED TO PROVIDE INFORMATION RELATIVE TO THE LOCATION OF PROPERTY OWNERSHIP BOUNDARY LINES.

04/20/02
3522.149
3522149LAM2.DWG

2002 WESTLAND IRRIGATION DISTRICT

TRANSFER #9311 FINAL PROOF MAP – NEWMAN

March 14, 1903 Cert. 76715; July 1907 Cert. 76717;

& July 24, 1924 Cert. 79439

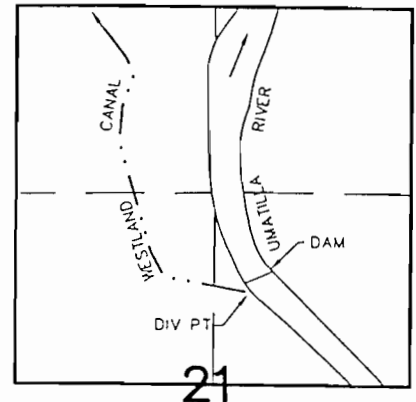


JULY 1907 CERT 76717
AND PERMIT 7400



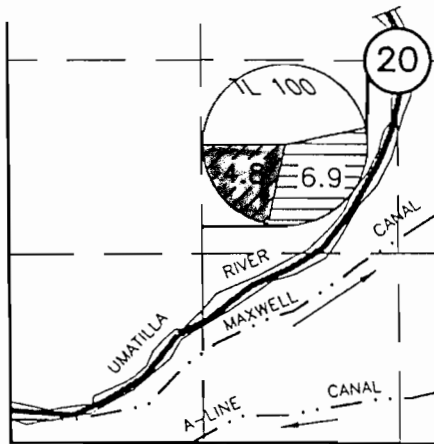
MARCH 14, 1903 CERT 76715
AND PERMIT 7400

T3N., R 29E., W.M.



DIV PT LCT N.76°45'56"E. 2913.19' FROM W.1/4 COR. SEC 21
WESTLAND IRRIGATION DISTRICT

TO
T4N., R 28E., W.M.



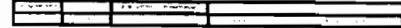
RECEIVED

APR 14 2005

WATER RESOURCES DEPT
SALEM, OREGON



0 1320 2640



SCALE IN FEET

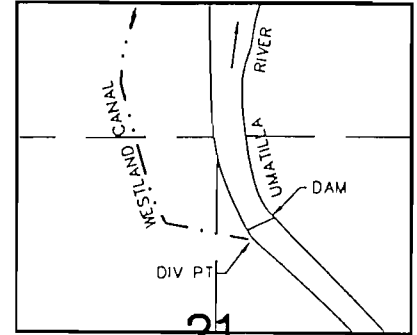
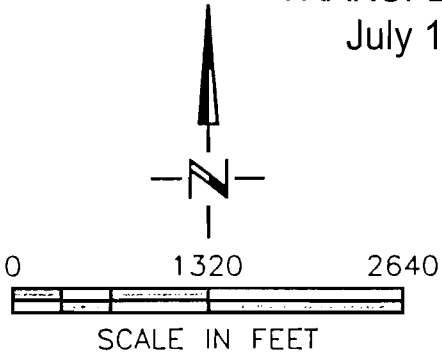
NOTE: THE PURPOSE OF THIS MAP IS TO IDENTIFY THE APPROXIMATE LOCATION OF THE WATER RIGHT. IT IS NOT INTENDED TO PROVIDE INFORMATION RELATIVE TO THE LOCATION OF PROPERTY OWNERSHIP BOUNDARY LINES.

2002 WESTLAND IRRIGATION DISTRICT



TRANSFER #9311 FINAL PROOF MAP – WADEKAMPER

July 1907 Cert. 76717 & July 24, 1924 Cert. 79439

T3N., R 29E., W.M.

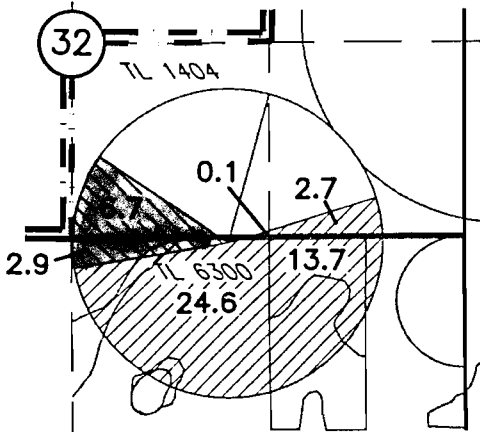


DIV PT LCT N.76°45'56"E. 2913.19' FROM
W.1/4 COR. SEC 21 WESTLAND IRRIGATION
DISTRICT

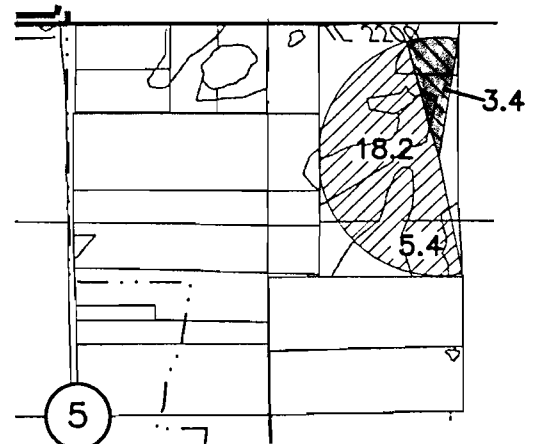
-  JULY 1907 CERT 76717
AND PERMIT 7400
-  APRIL 12, 1961 PERMIT 27583
CERT 76799

TO

T5N., R 28E., W.M.



T4N., R 28E., W.M.



RECEIVED

NOV 04 2005

WATER RESOURCES DEPT
SALEM, OREGON

NOTE: THE PURPOSE OF THIS MAP IS TO IDENTIFY THE APPROXIMATE LOCATION OF THE WATER RIGHT. IT IS NOT INTENDED TO PROVIDE INFORMATION RELATIVE TO THE LOCATION OF PROPERTY OWNERSHIP BOUNDARY LINES.

04/20/02
3522.149

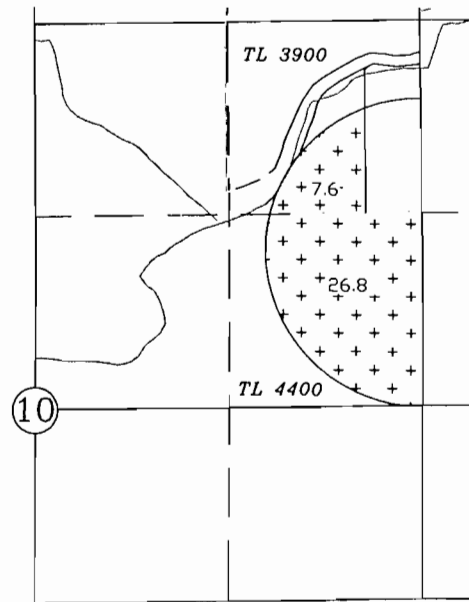
3522149WAD.DWG

2002 WESTLAND IRRIGATION DISTRICT TRANSFER #93 I I FINAL PROOF MAP - PARKS

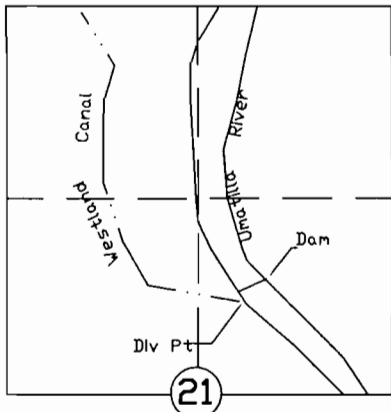
July 1907, Cert. 76717 Primary; &
Cert. 79439 Supplemental.

T3N., R27E., W.M.

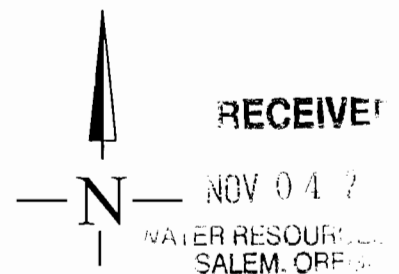
 TO 1907



T3N., R 29E., W.M.



DIV PT LCT N. 76°45'56"E. 2913.19' FROM W. 1/4 COR. SEC 21
WESTLAND IRRIGATION DISTRICT



SCALE IN FEET

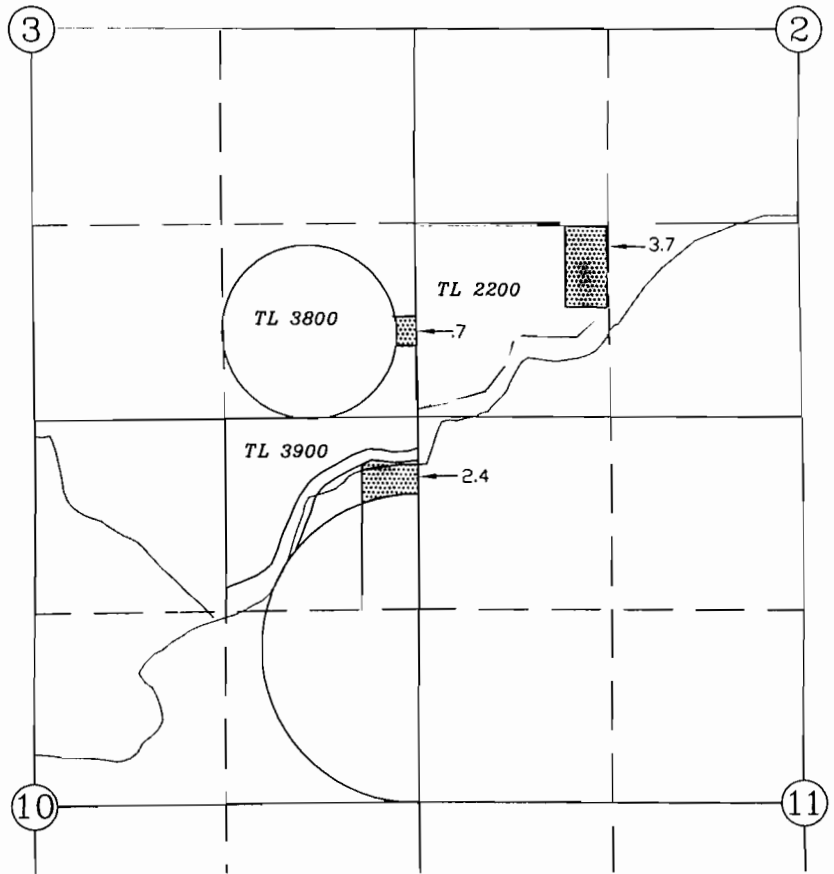
NOTE: THE PURPOSE OF THIS MAP IS TO IDENTIFY THE APPROXIMATE LOCATION OF THE WATER RIGHT. IT IS NOT INTENDED TO PROVIDE INFORMATION RELATIVE TO THE LOCATION OF PROPERTY OWNERSHIP BOUNDARY LINES.

2002 WESTLAND IRRIGATION DISTRICT TRANSFER #9311 FINAL PROOF MAP - PARKS

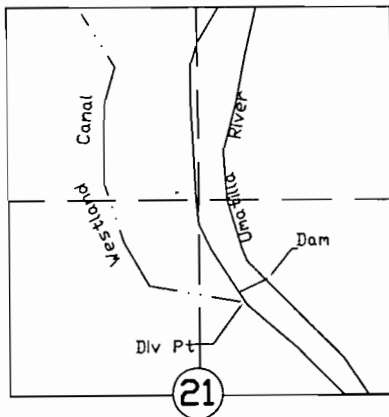
April 12, 1961, Certificate 76799

T3N., R27E., W.M.

 TO 1961

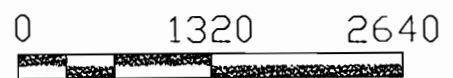


T3N., R 29E., W.M.



DIV PT LCT N. $76^{\circ}45'56''$ E. 2913.19' FROM W.1/4 COR. SEC 21
WESTLAND IRRIGATION DISTRICT

NOTE: THE PURPOSE OF THIS MAP IS TO IDENTIFY THE APPROXIMATE LOCATION OF THE WATER RIGHT. IT IS NOT INTENDED TO PROVIDE INFORMATION RELATIVE TO THE LOCATION OF PROPERTY OWNERSHIP BOUNDARY LINES.



SCALE IN FEET