

Amendment to the Oregon Department of Water Resources, water use maps, depicting the current limits of water use on the Tule Lake National Wildlife Refuge.

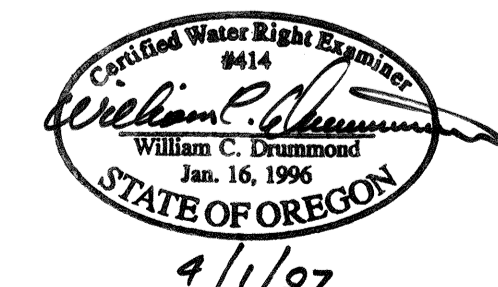
Acreages shown are only for those quarter/quarter subdivisions or lots where a change in place of use has been made. Public Land Survey System shown is from the official records of the Bureau of Land Management.

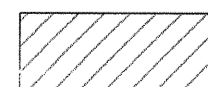


This map has been prepared at the direction of the Regional Director, Region 1, Portland, Oregon. Areas of claimed water use are as designated by various divisions of the U.S. Fish and Wildlife Service.



SUPPLEMENTAL MAP FOR FEDERAL RESERVED CLAIMS
 IN THE NAME OF: U.S. FISH AND WILDLIFE SERVICE
 TULE LAKE NATIONAL WILDLIFE REFUGE
 TOWNSHIP 47 NORTH, RANGE 4 EAST
 MOUNT DIABLO MERIDIAN

1 INCH = 1,320 FEET
 MARCH 1997



-  E.O. 4975
-  E.O. 5945
-  E.O. 7341

The purpose of this map is to identify the location of the Water Right. It is not intended to provide information relative to the location of Property Ownership Boundary Lines.