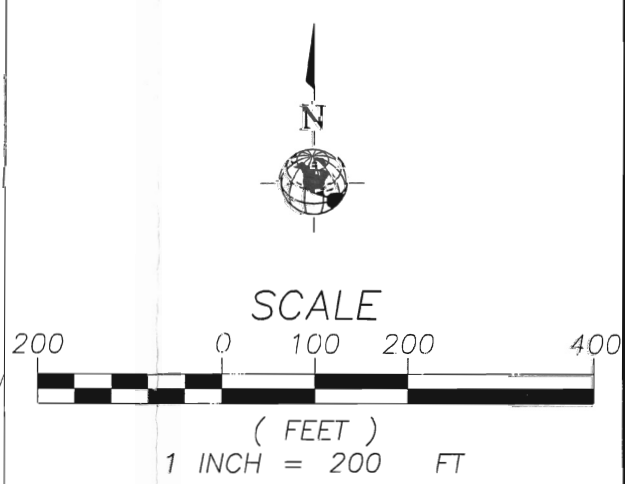
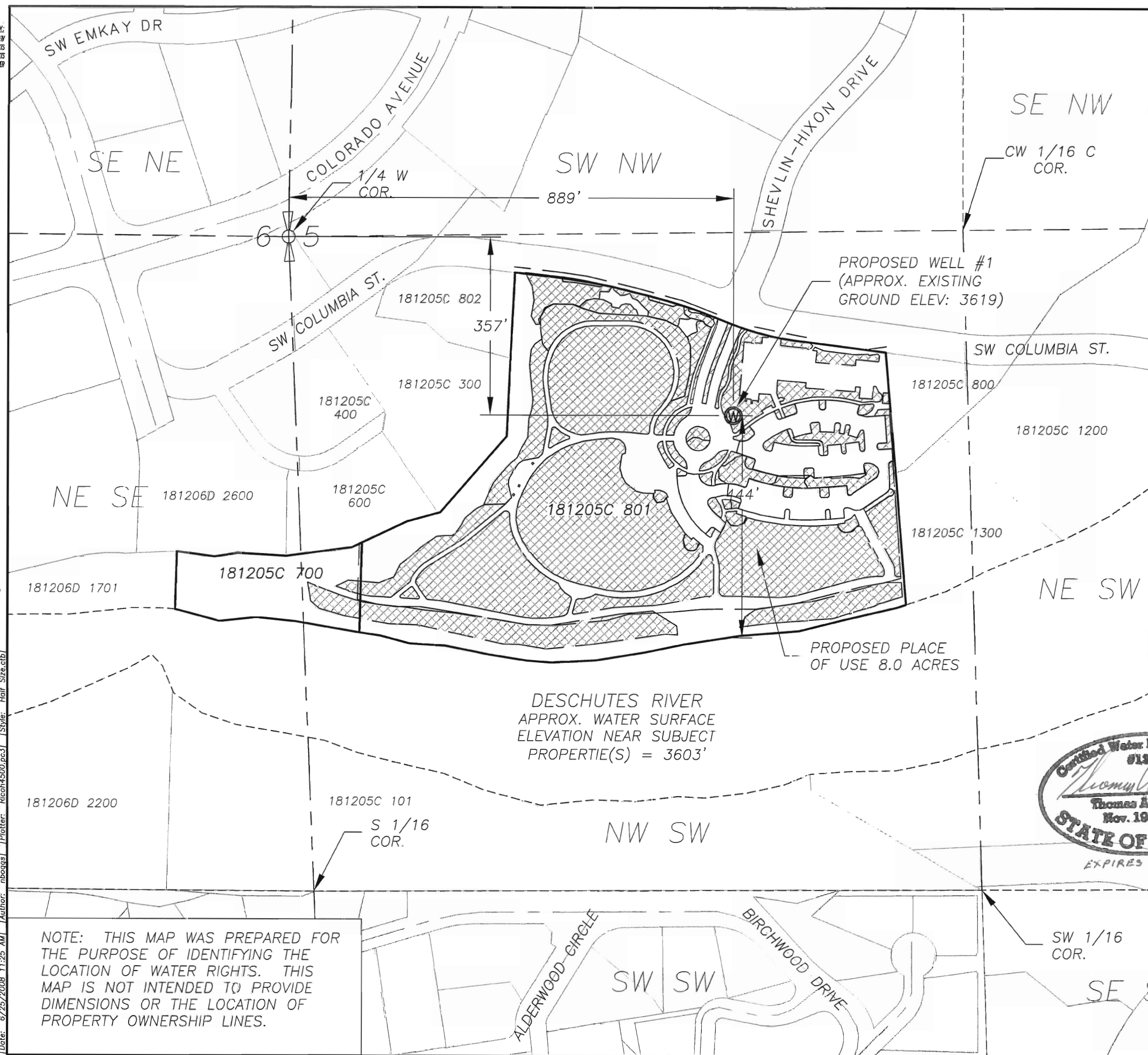


PWC: ADEK:  
 JF: 06/25/08  
 172233 - 18669



**PROPERTY OWNER/APPLICANT:**  
 BEND METRO PARK AND RECREATION DISTRICT  
 200 PACIFIC PARK LANE  
 BEND, OR 97701

**REQUEST:**  
 OBTAIN A PERMIT TO USE GROUNDWATER FOR IRRIGATION.

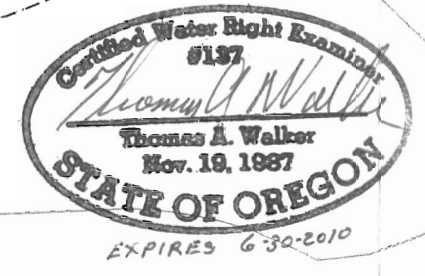
**SUBJECT PROPERTIES:**  
 TL 181205C 801  
 TL 181205C 700

**LEGEND**

- PROPOSED WELL LOCATION
- PROPOSED PLACE OF USE

NOTE: THIS MAP WAS PREPARED FOR THE PURPOSE OF IDENTIFYING THE LOCATION OF WATER RIGHTS. THIS MAP IS NOT INTENDED TO PROVIDE DIMENSIONS OR THE LOCATION OF PROPERTY OWNERSHIP LINES.

Print: P:\Bend\_Metro\_Park\_and\_Recreation\Drawings\Chen\35626-land-RiverBend.dwg [RiverBend.dwg] [RiverBend.dwg]  
 Date: 6/25/2008 11:25 AM Author: aboback Plotter: Ricoh-5000ps1 Scale: 1"=200'



**RECEIVED**  
 JUL 09 2008  
 WATER RESOURCES DEPT  
 SALEM, OREGON

DESIGNED BY: TAW/WMB	CHECKED BY: TAW
DRAWN BY: NMB/CLB	APPROVED BY: TAW
DATE: 6/25/2008	PLT DATE: 6/25/2008
DATE: 6/25/2008	REVISION: 1

SH-EET 1/1  
**WR GW**

**WHPacific**  
 600 SW Emkay Dr  
 Bend, OR 97701  
 www.whpacific.com

BEND METRO PARK AND RECREATION DISTRICT  
 RIVER BEND PARK  
**GROUNDWATER PERMIT APPLICATION EXHIBIT**  
 PROJECT NO. 35626.1200  
 DRAWING FILE NAME: 35626-land-RiverBend