

Diversion point is a sump in the SW corner of the Fish Hatchery Building. This diversion is 700 feet South, and 2475 feet East of the NW corner of Section 22.

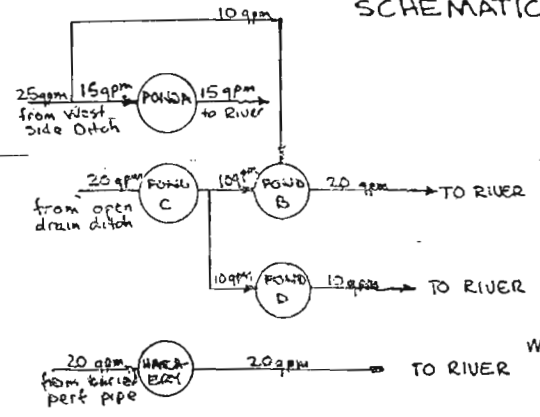
TRANSFER 6 ACRES OF IRRIGATION WATER RIGHT IN SE CORNER OF TL 6700 (SHOWN SHADED) TO FISH HATCHERY USE

- POND A 3/4 ACRE x 8 FT DEEP = 6 AC-FT
- POND B 2 ACRES x 6 FT DEEP = 12 AC-FT
- POND C 7/10 ACRES x 5 FT DEEP = 12 AC-FT
- POND D 1/10 ACRE x 5 FT DEEP = 1/2 AC-FT

DIVERSION POINT FOR THE WEST SIDE DITCH FROM THE LOSTINE RIVER IS 2870'S 220' E OF THE N 1/4 COR SECTION 27, BEING IN THE NW 1/4 SE 1/4 SEC 27, T15, R43E

RECEIVED
OCT 10 2008
WATER RESOURCES DEPT.
SALEM, OREGON

HATCHERY WATER USE SCHEMATIC



RECEIVED

JAN 04 1993
WATER RESOURCES DEPT.
SALEM, OREGON

RECEIVED

FEB - 4 1993
WATER RESOURCES DEPT.
SALEM, OREGON

THE HATCHERY OPERATION NEEDS A TOTAL OF 65 GPM FOR OPERATION AS A NON-CONSUMPTIVE USE. IT IS PROPOSED TO ATTAIN THIS DURING THE IRRIGATION SEASON BY CANCELING AND TRANSFERRING 6 ACRES OF WATER RIGHT IN THE SE CORNER OF THE PROPERTY FROM IRRIGATION TO HATCHERY USE. THE PROPERTY IS CURRENTLY COVERED WITH WATER RIGHTS FOR IRRIGATION BY CERT # 3180 DATED 1901, FROM THE LOSTINE RIVER, AND CERT # 4930 DATED 1935 SUPPLEMENTAL FROM MIWAM LAKE, BOTH DELIVERED BY THE WEST SIDE DITCH. UNDER THIS PROPOSAL 25 GPM WILL BE TAKEN FROM THE LOSTINE RIVER VIA THE WEST SIDE DITCH AND 40 GPM WILL BE TAKEN FROM DITCHES AND PERFORATED PIPES IN THE ALLUVIAL GRAVELS BESIDE THE LOSTINE RIVER. ALL DIVERTED FLOWS, LESS MINOR EVAPORATION LOSSES WILL BE RETURNED TO THE RIVER.

DURING THE NON IRRIGATION SEASON, NEW WATER RIGHTS FROM THE ABOVE SOURCES ARE APPLIED FOR.



IN SECTION 22
T15 R43E WM
WALLOWA COUNTY
HATCHERY WATER RIGHT
APPLICATION MAP
FOR JOYCE WYNAN
LOSTINE OREGON
DEC. 1992

RECEIVED

JUN 23 2006

WATER RESOURCES DEPT
SALEM, OREGON

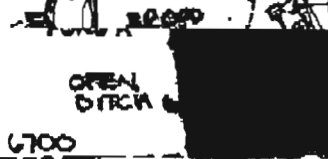
16 15
21 22

Fish Hatchery Bldg
Located from NW Corner
Section 22
335 Ft. South
1210 Ft. East

TL 6702 DITCH

TL 6700

8" IRRIG. MAIN
4" WATER USE POND



FISH HATCHERY
POND "D"

TRANSFER 6 ACRES OF
IRRIGATION WATER RIGHT
IN SE CORNER OF TL 6700
(SHOWN SHADED) TO FISH
HATCHERY USE

- POND A 7/4 ACRE+
- POND B 2 ACRES
- POND C 7/10 ACRES
- POND D 7/10 ACRE+



1" = 660'
SEC 22
T1S, R43E

WESTSIDE DITCH

DIVERSION POINT FOR THE
WESTSIDE DITCH FROM THE
LOSTINE RIVER IS 2070'S
220' E OF THE N 1/4 COR
SECTION 27, BEING IN
THE NW 1/4, SE 1/4 SEC 27,
T1S, R43E

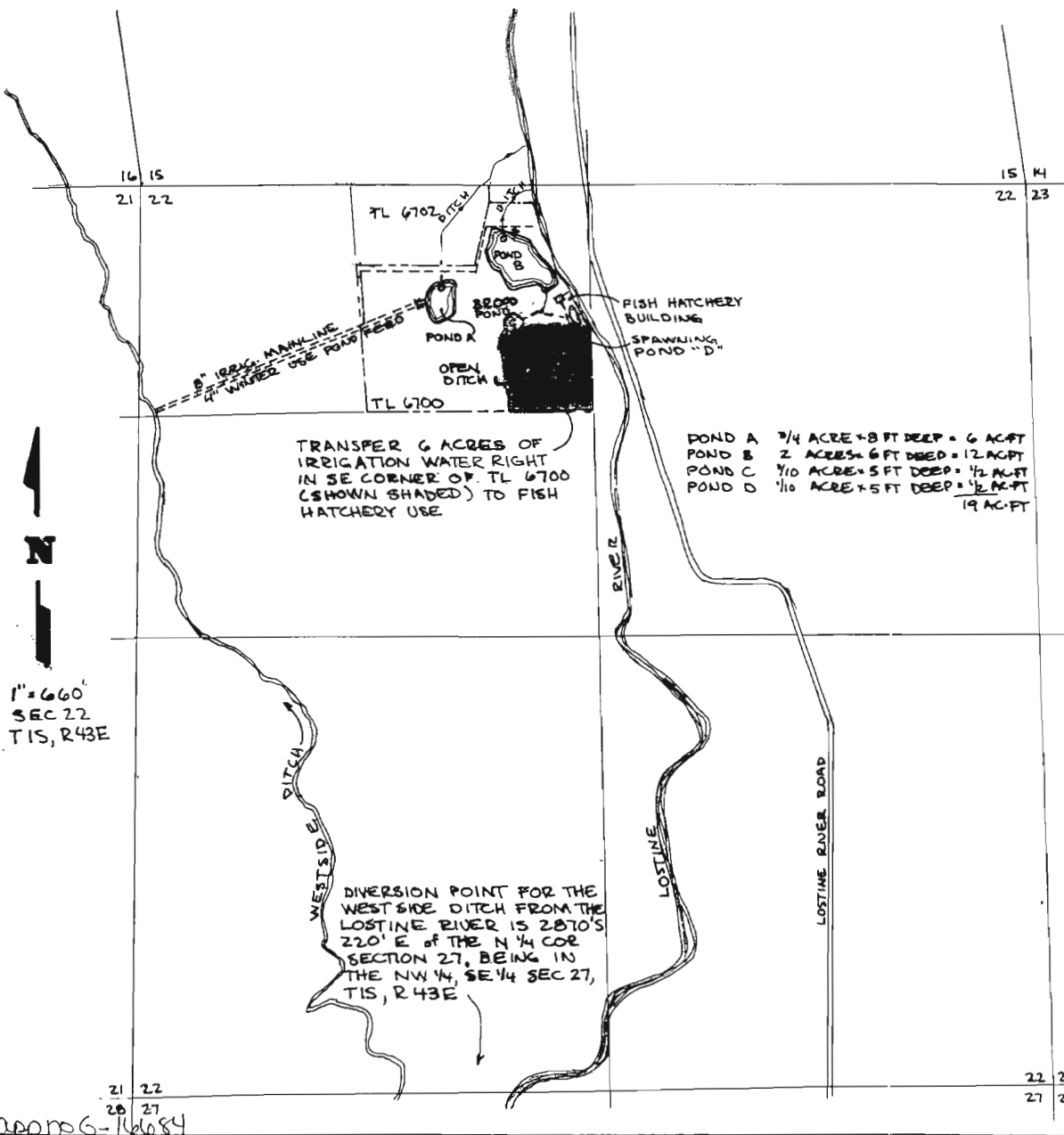
RIVER R

LOSTINE

LOSTINE AVENUE

21 22
20 27

app no 6-16-1084

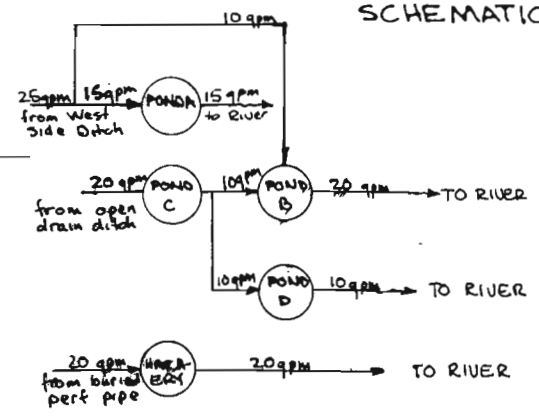


TRANSFER 6 ACRES OF IRRIGATION WATER RIGHT IN SE CORNER OF TL 6700 (SHOWN SHADED) TO FISH HATCHERY USE

- POND A 3/4 ACRE + 8 FT DEEP = 6 AC-FT
 - POND B 2 ACRES + 6 FT DEEP = 12 AC-FT
 - POND C 7/10 ACRE + 5 FT DEEP = 1/2 AC-FT
 - POND D 1/10 ACRE + 5 FT DEEP = 1/2 AC-FT
- 19 AC-FT

DIVERSION POINT FOR THE WESTSIDE DITCH FROM THE LOSTINE RIVER IS 2870'S 220' E OF THE N 1/4 COR SECTION 27, BEING IN THE NW 1/4, SE 1/4 SEC 27, T1S, R43E

HATCHERY WATER USE SCHEMATIC



THE HATCHERY OPERATION NEEDS A TOTAL OF 65 GPM FOR OPERATION AS A NON-CONSUMPTIVE USE. IT IS PROPOSED TO ATTAIN THIS DURING THE IRRIGATION SEASON BY CANCELLING AND TRANSFERRING 6 ACRES OF WATER RIGHT IN THE SE CORNER OF THE PROPERTY FROM IRRIGATION TO HATCHERY USE. THE PROPERTY IS CURRENTLY COVERED WITH WATER RIGHTS FOR IRRIGATION BY CERT # 3180 DATED 1901, FROM THE LOSTINE RIVER, AND CERT # 4930 DATED 1935 SUPPLEMENTAL FROM MIWAM LAKE, BOTH DELIVERED BY THE WESTSIDE DITCH. UNDER THIS PROPOSAL 25 GPM WILL BE TAKEN FROM THE LOSTINE RIVER VIA THE WESTSIDE DITCH AND 40 GPM WILL BE TAKEN FROM DITCHES AND PERFORATED PIPES IN THE ALLUVIAL GRAVELS BESIDE THE LOSTINE RIVER. ALL DIVERTED FLOWS, LESS MINOR EVAPORATION LOSSES WILL BE RETURNED TO THE RIVER.

DURING THE NON IRRIGATION SEASON, NEW WATER RIGHTS FROM THE ABOVE SOURCES ARE APPLIED FOR.

RECEIVED
JUN 13 2006
WATER RESOURCES DEPT
SALEM, OREGON



IN SECTION 22 T1S R43E WM WALLOWA COUNTY
HATCHERY WATER RIGHT APPLICATION MAP FOR: JOYCE WYNAN LOSTINE, OREGON
DEC. 1992