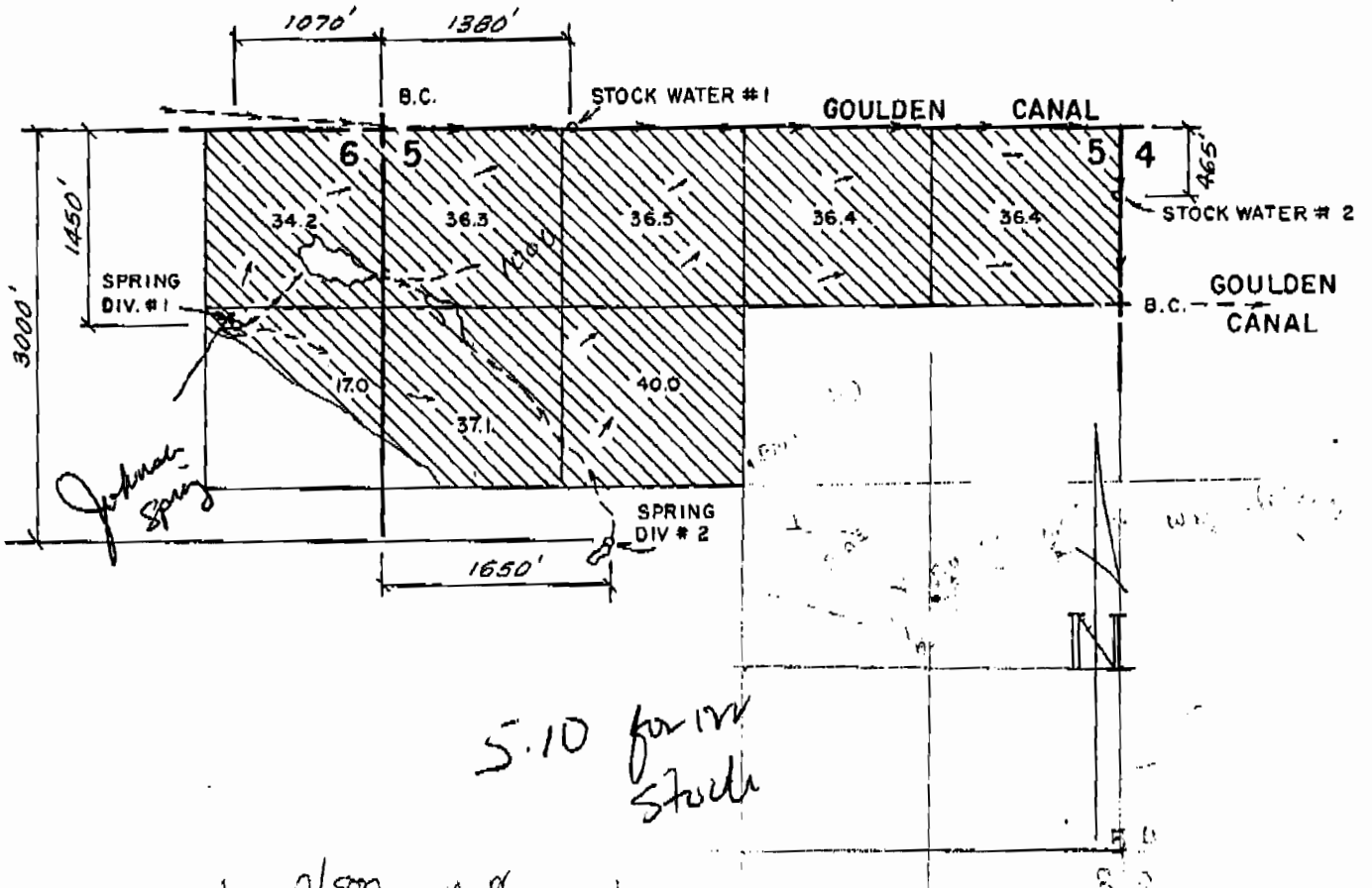


Aug. 14, 2009  
Appl. # 87508

# T27S, R29E WM



5.10 for m  
Stock

Steve Olson  
c/o Jones & Roth PC  
300 SW Columbia St  
Suite 203  
Bend 97702

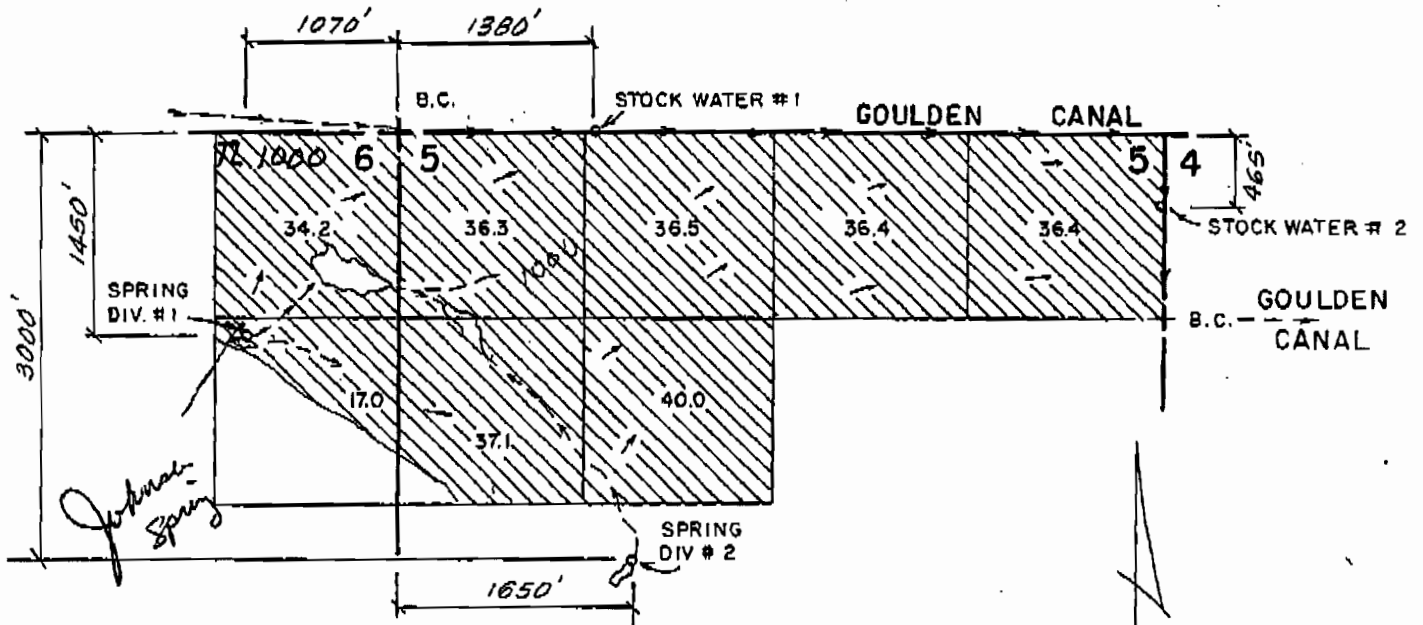
	LYNN DEGUIRE		BURNS, OR
	<h2>WATER RIGHT APPLICATION MAP</h2>		
	Scale: 4" = 1 mile	Date: Sept 1990	Job: 1252
	Dsn:		Sht. No. 1
Drn: CTP	of 1		
Ckd:	254 N. Alder - Box 61 Burns, Oregon 97720		

RECEIVED

AUG 06 2009

WATER RESOURCES DEPT  
SALEM, OREGON

# T 27 S, R 29 E WM



*5.10 for 1M  
Stock*

*Steve Olson  
o/o Jones & Roth PC  
300 SW Columbia St  
Suite 203  
Bend 97702*



LYNN DEGUIRE BURNS, OR

## WATER RIGHT APPLICATION MAP

Scale: 4"=1 mile	Date: <i>Sept. 1990</i>	Job: 1252
Dsn:	 M. A. PALMER & SONS, INC. ENGINEERING & SURVEYING 254 N. Alder - Box 61 Burns, Oregon 97720	Sht. No. /
Drn: CTP		of /
Ckd:		

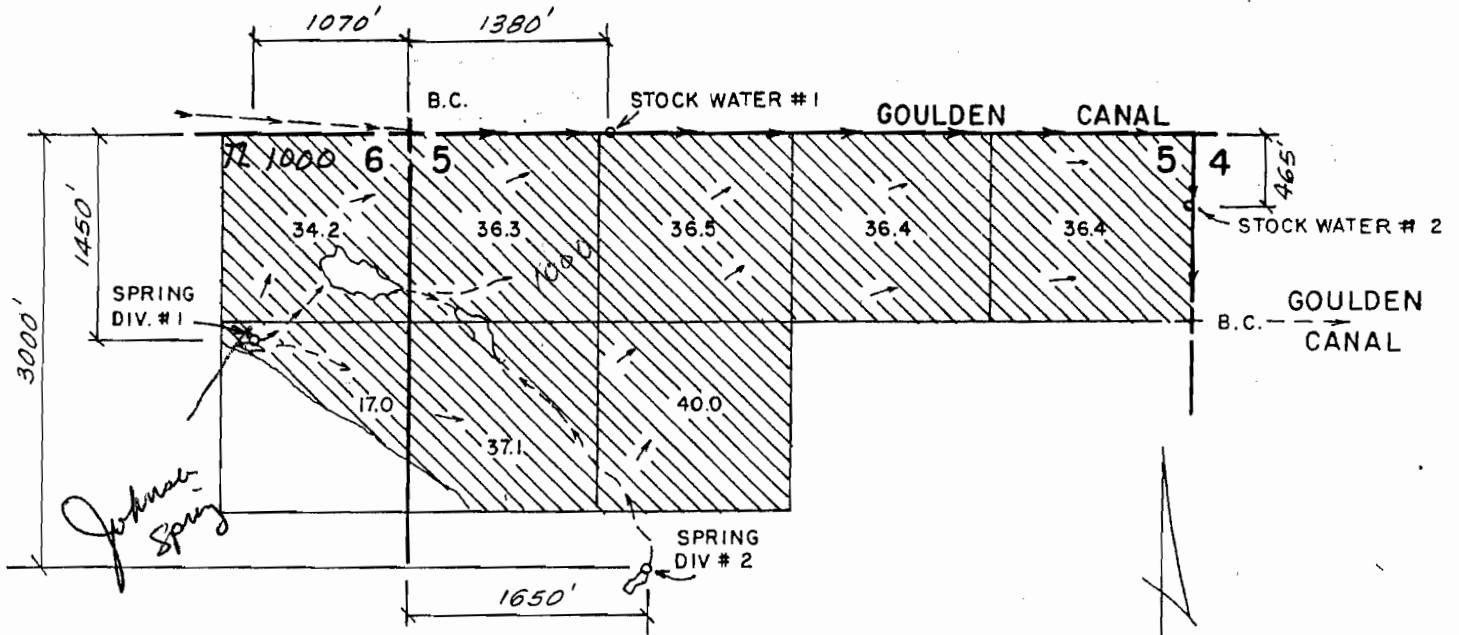
S-87508

RECEIVED

AUG 07 2009

WATER RESOURCES DEPT  
SALEM, OREGON

# T27S, R29E WM



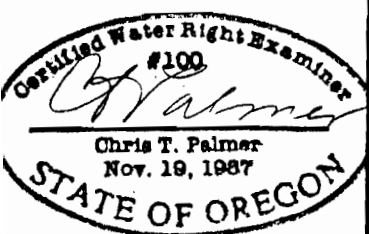
*S.10 for 100  
Stock*


*Steve Olson  
o/o Jones & Roth PC  
300 SW Columbia St.  
Bend 97702  
Suite 203*

LYNN DEGUIRE

BURNS, OR

## WATER RIGHT APPLICATION MAP



Scale: 4" = 1 mile	Date: Sept 1990	Job: 1252
Dsn:	 M.A. PALMER & SONS, INC. ENGINEERING & SURVEYING 254 N. Alder - Box 61 Burns, Oregon 97720	Sht. No. 1
Drn: CTP		of 1
Ckd:		