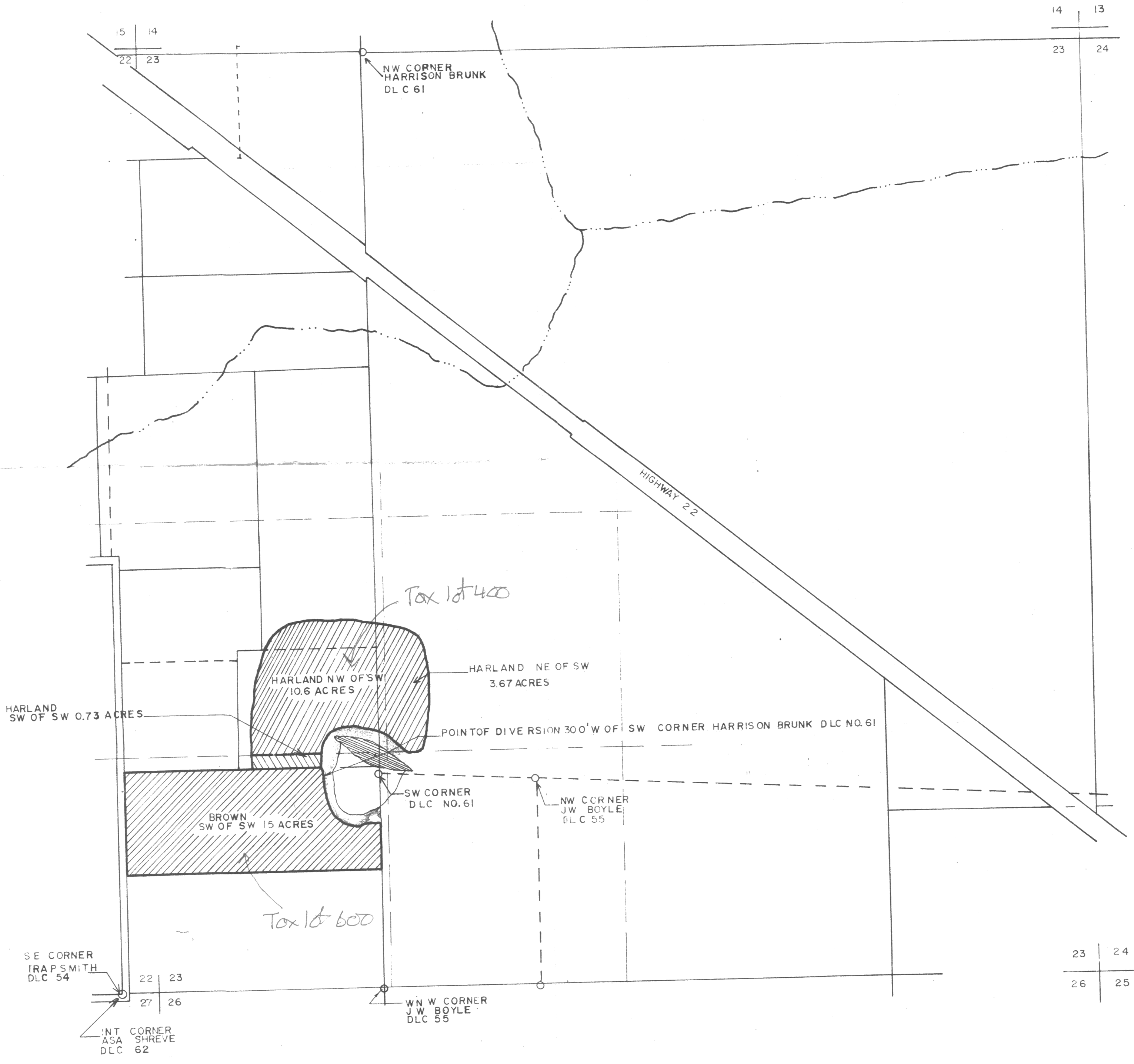


Dan Daw Tax Lot 400  
 Ken Brown " " 600  
 1/2 of the SW of Sec 23  
 Township 7S  
 Range 5W

RECEIVED

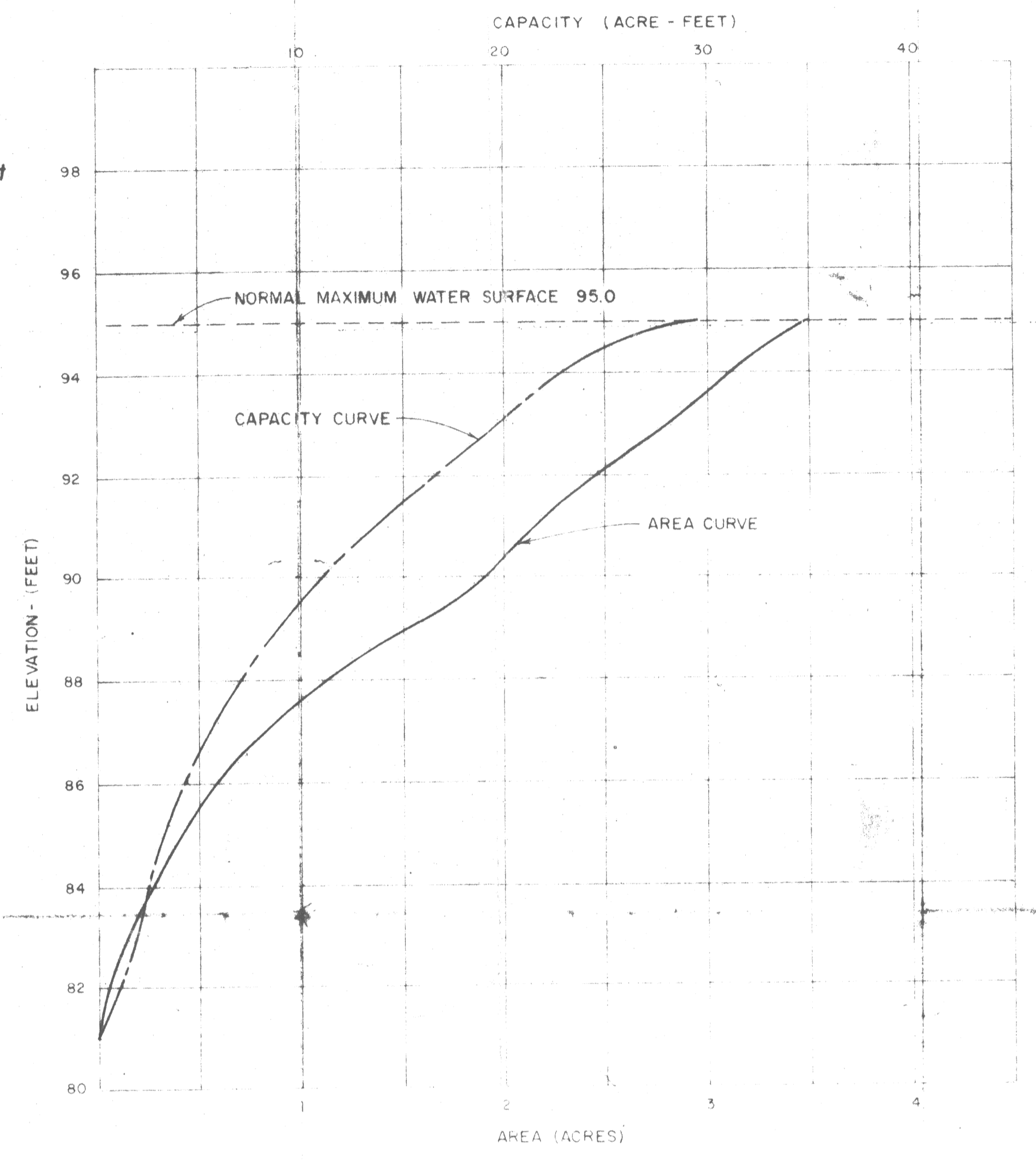
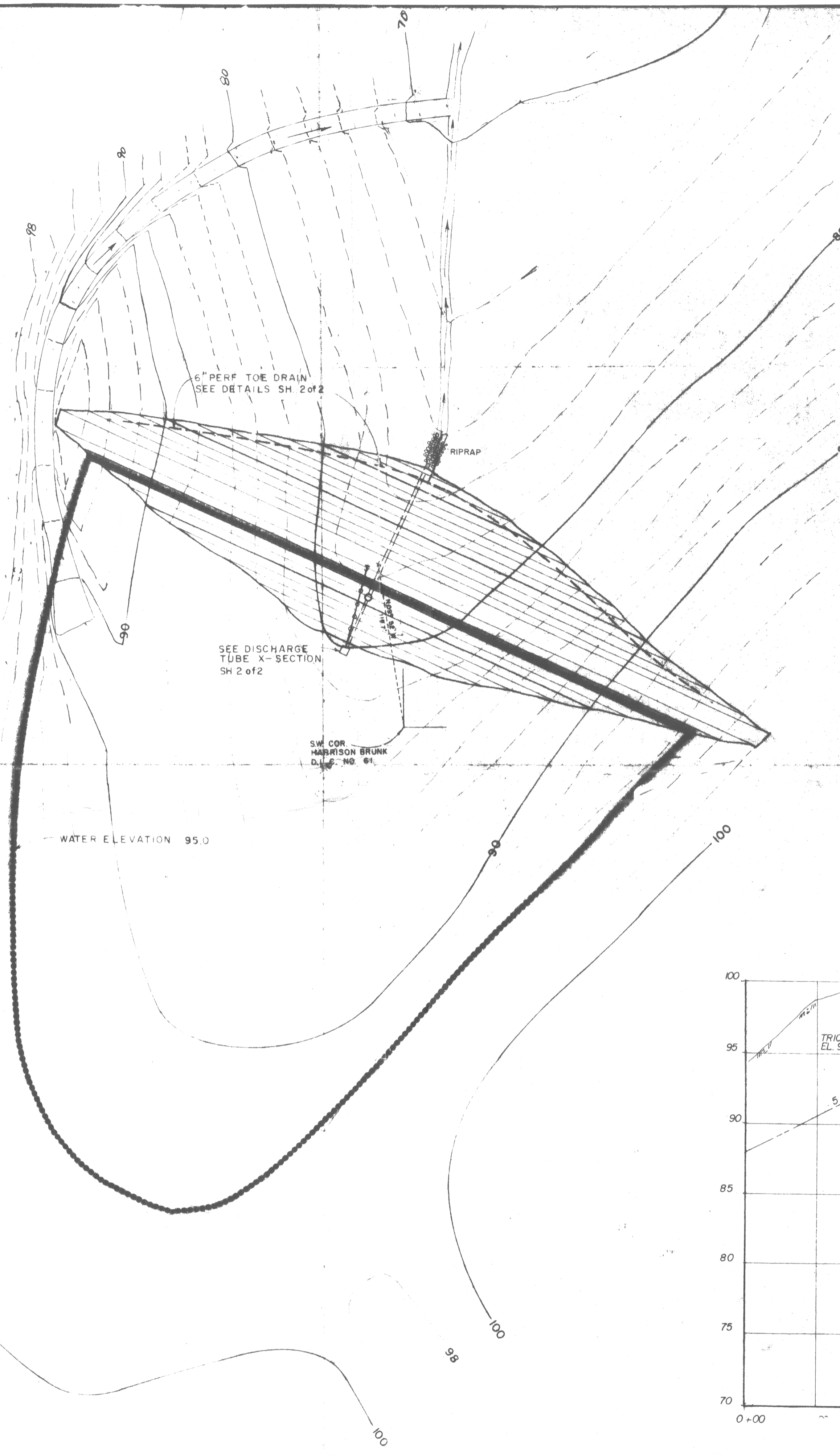
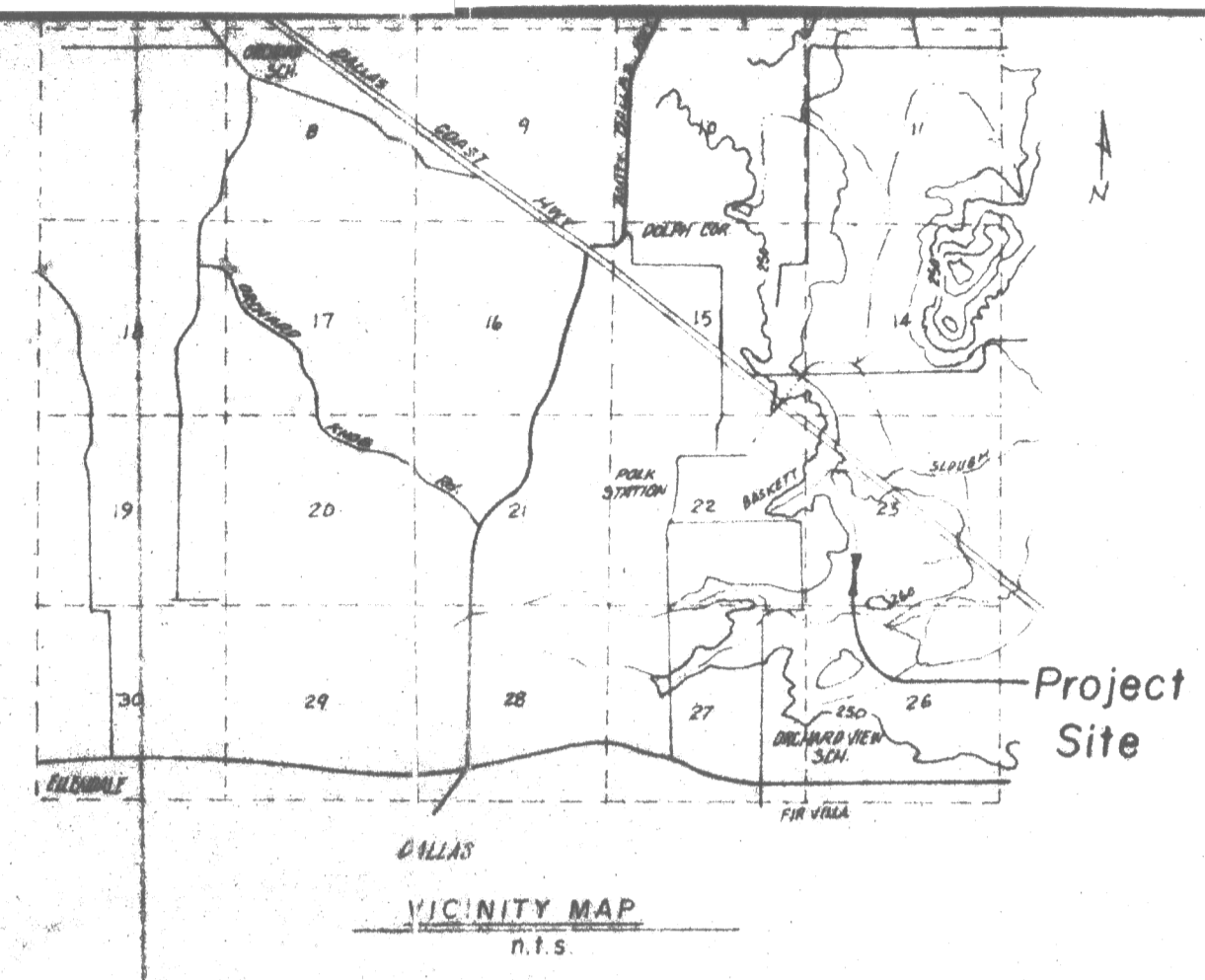
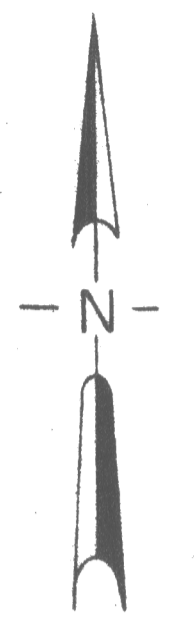
MAR 12 2010

WATER RIGHTS DEPT.  
 POLK COUNTY, OREGON

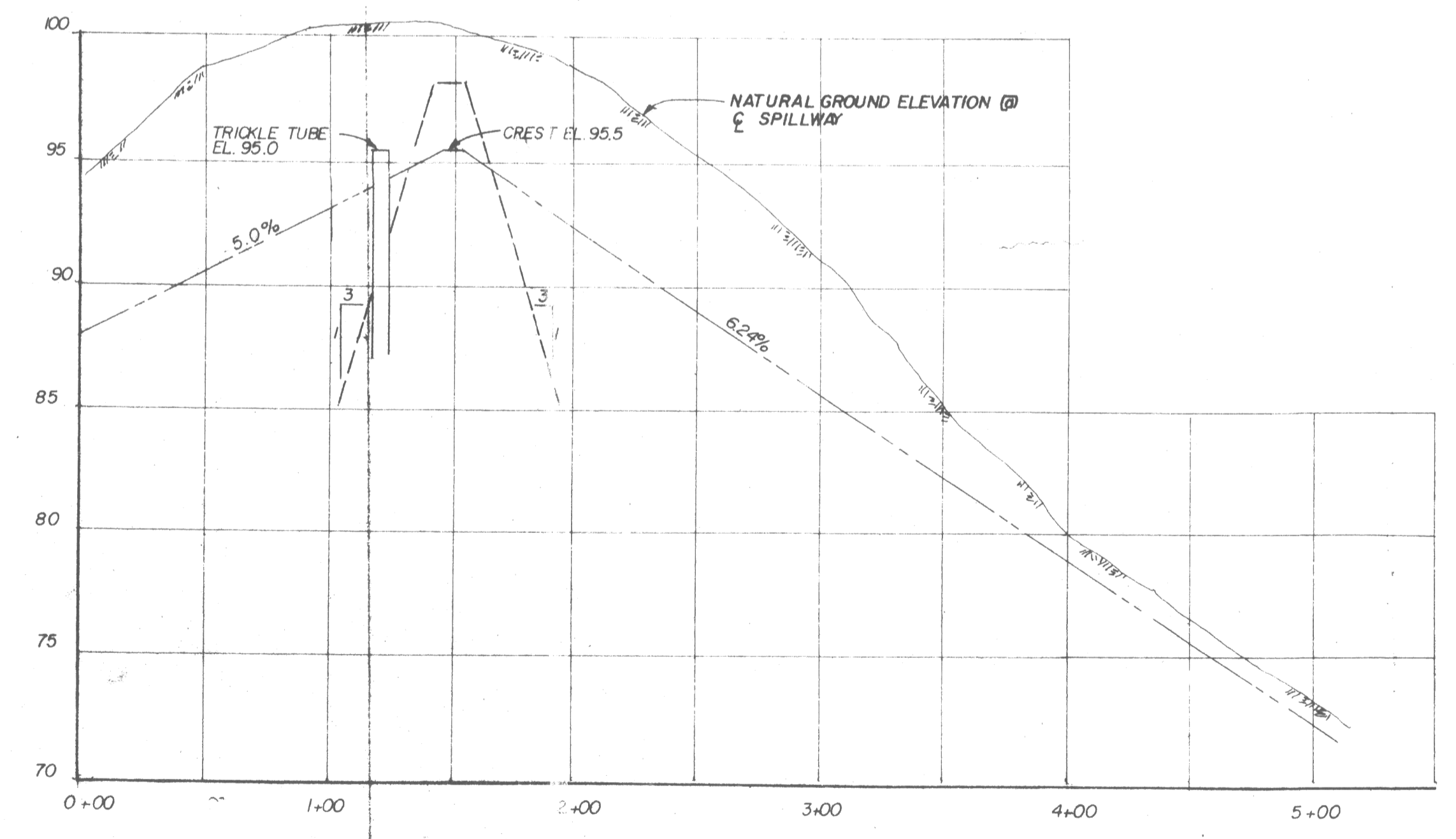


<b>WATER RIGHTS MAP</b>		
KEN BROWN & BILL HARLAND		
SECTION 23 T 7S R 5W POLK COUNTY		
Scale: 1" = 400'	Date: 8-25-80	Revised
Design MGB	M. G. BOATWRIGHT & ASSOCIATES	
Drawn JDZ	2613 Twelfth Street S. E.	
Checked MGB	SALEM, OREGON 97302	
		SHEET 1

RECEIVED  
 JUL 22 1980  
 WATER RESOURCES DEPT.  
 SALEM, OREGON



CAPACITY-AREA CURVE  
 H = 0.35 ACRES PER 1.5 ACHE FEET



SPILLWAY PROFILE  
 H: 1" = 50'  
 V: 1" = 5'

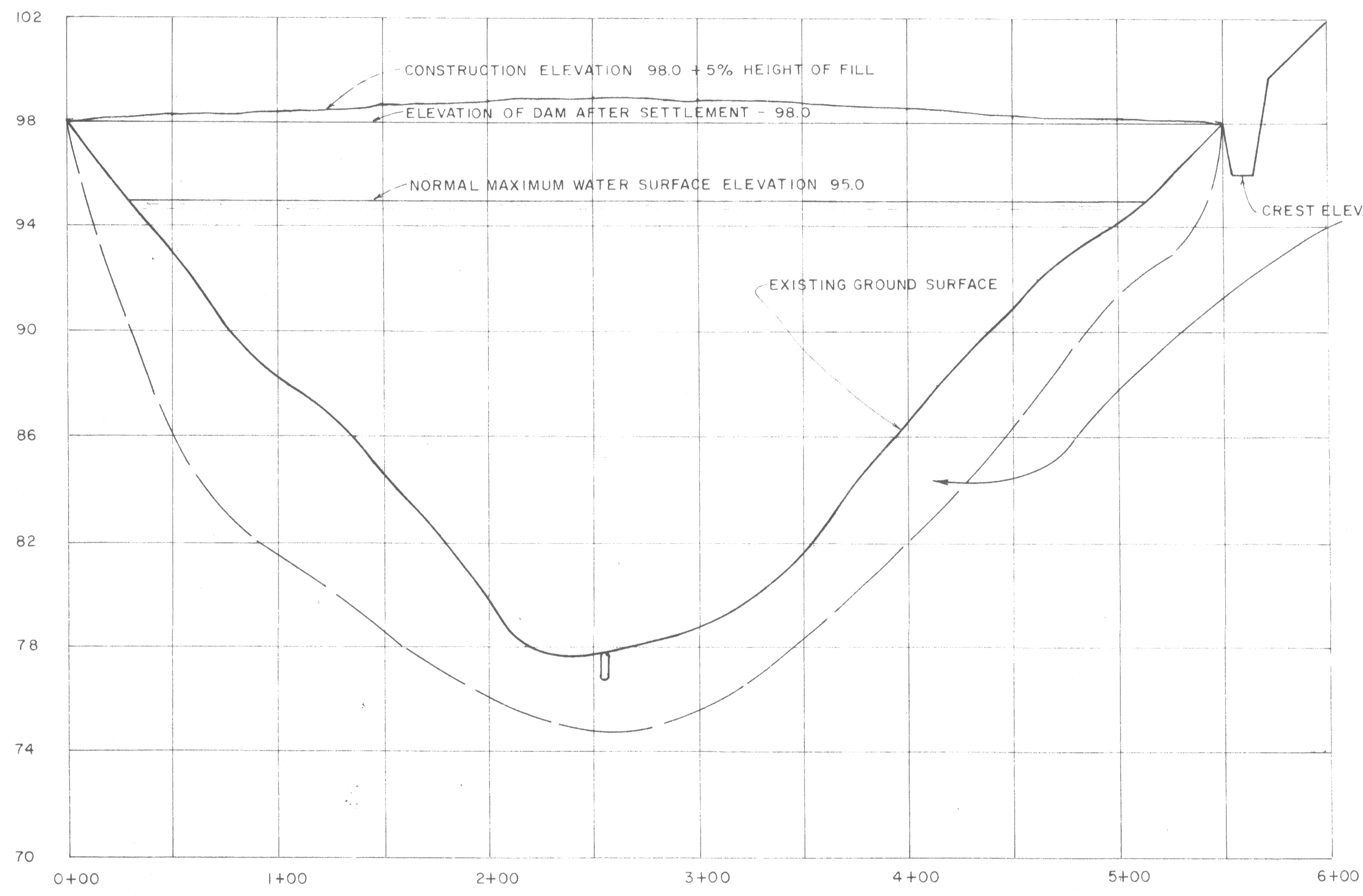
RESERVOIR PLAN VIEW  
 SCALE: 1" = 50'  
 ELEVATIONS SHOWN - ASSUMED DATUM

RECEIVED  
 MAR 31 2010  
 WATER RESOURCES DEPT.  
 SALEM, OREGON

AS - CONSTRUCTED 4-2-81  
 SPILLWAY REVISED 12-9-80 MGM  
 DATUM: ASSUMED

<b>BROWN-HARLAND DAM</b>		
IN SW 1/4 SECTION 23, T7S, R5W,		
Scale: AS SHOWN	Date: 6-4-80	Revised: JULY 21, 1980
Design: MGB	M. G. BOATWRIGHT & ASSOCIATES	
Drawn: G.T.D.	2613 Twelfth Street S.E.	
Checked: MGB	SALEM, OREGON 97302	
		SHEET 1 / 2

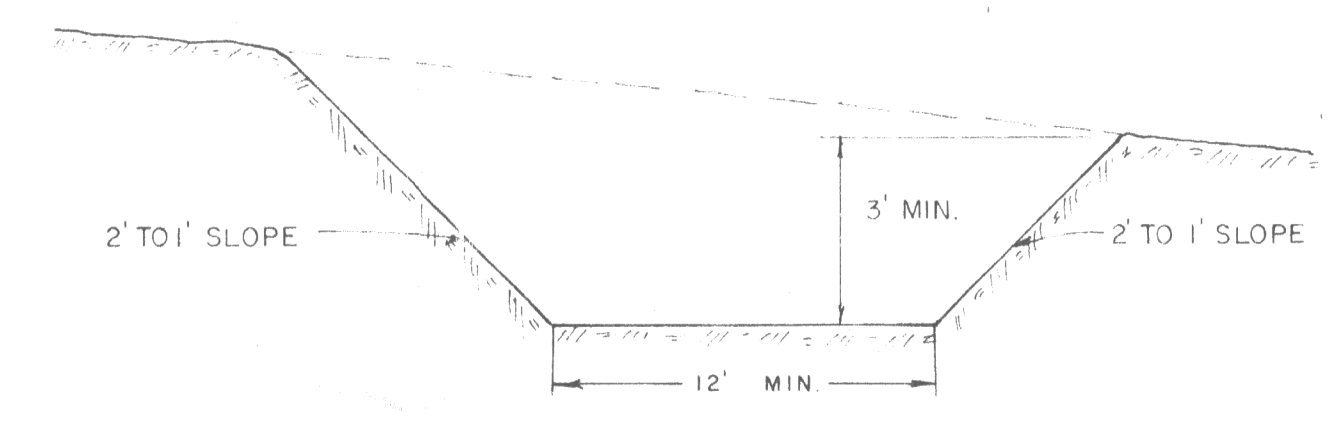




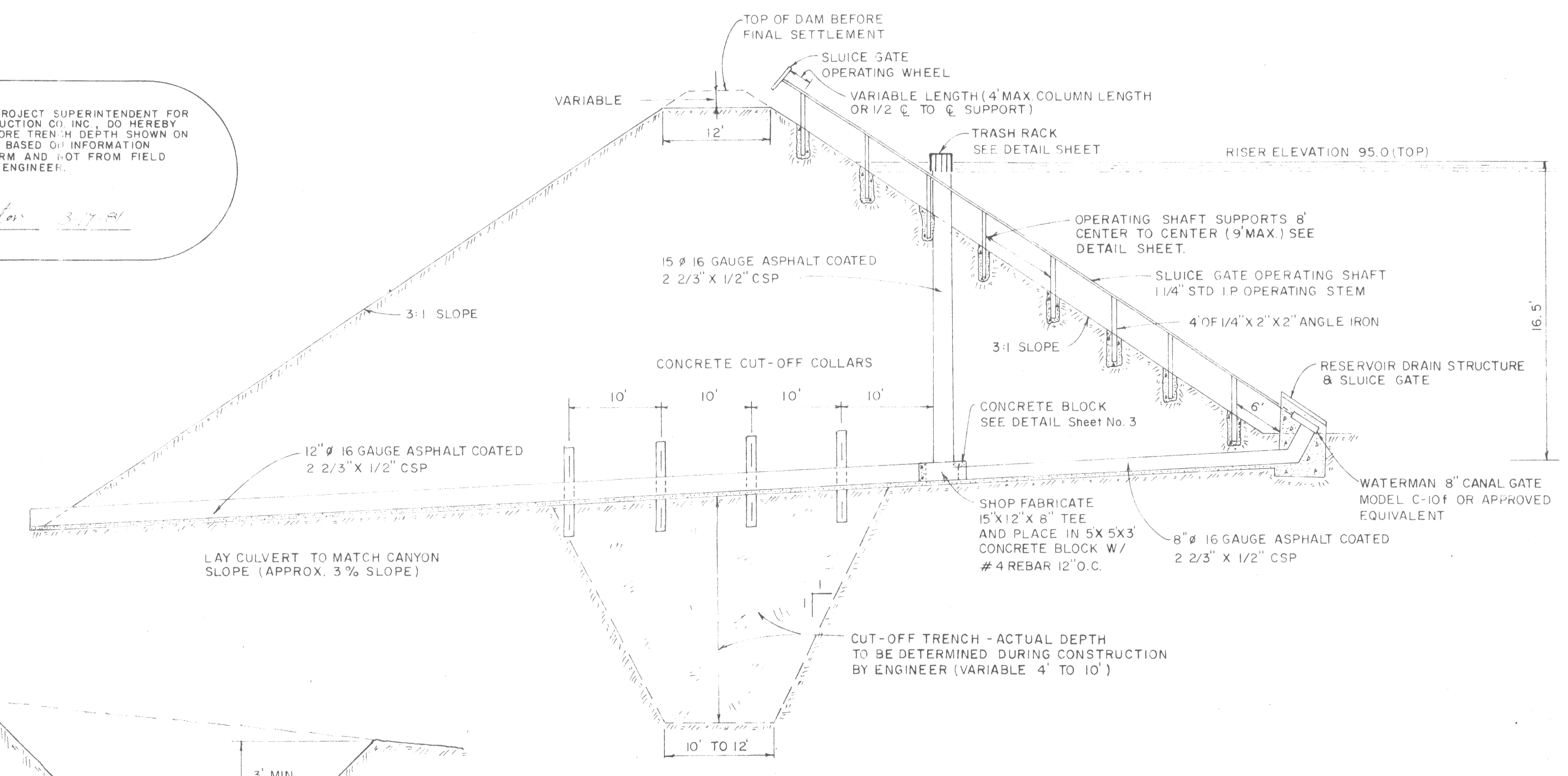
**PROFILE ON DAM CENTERLINE**  
 H: 1" = 50' V: 1" = 4'

I, STEVEN BURTON, PROJECT SUPERINTENDENT FOR JIM FOWLER CONSTRUCTION CO. INC. DO HEREBY CERTIFY THAT THE CORE TRENCH DEPTH SHOWN ON THE WITHIN PLANS IS BASED ON INFORMATION PROVIDED BY OUR FIRM AND NOT FROM FIELD INSPECTION BY THE ENGINEER.

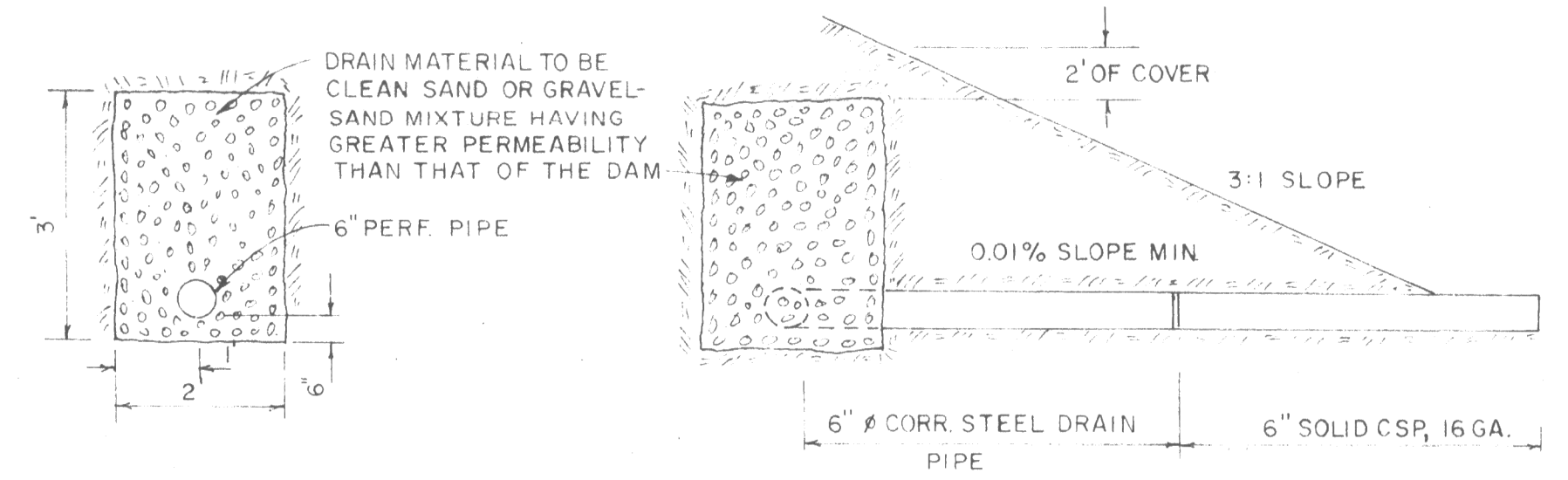
*Steven Burton 3.7.81*



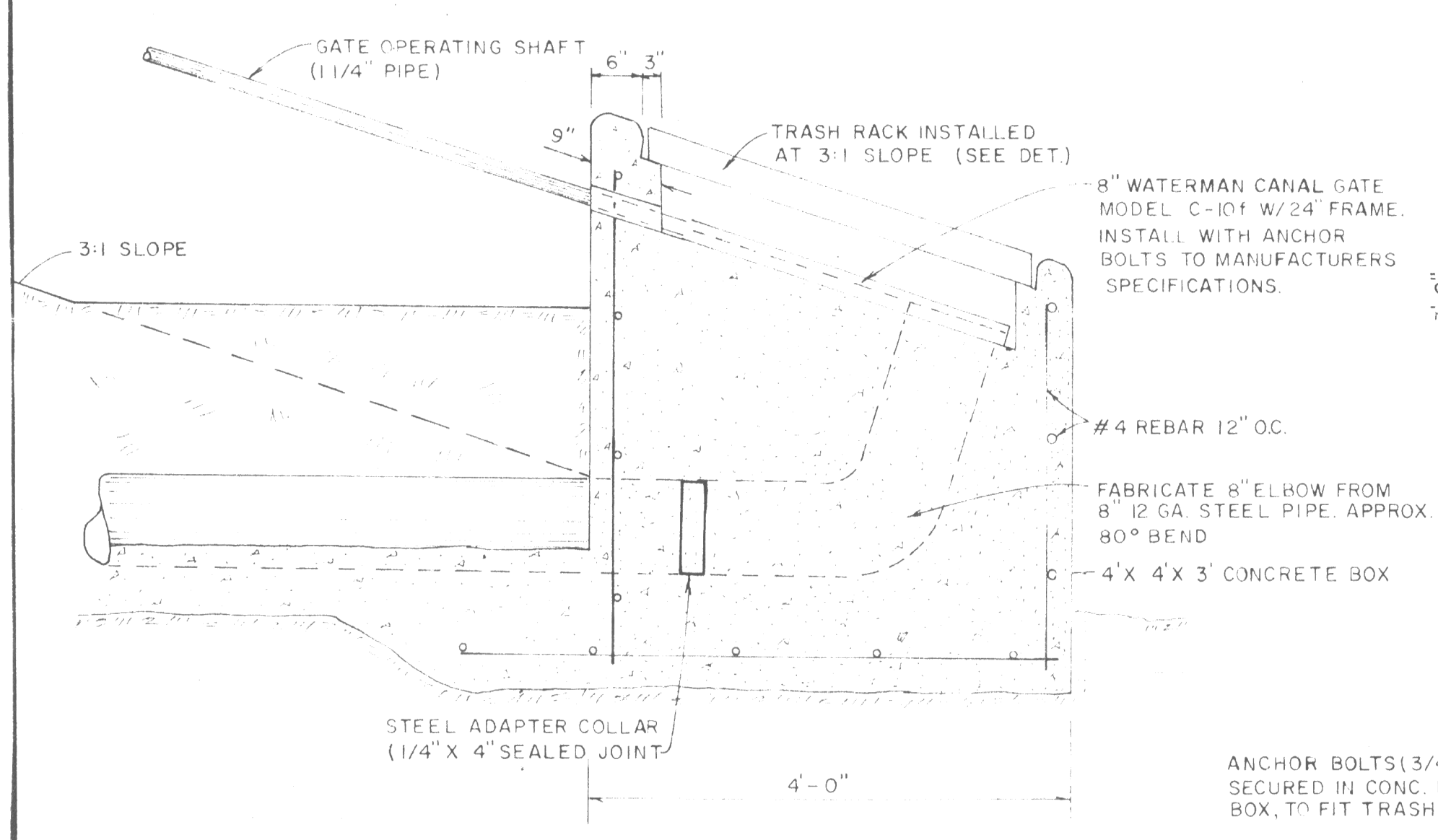
**TYPICAL SPILLWAY SECTION**  
 NOT TO SCALE



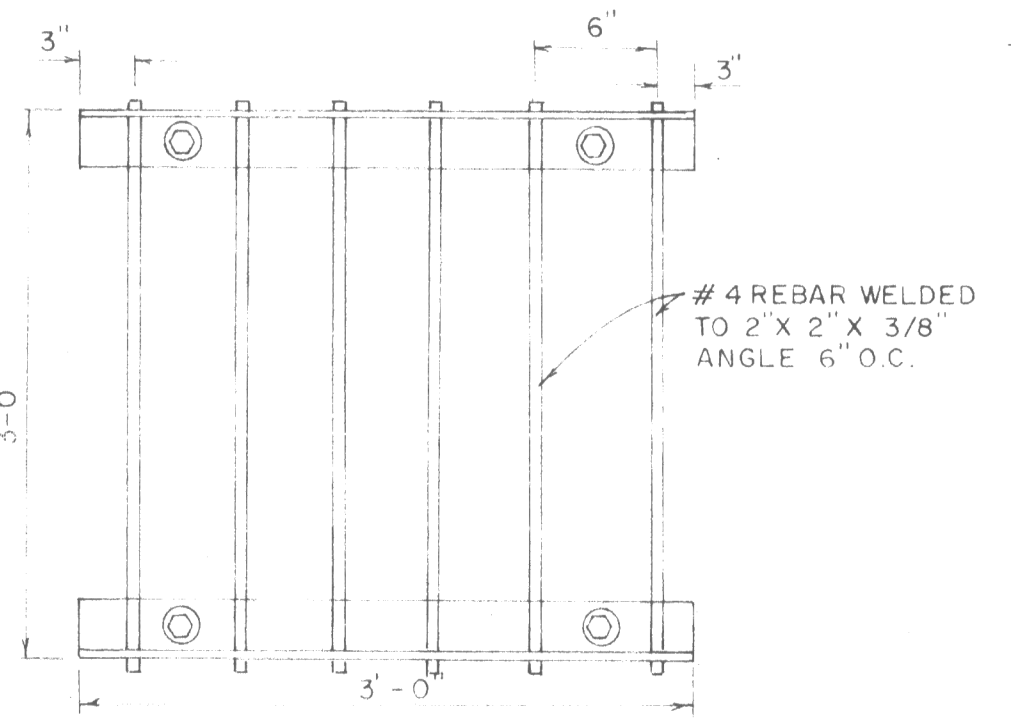
**DAM CROSS SECTION AT DISCHARGE TUBE CENTERLINE**  
 H: 1" = 10' V: 1" = 5'



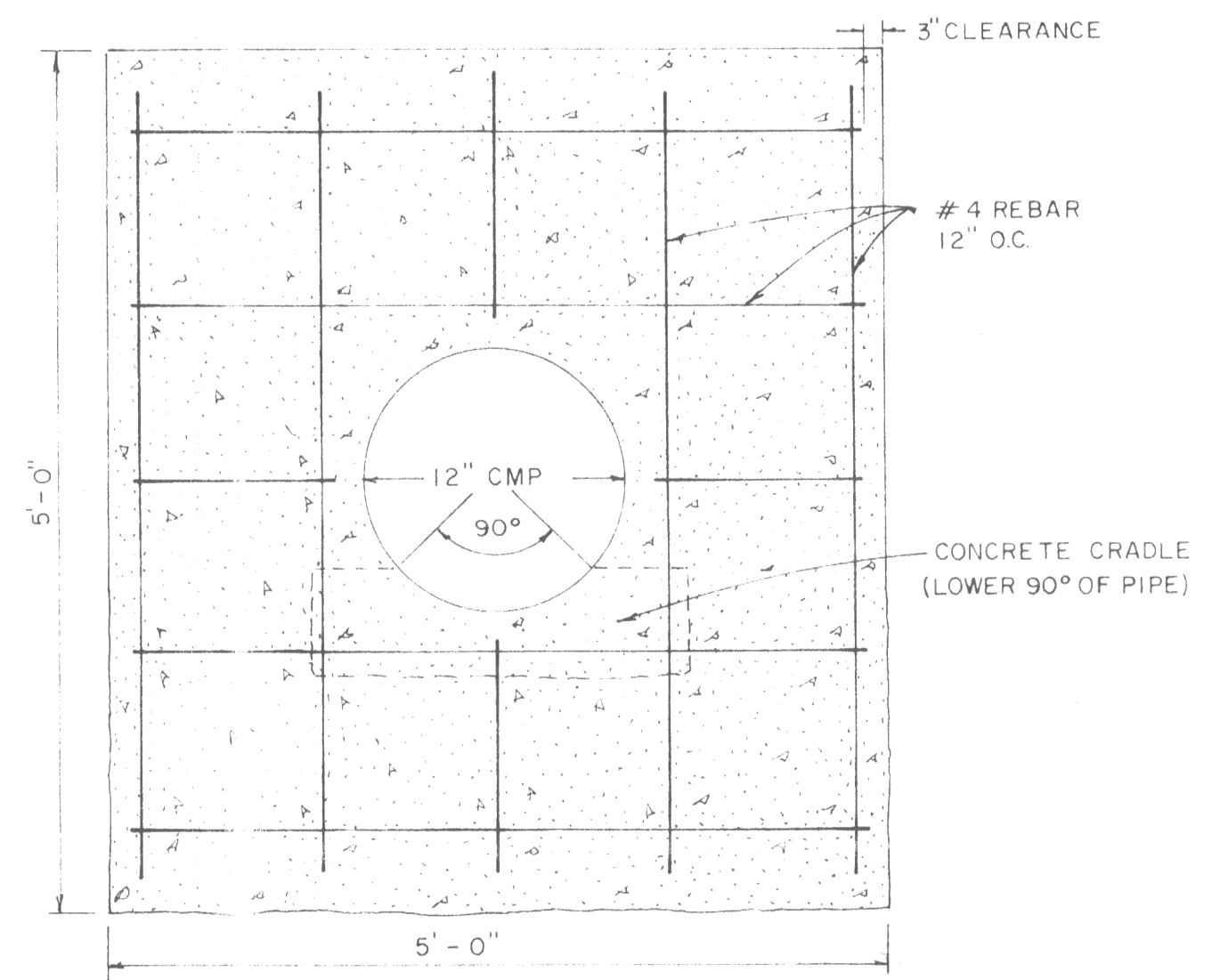
**TOE DRAIN OUTLET DETAILS**  
 NOT TO SCALE



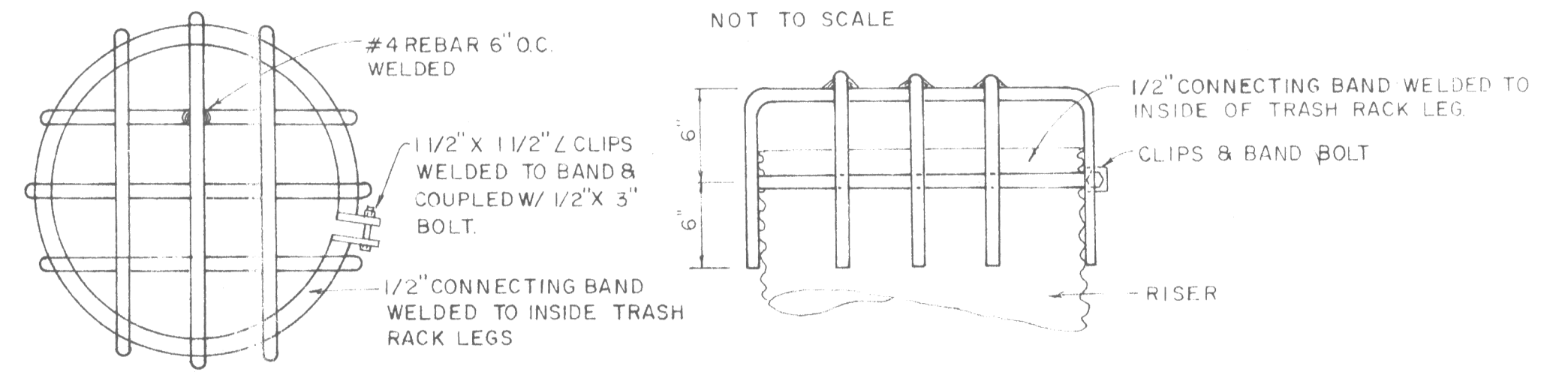
**RESERVOIR DRAIN BOX DETAIL**  
 NOT TO SCALE



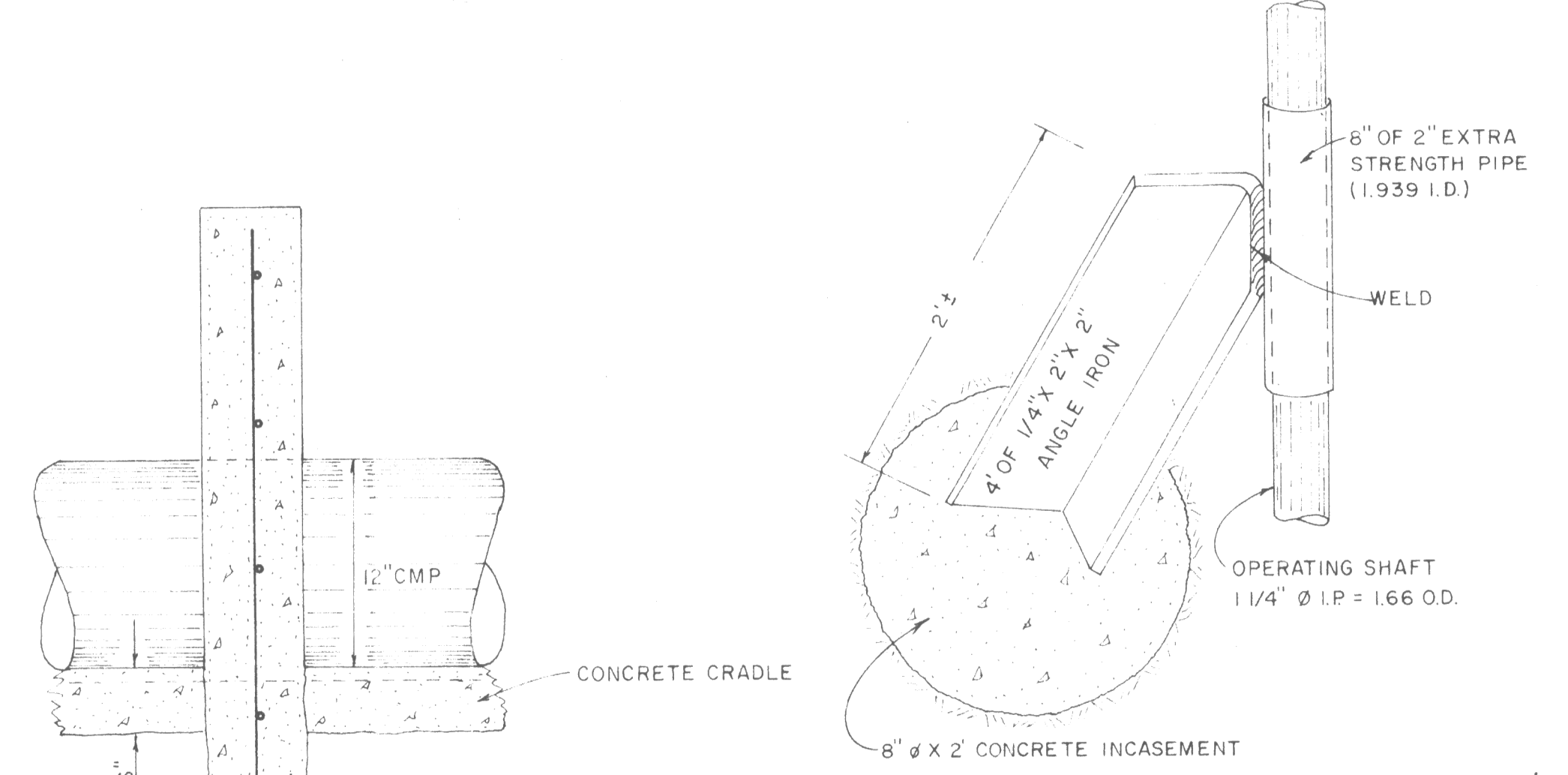
**DRAIN BOX TRASH RACK**  
 NOT TO SCALE



**CONCRETE CUT-OFF COLLAR DETAIL**  
 NOT TO SCALE



**RISER TRASH RACK DETAILS**  
 NOT TO SCALE



**SLUICE GATE OPERATING SHAFT DETAIL**  
 NOT TO SCALE

RECEIVED  
 MAR 31 2010  
 WATERBURY CONSULTANTS

**AS - CONSTRUCTED** 4-2-81

**BROWN - HARLAND DAM**  
 IN S.W. 1/4 SECTION 23, T 7S, R 5W

Scale: As Shown	Date: JUNE 4, 1980	Revised JULY 21, 1980
Design MGB	M. G. BOATWRIGHT & ASSOCIATES	SHEET
Drawn GTD	2613 Twelfth Street S. E.	2
Checked MGB	SALEM, OREGON 97302	2