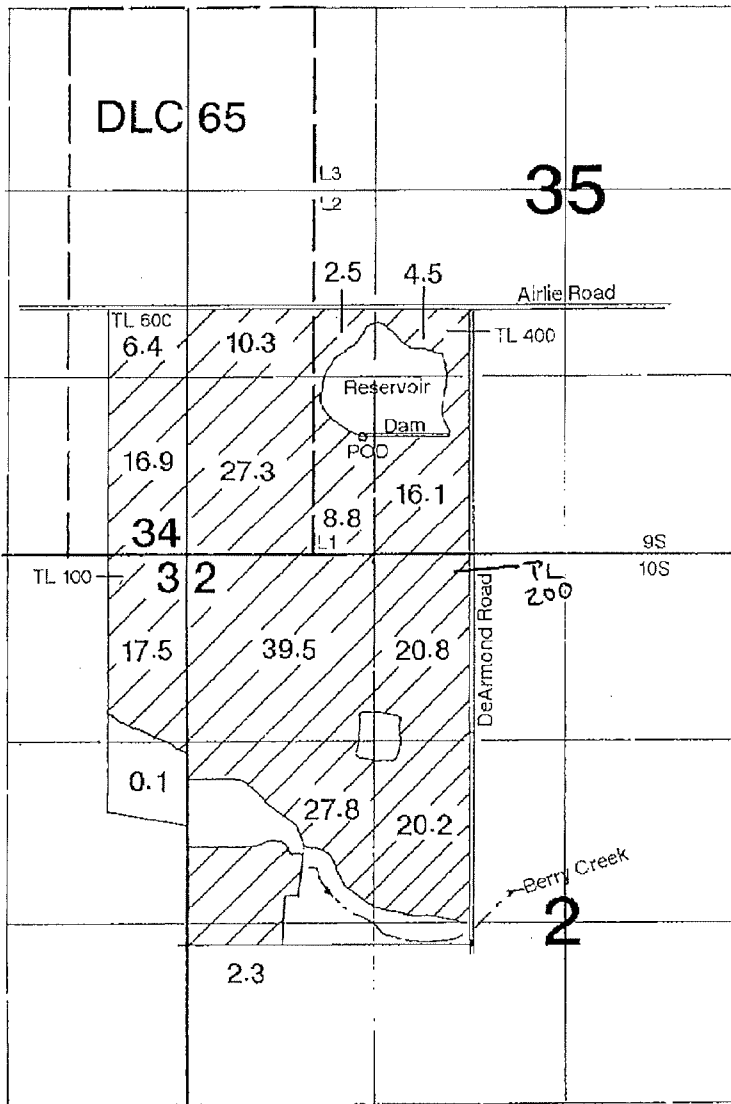


# T.9S. & 10S., R.5W., W.M.



POD is located 910' N & 1250' E from the SW corner of Section 35.

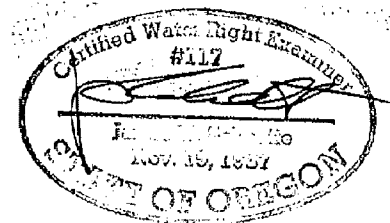
## Application Map

# Garth & Susan Mulkey

Application #: 587691

S-87691

This Map was Prepared for the Purpose of Identifying the Location of a Water Right Only and is Not Intended to Provide Legal Dimensions or Location of Property Ownership Lines.



RECEIVED

MAY 16 2011

WATER RESOURCES DEPT  
SALEM, OREGON

To: O.W.R. / attn: Karrie

503-986-0901

(Section 2 tax lot #200)

From: Garth & Susan Mulkey

1-855-723-4742

Appl.# 587691

2 pages total

RECEIVED

MAY 16 2011

WATER RESOURCES DEPT

MAY 06 10 51 AM '11