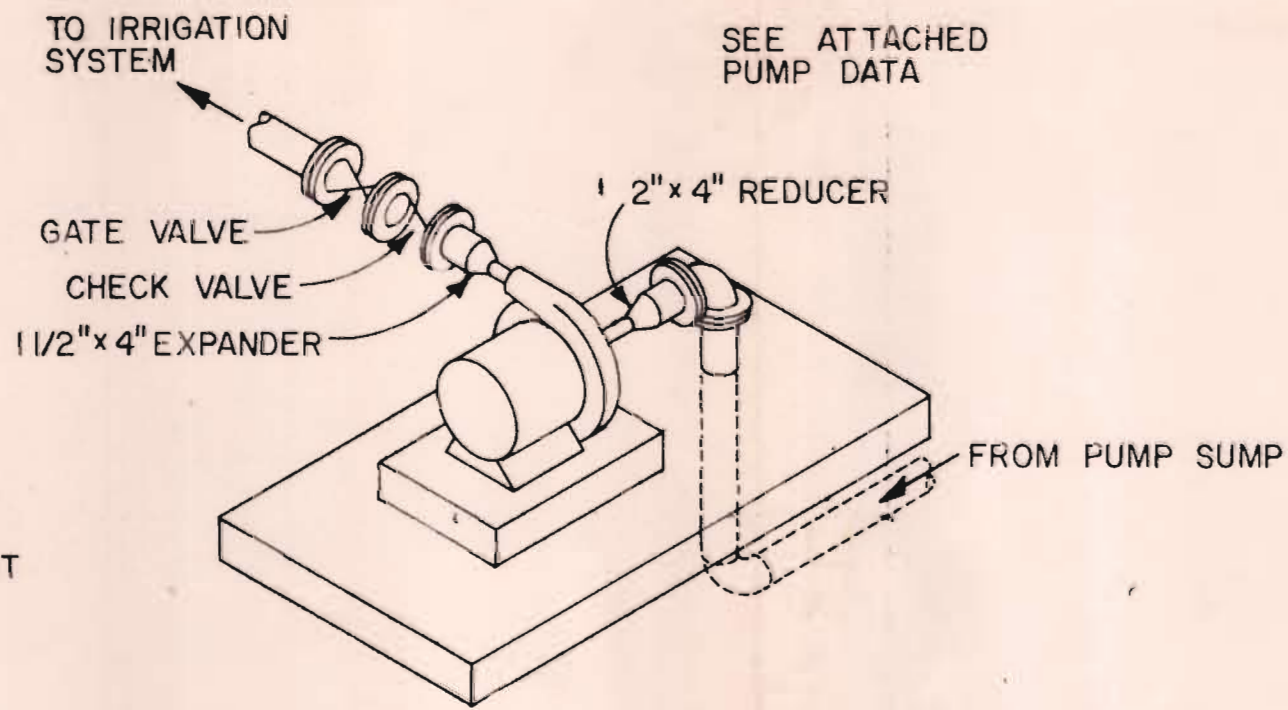


RECEIVED
 APR 11 1980
 WATER RESOURCES DEPT
 SALEM, OREGON

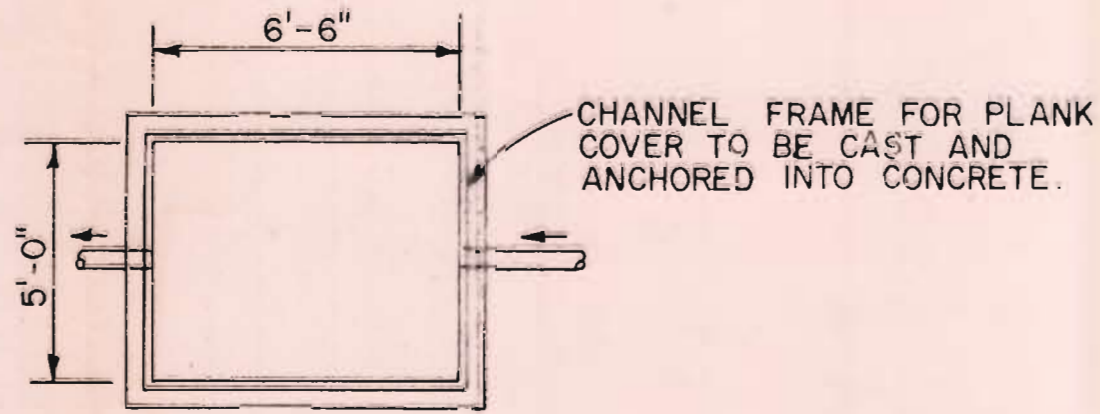
RECEIVED
 STATE ENGINEER



PUMP DIAGRAM
 NO SCALE

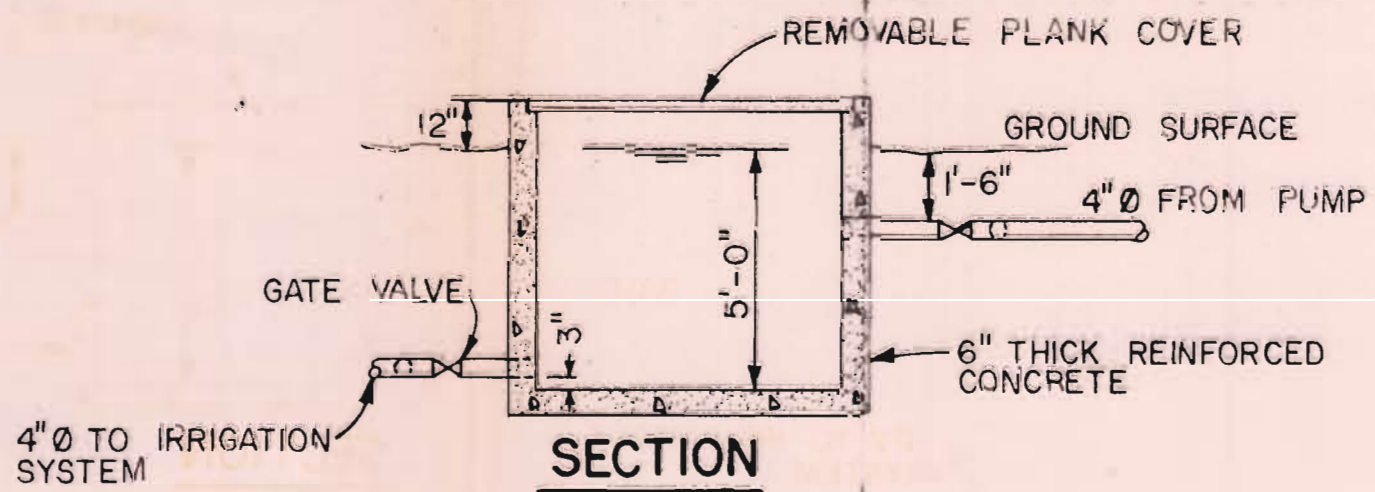
PUMP & MOTOR TO BE IN WEATHERTIGHT ENCLOSURE

TANK CAPACITY
 1200 GAL.



PLAN

IRRIGATION PUMP TO BE CONTROLLED BY FLOAT VALVE IN SURGE TANK.



SECTION

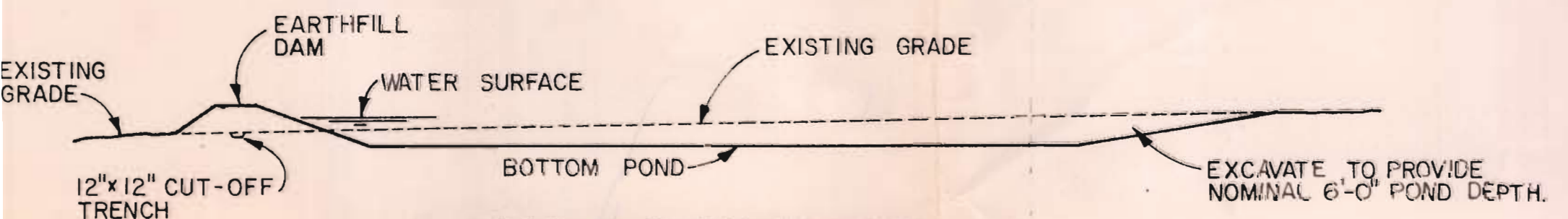
SURGE TANK DETAIL

SCALE: 1/4"=1'-0"

N.E. CORNER G.W. PALMATEER
 DLC NO. 63 FENCE CORNER

NOTES:

1. ALL SLOPES SUBJECT TO EROSION FROM THE POND TO BE 3:1 UNLESS NATURAL SLOPE IS LESS STEEP.
2. POND AREA TO BE CLEARED AND GRUBBED BEFORE USING EXCAVATED MATERIALS FOR FILL ON DAM.
3. ALL SLOPES SUBJECT TO EROSION FROM CURRENT TO BE PROTECTED BY RIP-RAP.
4. ALL IRRIGATION PIPE AND FITTINGS TO BE PVC SCH. 80 SOLVENT WELD EXCEPT VALVES WHICH SHALL BE REMOVABLE.
5. SEE ATTACHED SHEETS FOR ADDITIONAL DATA.

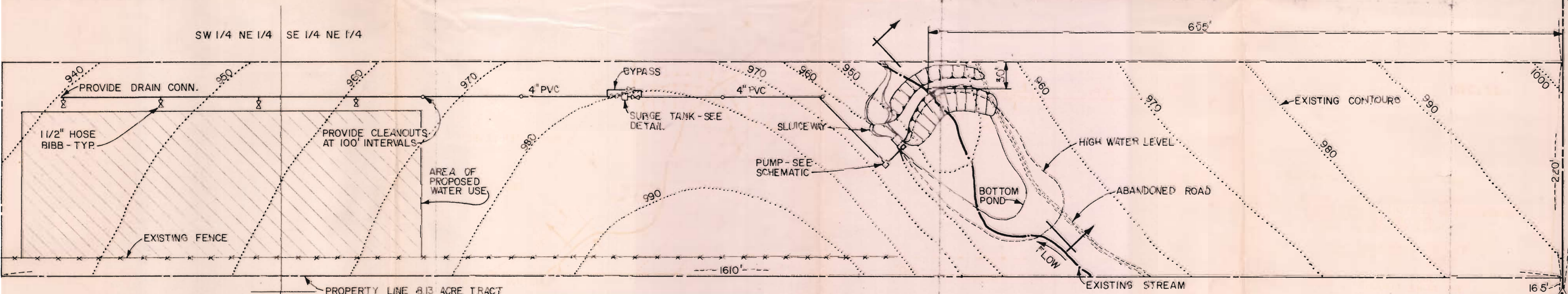


PROFILE THROUGH POND

SCALE: 1"=30'

SECT. 22

SECT. 23



PROPERTY LINE 8.13 ACRE TRACT

165'