

WATER RIGHT APPLICATION MAP
 FOR
 MICHAEL HART AND KARIN S. HART
 2090 EAST LAKESHORE DRIVE
 AGOURA, CA 91301
 SITUATED
 12145 OREGON STATE HIGHWAY NO. 238
 JACKSONVILLE, OR 97530
 J. O'BRIEN DLC NO. 37, NW1/4NE1/4, SECTION 25
 TOWNSHIP 38 SOUTH, RANGE 4 WEST, W.M.
 JACKSON COUNTY, OREGON

NW Corner
 DLC No. 37
 (Not Visited)



Scale: 1"=100'
 Date: August 1, 2012

LEGEND

- Found Survey Monument
- △ Denotes Computed Point
- Denotes Building or Structure
- ⊕ Denotes Point of Diversion Pump Location
- ▨ Denotes Place of Use

Point of Diversion—Situated 825'
 South and 1540' East from N.W.
 corner DLC No. 37.

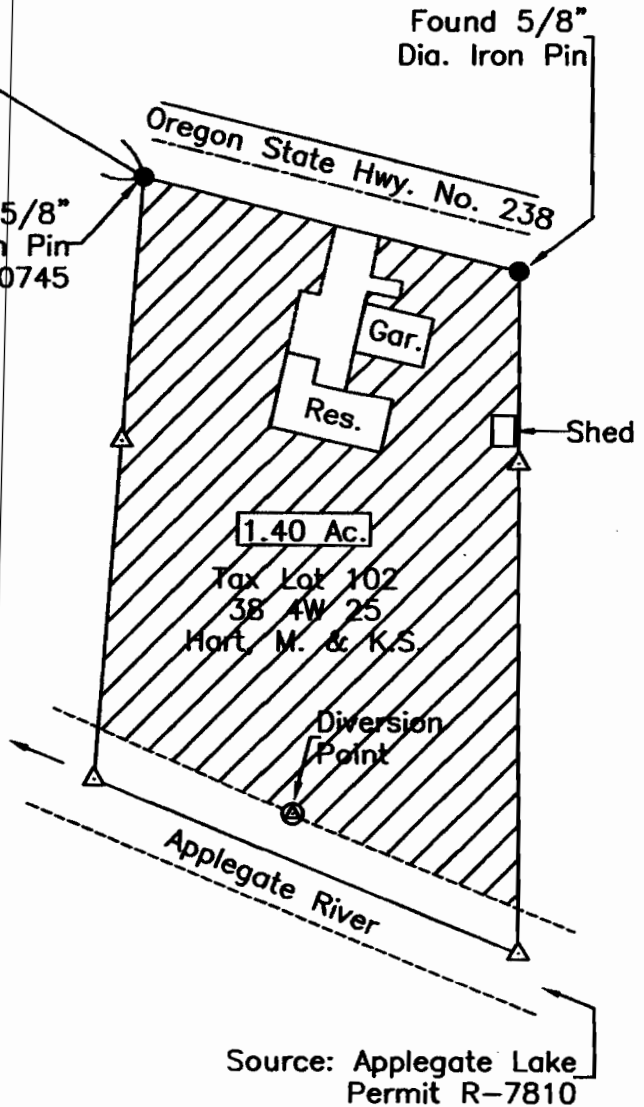


HAROLD L. CENTER
 2604 David Lane
 Medford, OR. 97504
 Phone 541-535-6108
 Oregon Certificate No. 152
 Certificate Renewal Date: 12/31/2013

Project: HART 12-10

This map was prepared for the purpose of identifying the location of a water right only and is not intended to provide legal dimensions or location of property ownership.

S71°16'11"E
 1546.43'



RECEIVED BY OWRD

AUG 27 2012

SALEM, OR

WATER RIGHT APPLICATION MAP
FOR
MICHAEL HART AND KARIN S. HART
2090 EAST LAKESHORE DRIVE
AGOURA, CA 91301
SITUATED
12145 OREGON STATE HIGHWAY NO. 238
JACKSONVILLE, OR 97530
J. O'BRIEN DLC NO. 37, NW1/4NE1/4, SECTION 25
TOWNSHIP 38 SOUTH, RANGE 4 WEST, W.M.
JACKSON COUNTY, OREGON

NW Corner
DLC No. 37
(Not Visited)

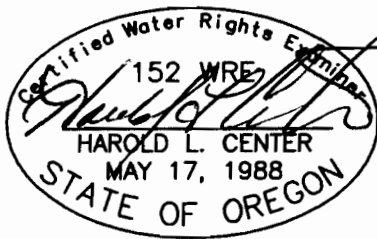


Scale: 1"=100'
Date: August 1, 2012

LEGEND

- Found Survey Monument
- ▲ Denotes Computed Point
- Denotes Building or Structure
- ⊙ Denotes Point of Diversion
Pump Location
- ▨ Denotes Place of Use

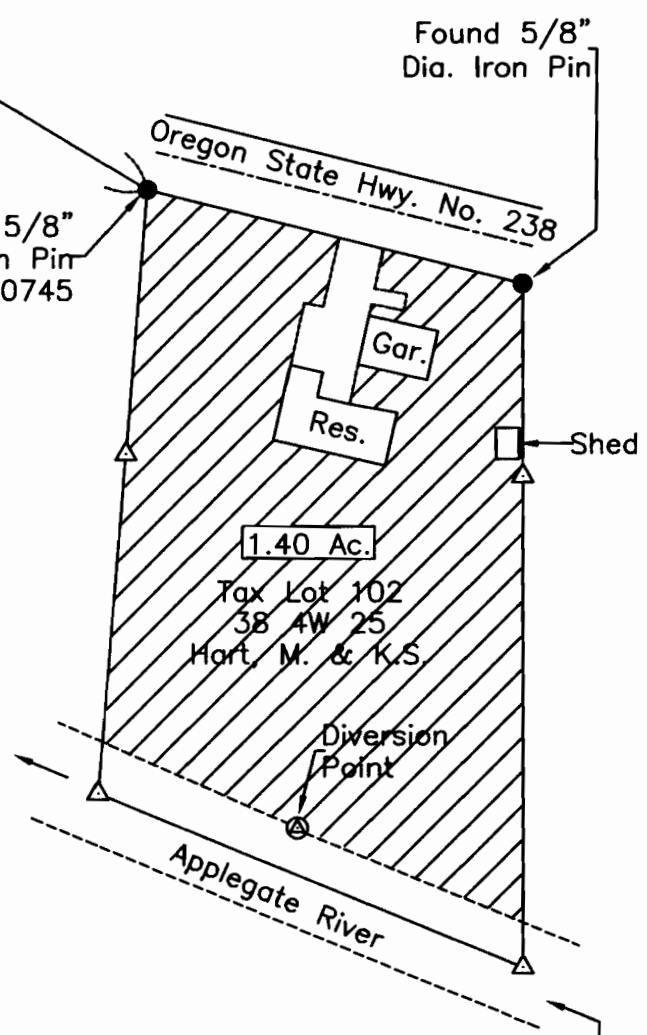
Point of Diversion—Situated 825'
South and 1540' East from N.W.
corner DLC No. 37.



HAROLD L. CENTER
 2604 David Lane
 Medford, OR. 97504
 Phone 541-535-6108
 Oregon Certificate No. 152
 Certificate Renewal Date: 12/31/2013

This map was prepared for the purpose of identifying the location of a water right only and is not intended to provide legal dimensions or location of property ownership.

S71°16'11"E
1546.43'



Source: Applegate Lake
Permit R-7810

RECEIVED BY OWRD

MAP OF WATER RIGHT PARTIAL CANCELLATION
 STATE OF OREGON RECORD OF WATER RIGHT CERTIFICATE No. 56004
 FOR
 MICHAEL HART AND KARIN S. HART
 2090 EAST LAKESHORE DRIVE
 AGOURA, CA 91301
 SITUATED IN
 J. O'BRIEN DLC NO. 37, NW1/4NE1/4, SECTION 25
 TOWNSHIP 38 SOUTH, RANGE 4 WEST, W.M.
 JACKSON COUNTY, OREGON
 EXHIBIT 'A'

NW Corner
 DLC No. 37
 (Not Visited)



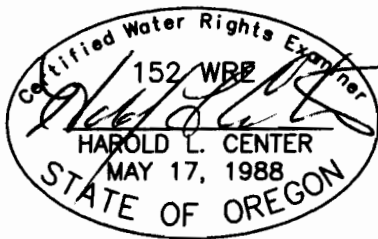
Scale: 1"=100'
 Date: August 1, 2012

LEGEND

- Found Survey Monument
- △ Denotes Computed Point
- Denotes Building or Structure
- Ⓟ Authorized Point of Diversion
- ▨ Denotes Area of Partial Cancellation Certificate S-56004

This map was prepared for the purpose of identifying the location of a water right only and is not intended to provide legal dimensions or location of property ownership.

Source: Applegate River
 Authorized Point of Diversion:
 1080' South and 100' West from
 North 1/4 Corner Section 25



HAROLD L. CENTER
 2604 David Lane
 Medford, OR. 97504
 Phone 541-535-6108
 Oregon Certificate No. 152
 Certificate Renewal Date: 12/31/2013

Project: 12-10 HART-PC

S71°16'11"E
 1546.43'

Found 5/8"
 Dia. Iron Pin

Found 5/8"
 Dia. Iron Pin
 SN 10745

Oregon State Hwy. No. 238

Gar.

Res.

Shed

0.80 Ac.

Tax Lot 102
 38 4W 25
 Hart, M. & K.S.

Applegate River

Source: Applegate River

RECEIVED BY OWRD

AUG 27 2012

SALEM, OR