

RECEIVED

NOV 05 1999

WATER RESOURCES DEPT.
SALEM, OREGON

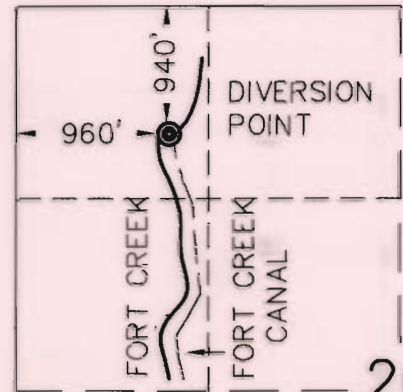
FINAL PROOF MAP FOR KLAMATH ADJUDICATION CLAIM #697 FOR ALLAN KLUS

LOCATED IN THE S $\frac{1}{2}$ SW $\frac{1}{4}$, SEC. 1, T.34S., R.7 1/2E., W.M.
KLAMATH COUNTY, OREGON



SCALE: 1" = 1320'

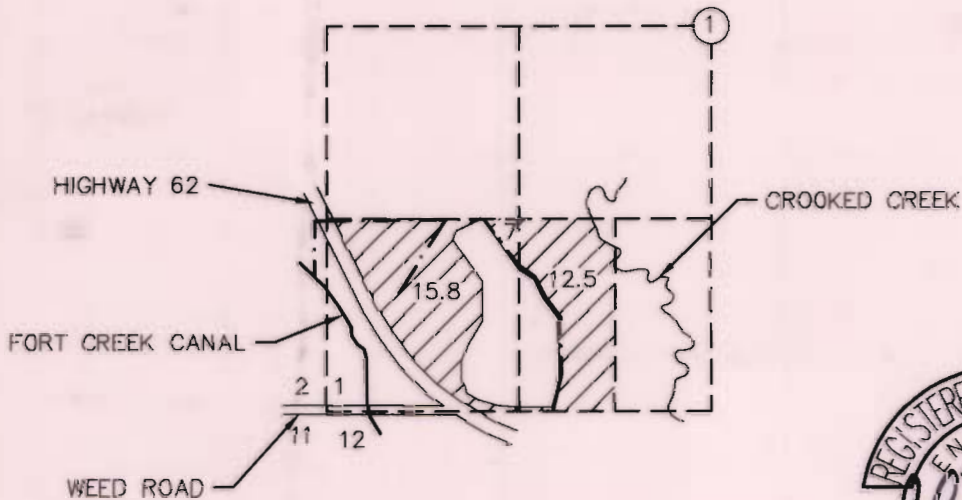
THIS MAP IS FOR THE PURPOSE OF IDENTIFYING THE LOCATION OF THE WATER RIGHT ONLY AND HAS NO INTENT TO PROVIDE DIMENSIONS OR LOCATION OF PROPERTY LINES.



T.33S., R.07 1/2E., W.M.



IRRIGATED AREA



EXPIRES 6/30/01

KLAMATH ADJUDICATION
CLAIM # **697** PAGE # **67**

ADKINS



CONSULTING
ENGINEERS, INC.

Engineers ▲ Planners ▲ Surveyors

2950 Shasta Way • Klamath Falls, Oregon 97603 • (541) 884-4666 • FAX (541) 884-5335

October 29, 1999

Klamath Falls, OR • Medford, OR • Alturas, CA

JOB No. 2149-01