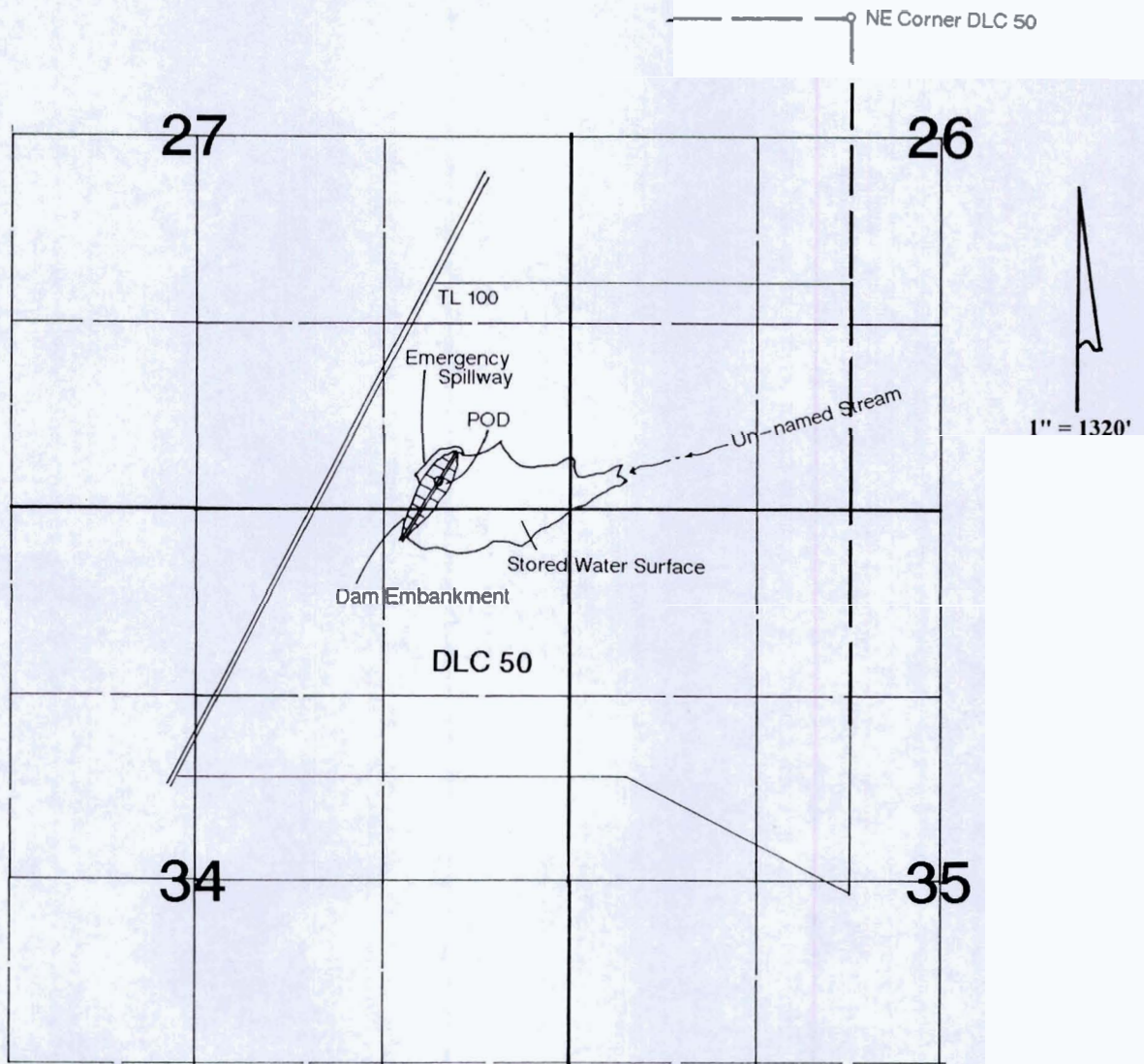


# T.2S., R.4W., W.M.



Point of Diversion (POD) is located 3206' S & 2887' W from the NE corner of DLC 50.

## Application Map

# Jensen Holdings LLC.

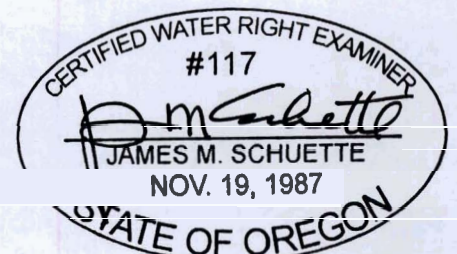
Application #:

## RECEIVED

DEC 31 2013

WATER RESOURCES DEPT  
SALEM, OREGON

This Map was Prepared for the Purpose of Identifying the Location of a Water Right Only and is Not Intended to Provide Legal Dimensions or Location of Property Ownership Lines.



EXPIRES: 6/30/2014

R-87950

CARLTON QUADRANGLE  
OREGON-YAMHILL CO.

7.5 MINUTE SERIES (TOPOGRAPHIC)

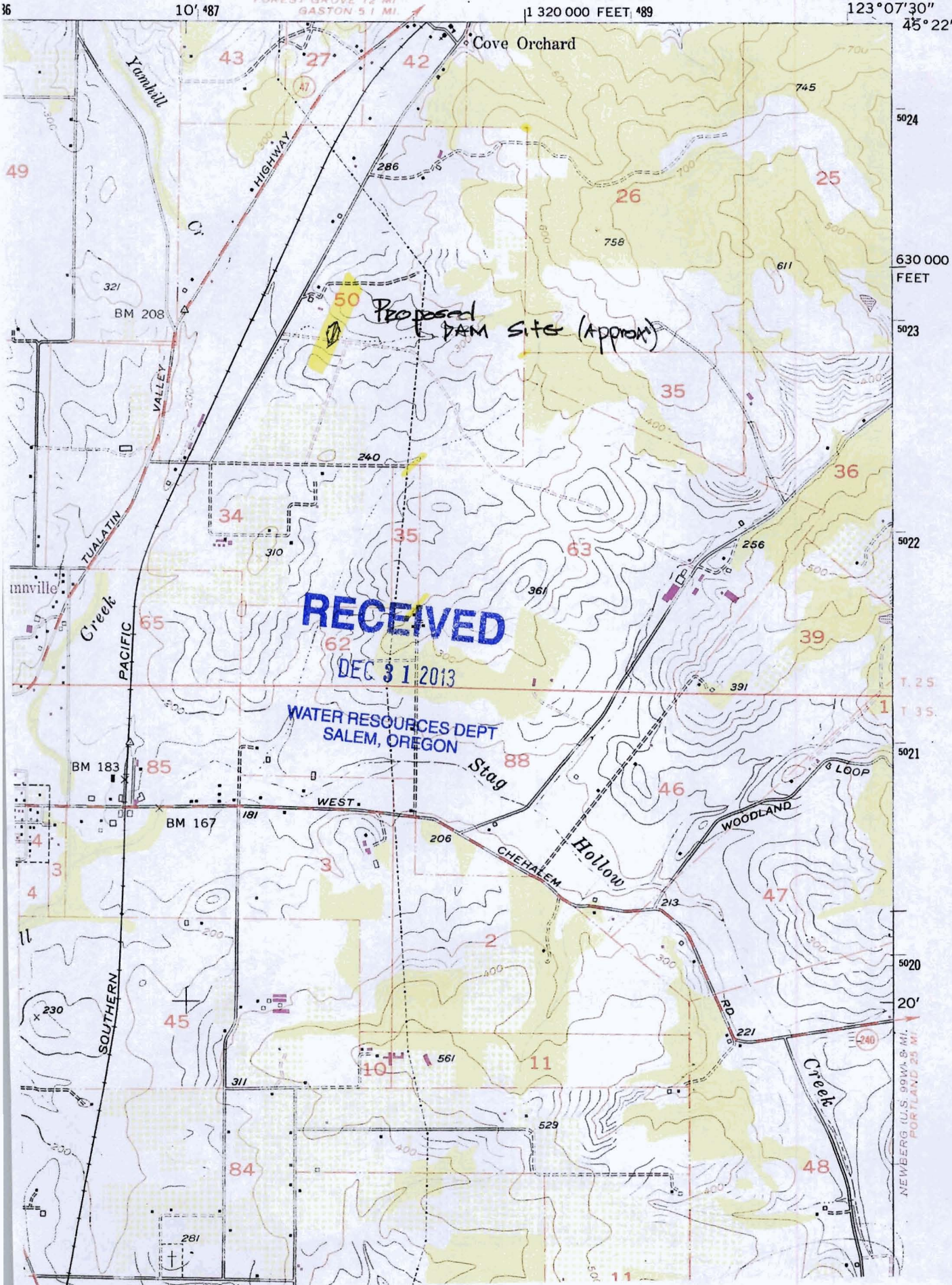
1374 1 NE  
(LAURELWOOD)

10' 487

1 320 000 FEET 489

123° 07' 30"

45° 22' 30"



R-87950



**RECEIVED**

DEC 31 2013

WATER RESOURCES DEPT  
SALEM, OREGON

JENSEN HOLDING  
RESERVOIR APPLICATION



### Cove Orchard, OR

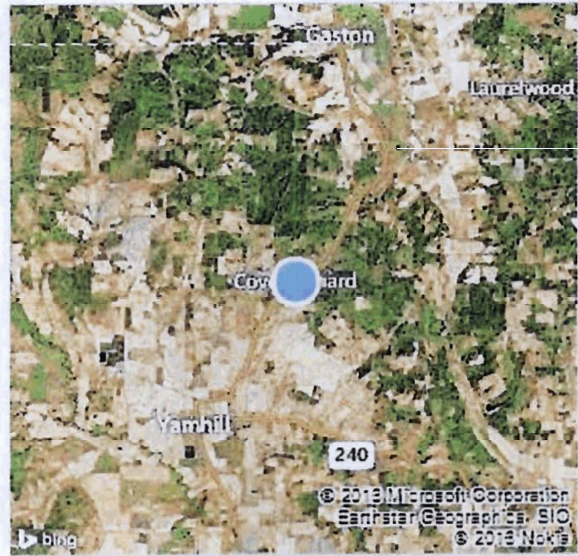
My Notes

# RECEIVED

DEC 31 2013

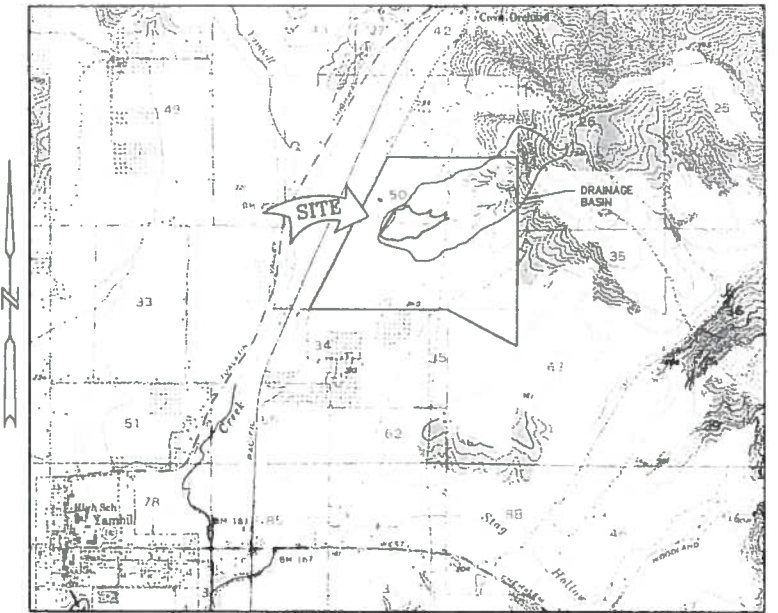
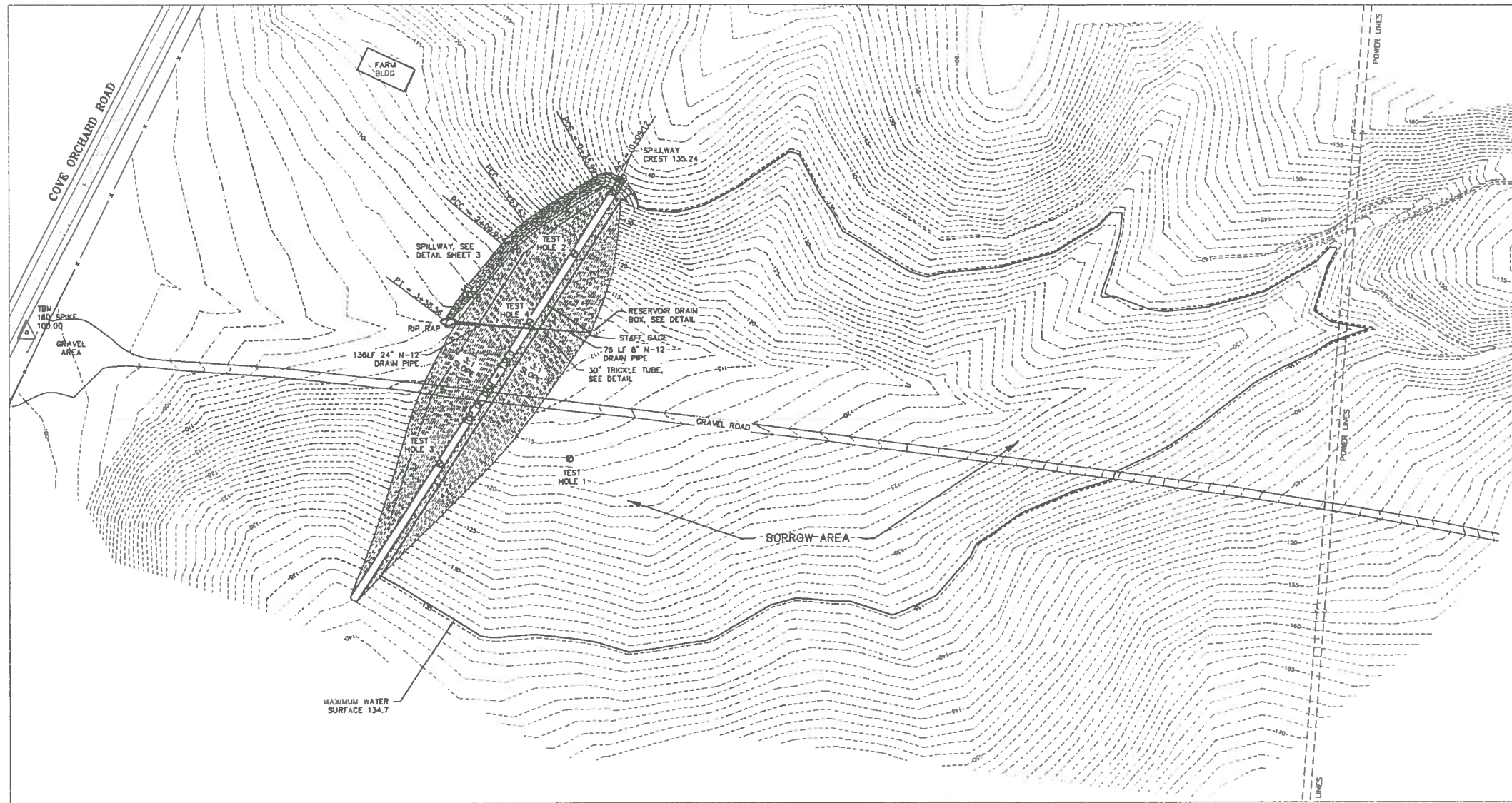
WATER RESOURCES DEPT  
SALEM, OREGON

On the go? Use [m.bing.com](http://m.bing.com) to find maps, directions, businesses, and more



'T

R-87950



DRAINAGE BASIN 0.204 SQ MI  
 100-YEAR STORM RATE = 28.0 CFS  
 POINT OF DIVERSION IS 3206' SOUTH AND 2887'  
 WEST OF THE NE CORNER JOHN J BURTON D/C 50.

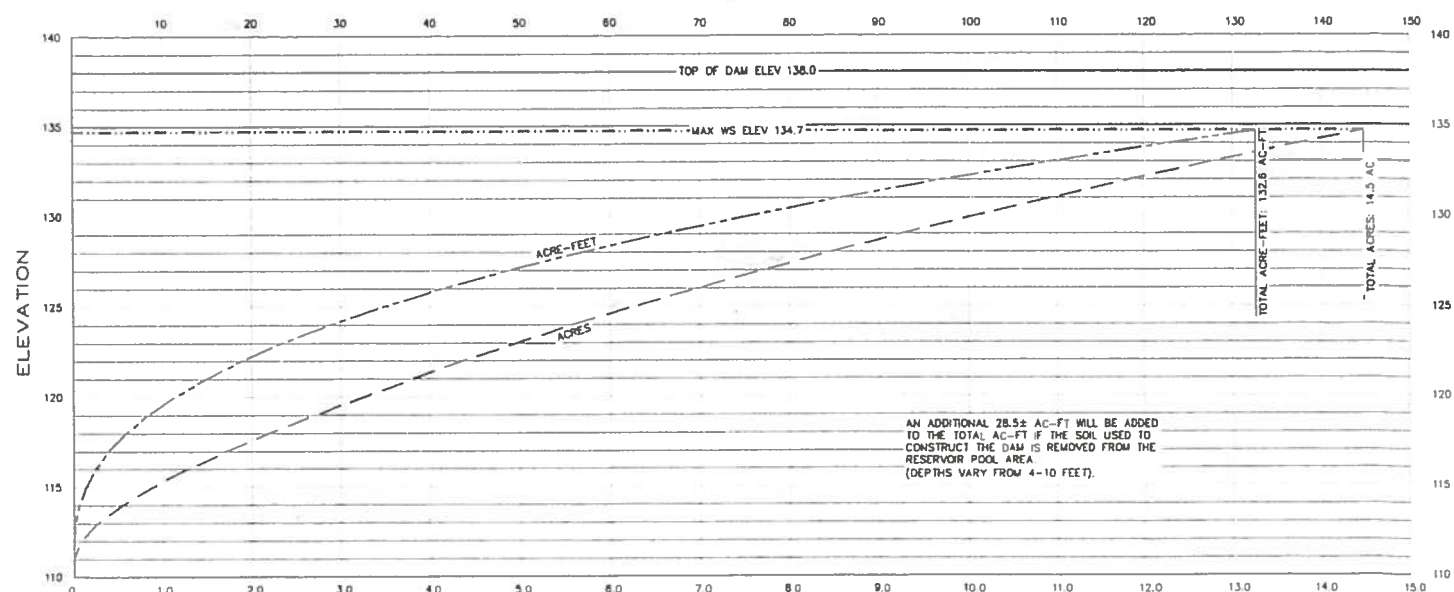
VICINITY MAP  
 SCALE 1" = 2000'

**RECEIVED**

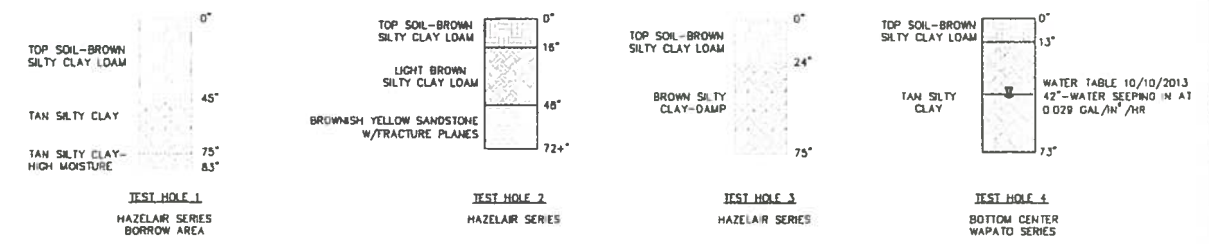
DEC 31 2013

WATER RESOURCES DEPT  
SALEM, OREGON

ACRE- FEET PRELIMINARY SITE PLAN  
 SCALE:  
 HORIZ: 1" = 10 ACFT  
 VERT: 1" = 5'



ACRES  
 SCALE:  
 HORIZ: 1" = 10 AC  
 VERT: 1" = 5'  
 AREA CAPACITY CURVE



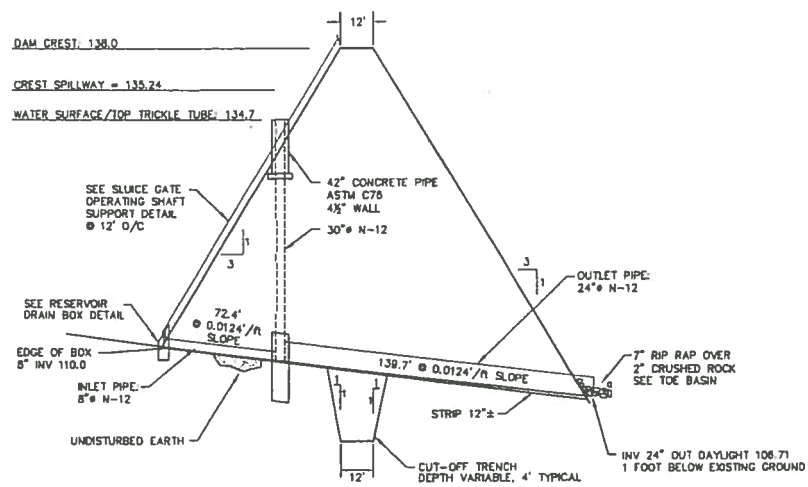
R-87950

**Yamhill Farm Dam**

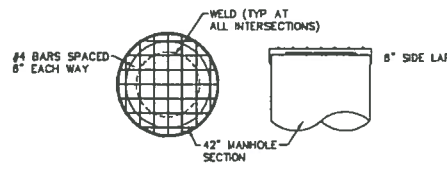
Carl Jensen Cove Orchard Rd YAMHILL COUNTY, OREGON		
Scale: 1" = 100'	Date: 12-17-2013	Revised:
Design: CFB	Boatwright Engineering, Inc.	
Drawn: CFB, PhD	2613 12th Street SE, SALEM, OREGON 97302	Job No. 13/25
Checked: CFB	TEL (503) 363-9725 • FAX (503) 363-7251	Sheet 1 of 3



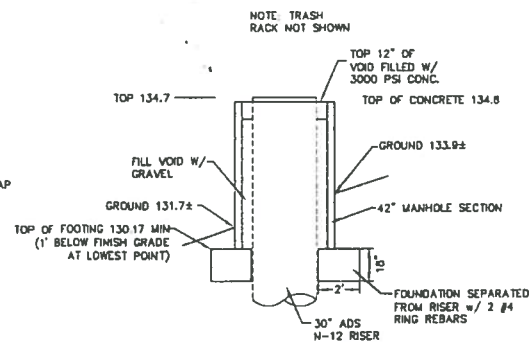
EXPIRES 12/31/15



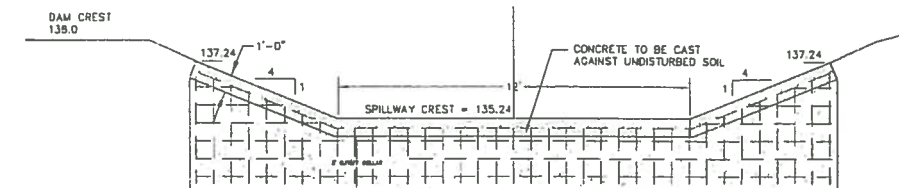
**TYPICAL DAM SECTION**  
NOT TO SCALE



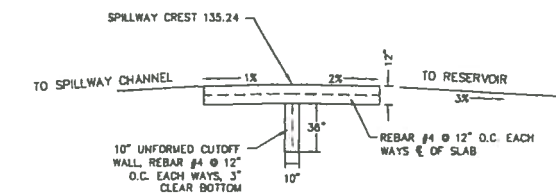
**TRICKLE TUBE & TRASH RACK DETAIL**  
NOT TO SCALE



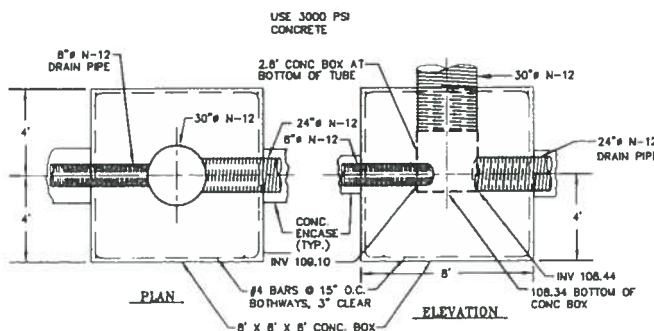
**TRICKLE TUBE DETAIL**  
NOT TO SCALE



**SPILLWAY CREST DETAIL**  
NOT TO SCALE

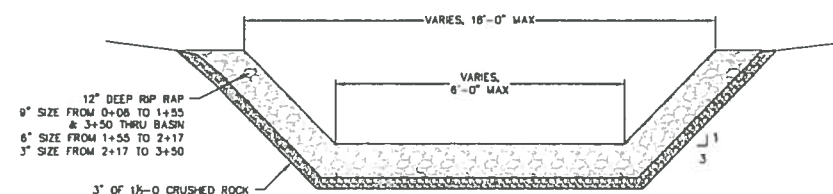


**SPILLWAY SECTION**  
NOT TO SCALE

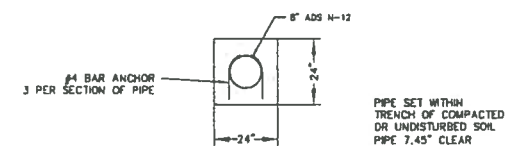


**TRICKLE TUBE BASE DETAIL**  
NOT TO SCALE

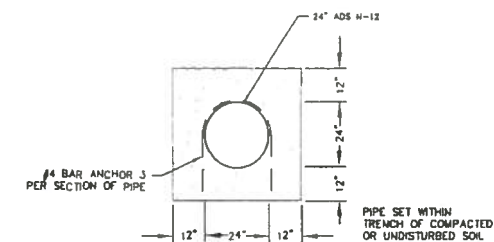
**RECEIVED**  
DEC 31 2013  
WATER RESOURCES DEPT  
SALEM, OREGON



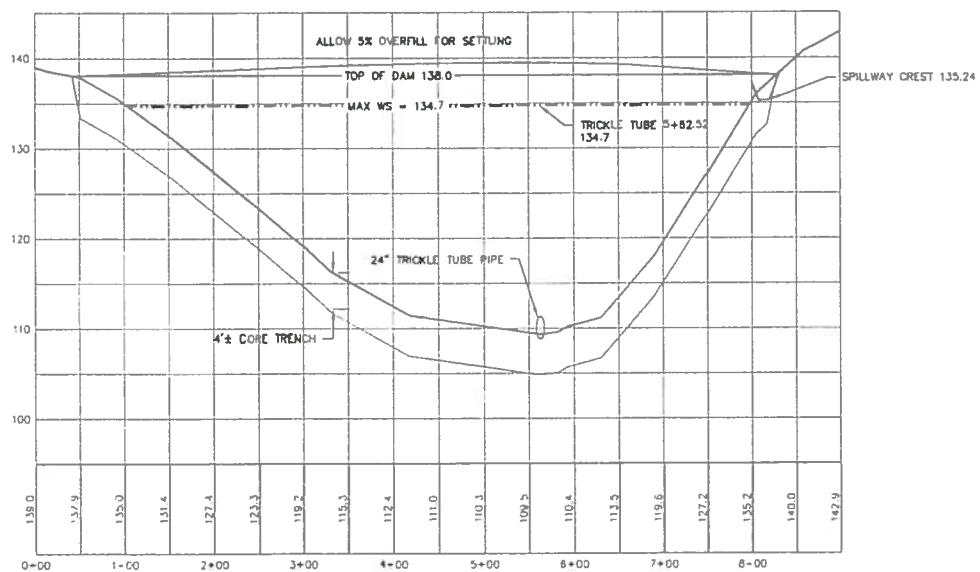
**TYPICAL RIP RAP CHANNEL SECTION**  
NOT TO SCALE



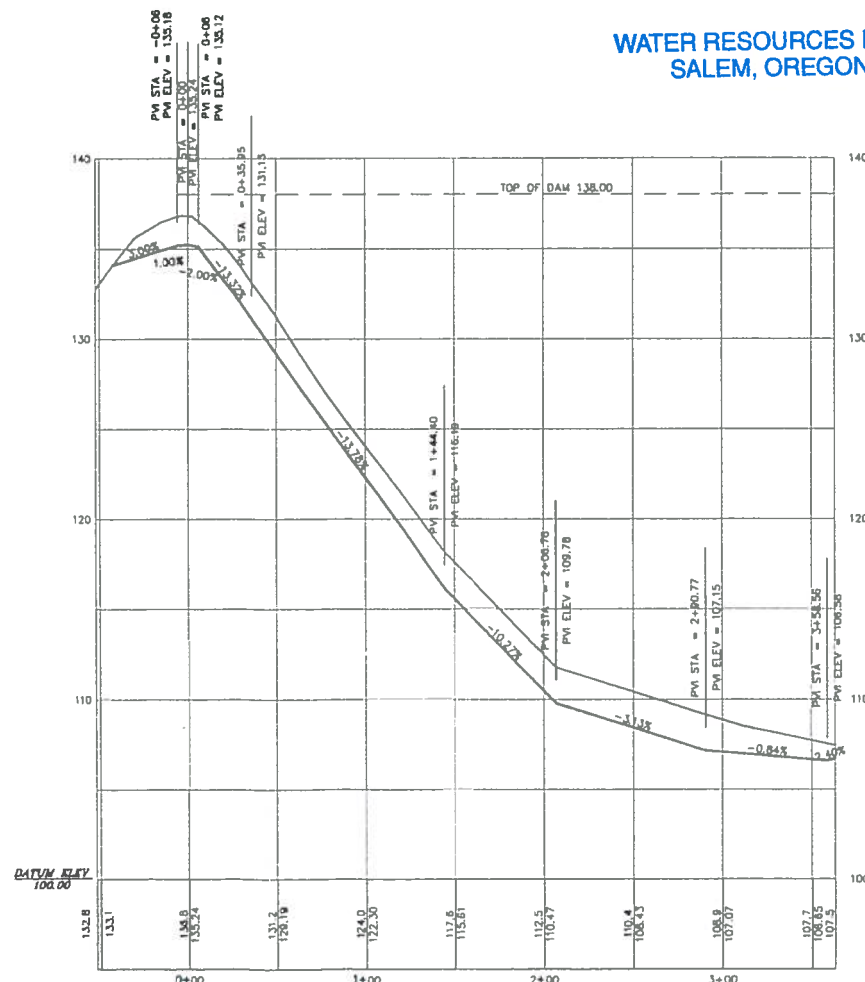
**8\"/>**



**OVERFLOW DRAIN CONCRETE ENCASUREMENT DETAIL UNDER DAM ONLY**  
LENGTH = 133'±  
NOT TO SCALE



**DAM PROFILE**  
SCALE:  
HORIZ. 1" = 100'  
VERT. 1" = 10'



ASSUMED DATUM

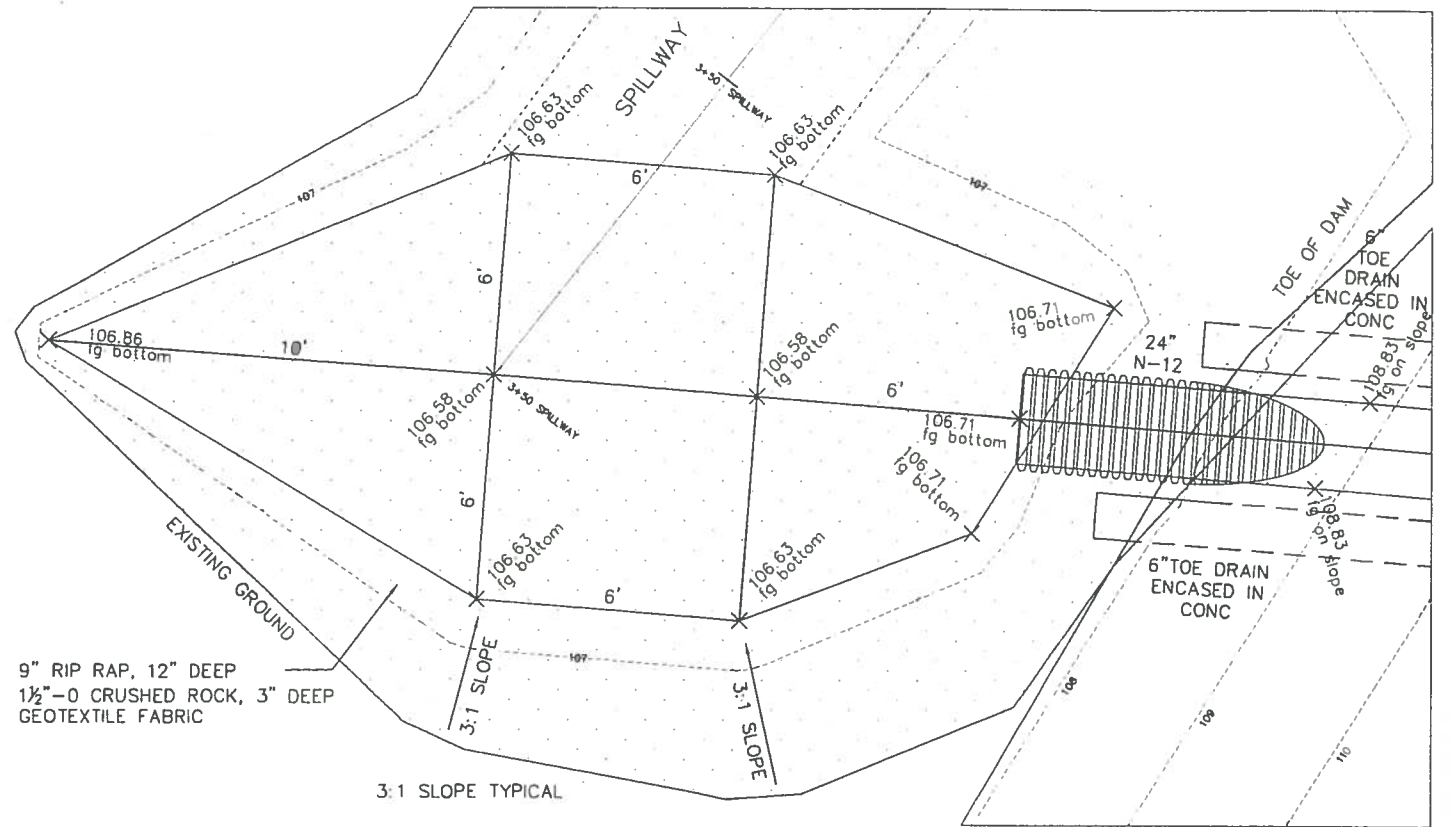
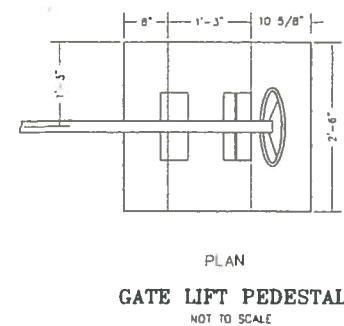
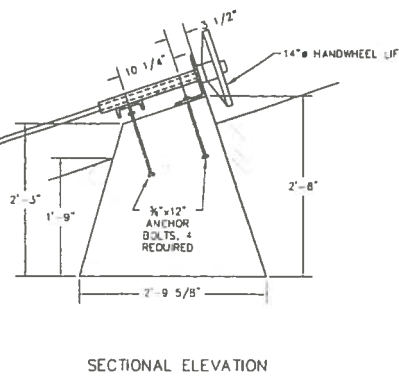
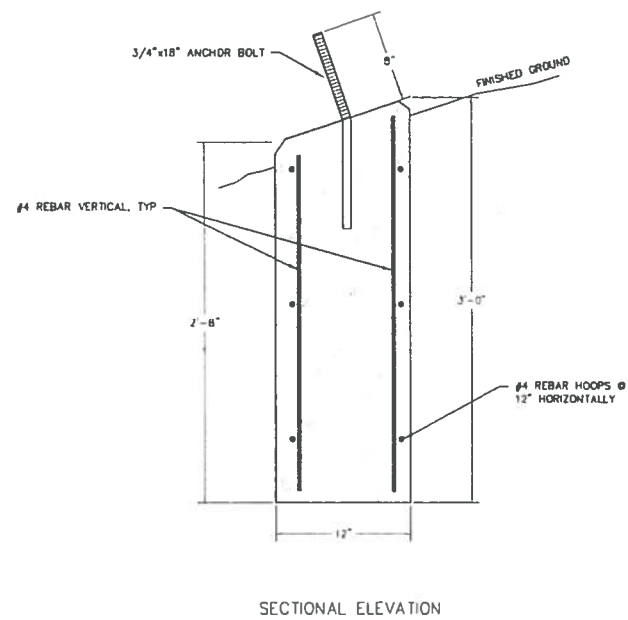
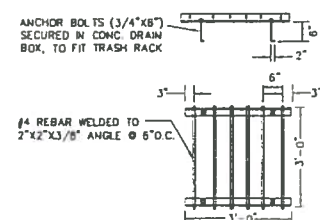
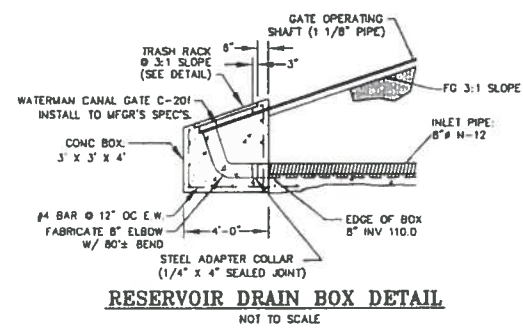
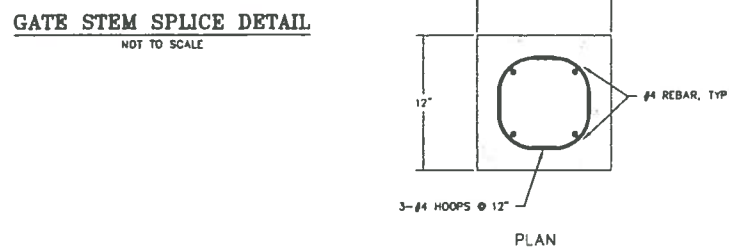
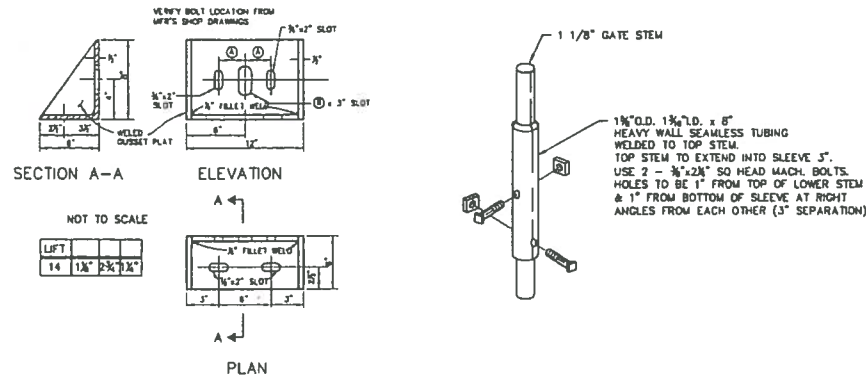
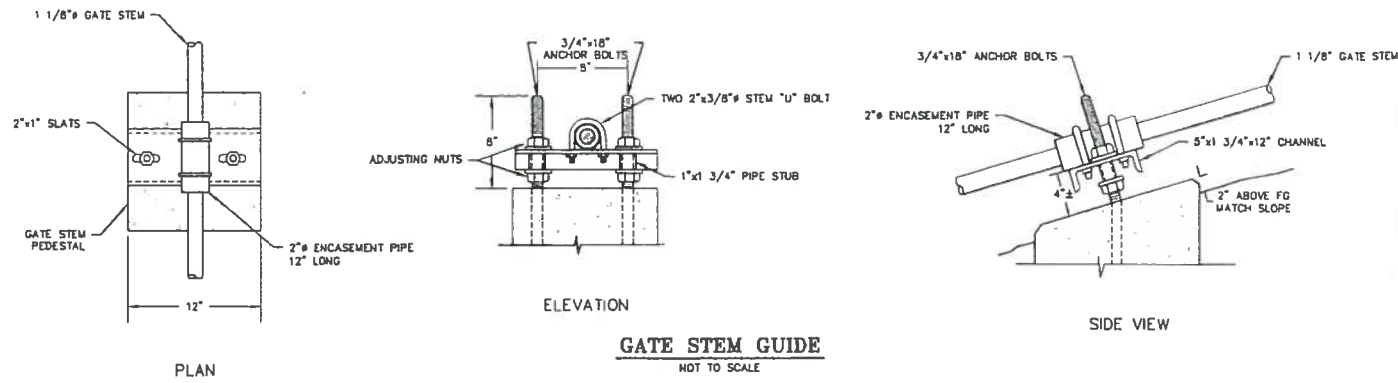
**Yamhill Farm Dam**

Carl Jensen Cove Orchard Rd		YAMHILL COUNTY, OREGON
Scale: AS SHOWN	Date: 12-17-2013	Revised:
Design: CFB	Boalwright Engineering, Inc.	Job No. 13/28
Drawn: CFB, PHD	2613 12th Street SE, SALEM, OREGON 97302	Sheet
Chkd: CFB	TEL (503) 383-9225 • FAX (503) 383-1651	2 of 3

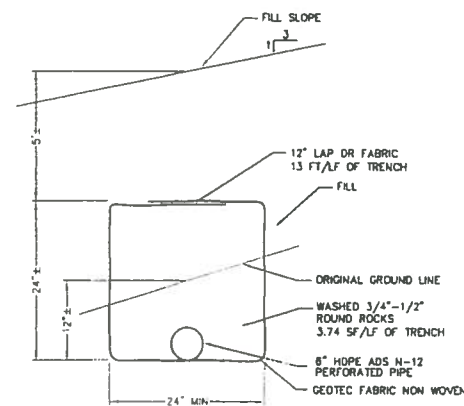
R-87950



Jensen\_Carl\_Dam\_DWG



SPILLWAY-DRAIN OUTLET BASIN DETAIL  
SCALE 1" = 20'



TOE DRAIN DETAIL  
NOT TO SCALE

STAFF GAGE DETAIL  
NOT TO SCALE

RECEIVED

DEC 31 2013

WATER RESOURCES DEPT  
SALEM, OREGON

NEED DETAIL

NOTES:  
• CONTRACTOR TO VERIFY FIELD INFORMATION PRIOR TO CONSTRUCTION.  
• CONCRETE Fc SHALL BE 3000 PSI.

ASSUMED DATUM

R-87950

Yamhill Farm Dam

Carl Jensen  
Cove Orchard Rd  
YAMHILL COUNTY, OREGON

Scale 1" = 100' Date 12-17-2013 Revisd

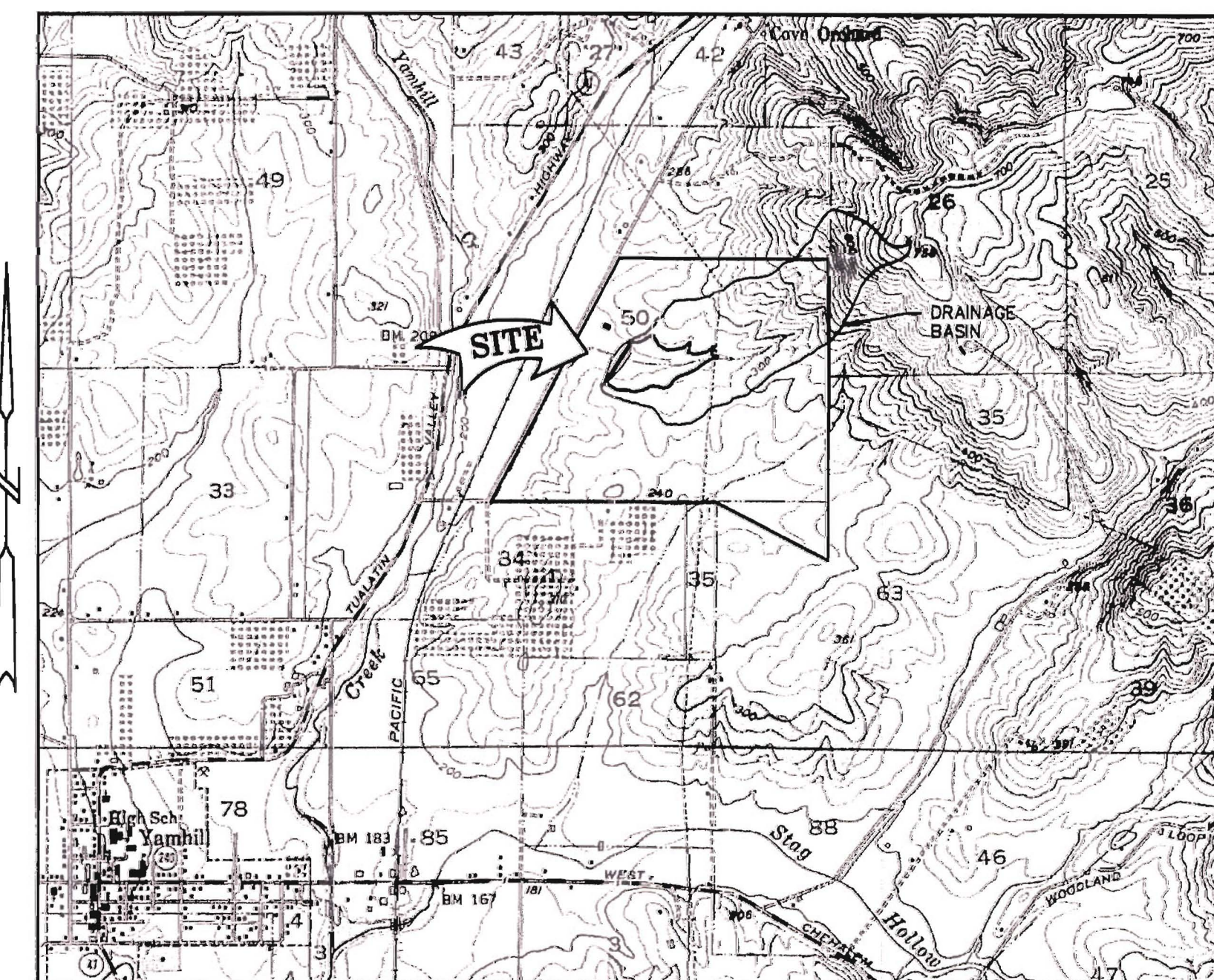
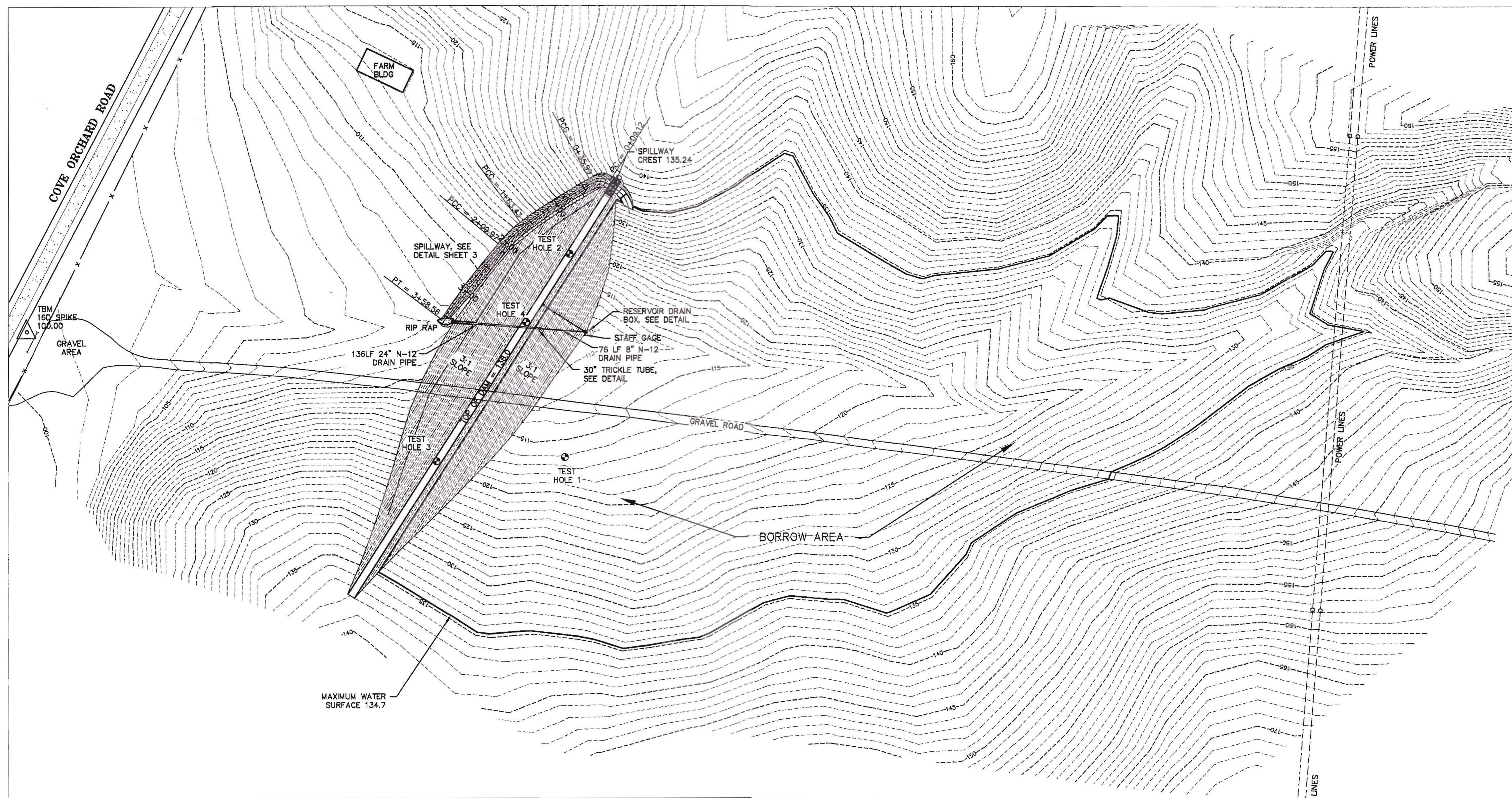
Design CFB Boatwright Engineering, Inc. Job No. 13/28

Drawn CFB, PhD 2613 12th Street SE, SALEM, OREGON 97302 Sheet

Chkd CFB TEL (503) 363-9725 • FAX (503) 363-1251 3 of 3

EXPIRES 12/31/15



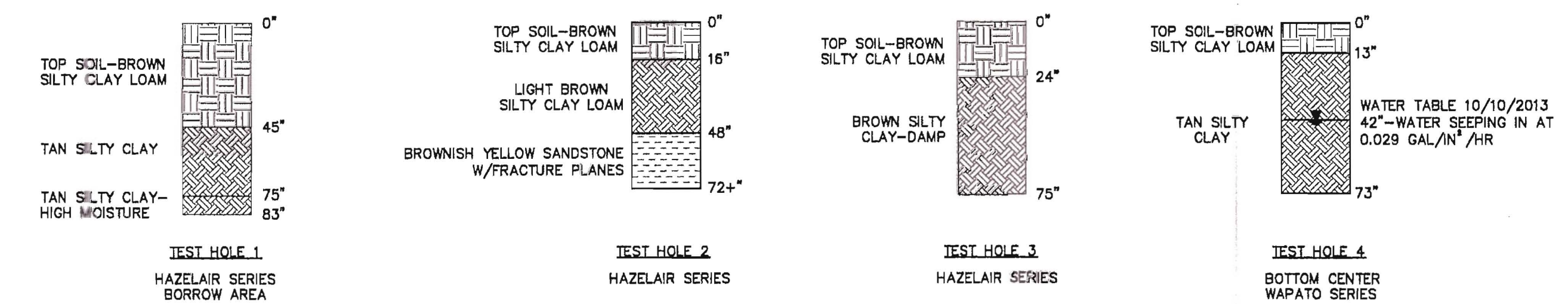
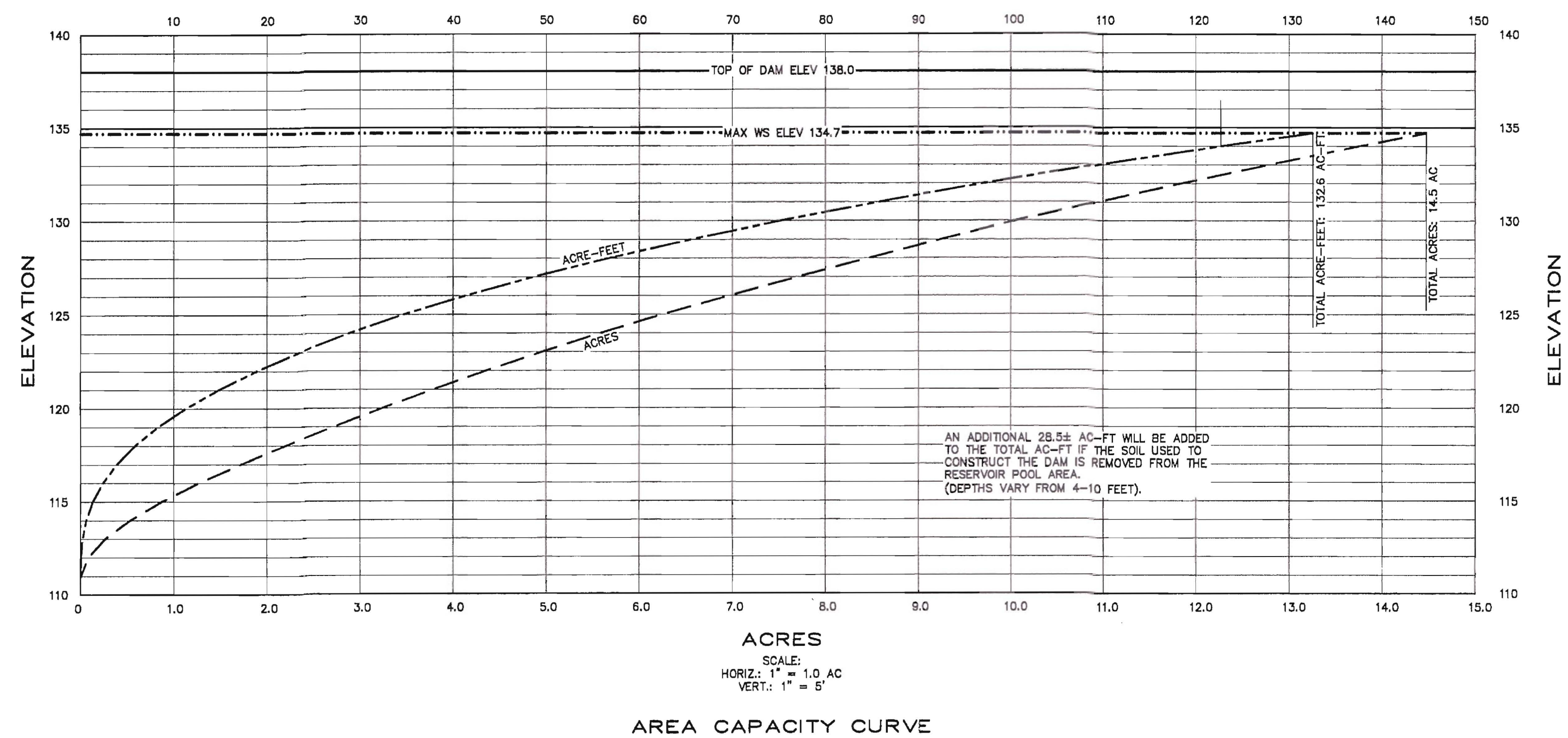


DRAINAGE BASIN 0.204 SQ MI  
 100-YEAR STORM RATE = 28.0 CFS

POINT OF DIVERSION IS 3206' SOUTH AND 2887' WEST OF THE NE CORNER JOHN J BURTON DLC 50.

VICINITY MAP  
 SCALE 1" = 2000'

ACRE-FEET PRELIMINARY SITE PLAN  
 SCALE: HORIZ: 1" = 10 ACFT VERT: 1" = 5'  
 SCALE 1" = 100'

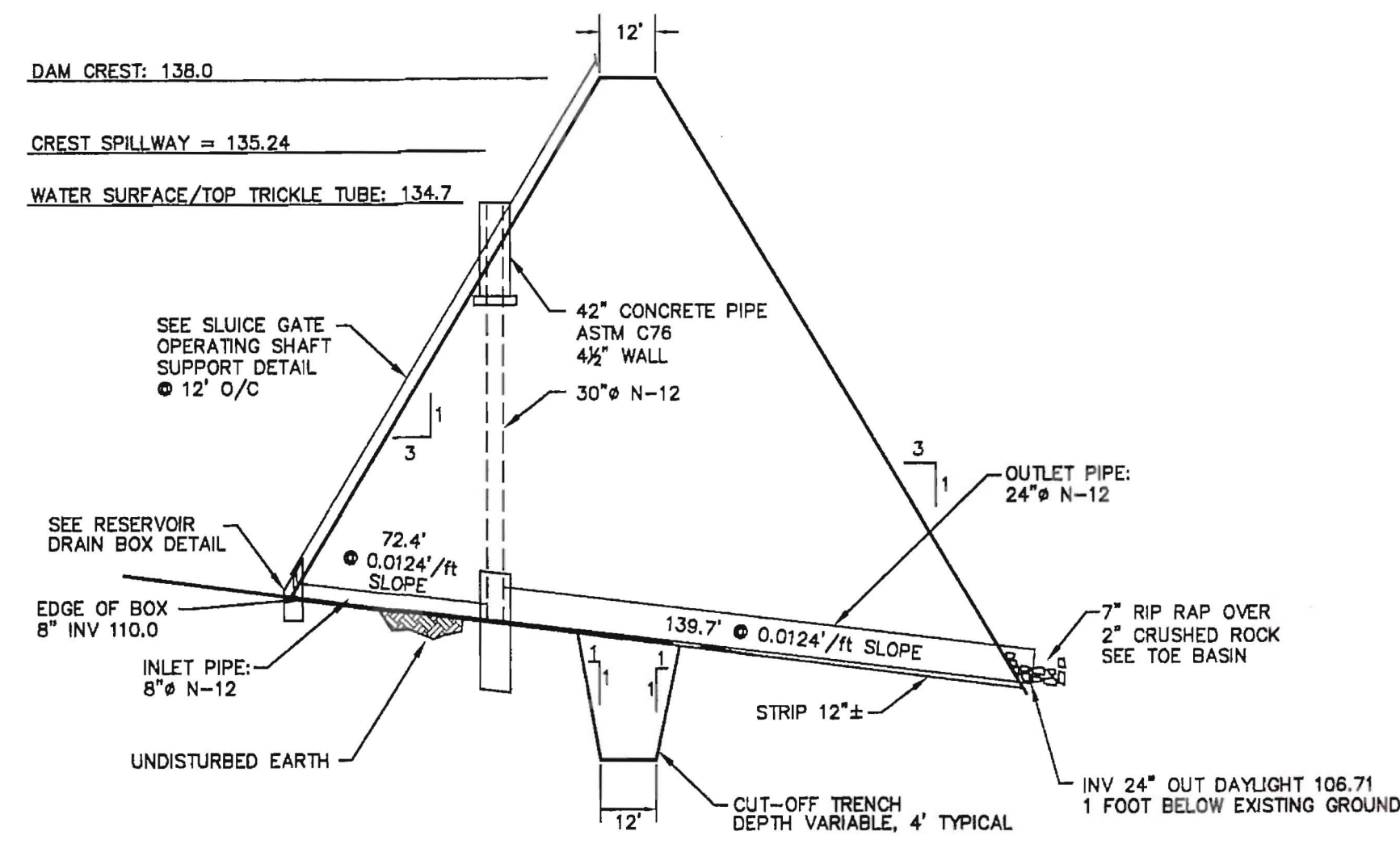


RECEIVED  
 JAN 09 2014  
 WATER RESOURCES DEPT  
 SALEM, OREGON

	<b>Yamhill Farm Dam</b>			
	Carl Jensen Cove Orchard Rd			YAMHILL COUNTY, OREGON
	Scale: 1" = 100'	Date: 12-17-2013		Revised:
	Design: CFB Drawn: CFB, PHD Chkd: CFB	<b>Boatwright Engineering, Inc.</b> 2613 12th Street SE, SALEM, OREGON 97302 TEL: (503) 363-9225 • FAX: (503) 363-1051		
Expires 12/31/15		Job No. 13/28 Sheet	1 of 3	

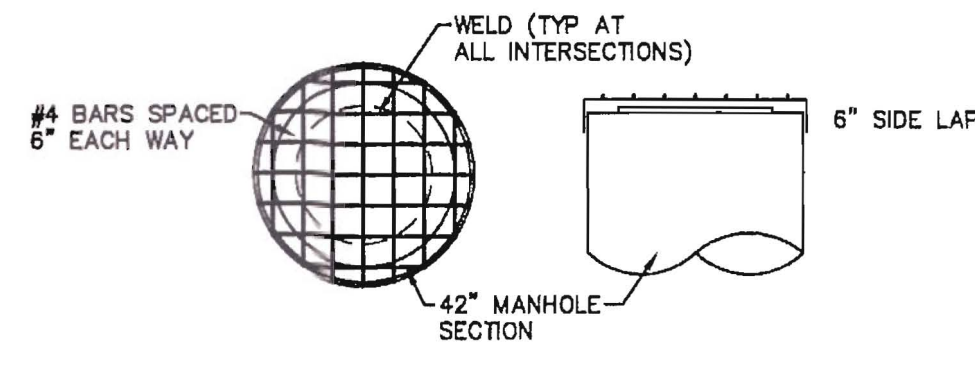
J:\jensen Carl\Yam.DWG





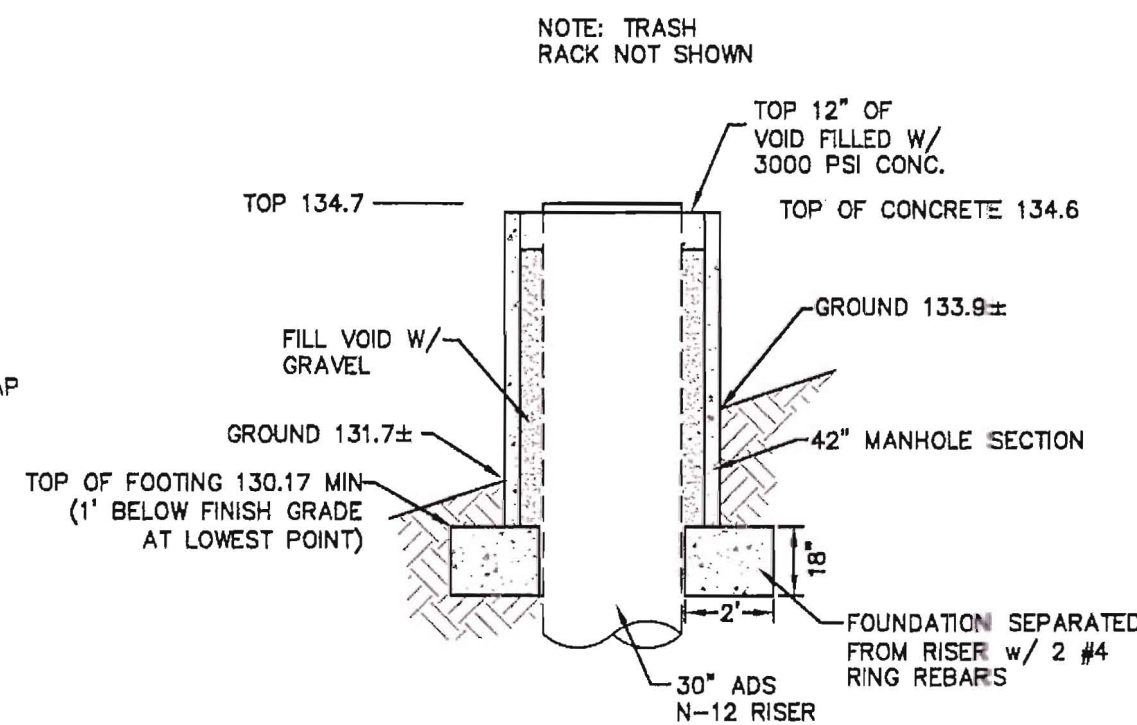
**TYPICAL DAM SECTION**

NOT TO SCALE



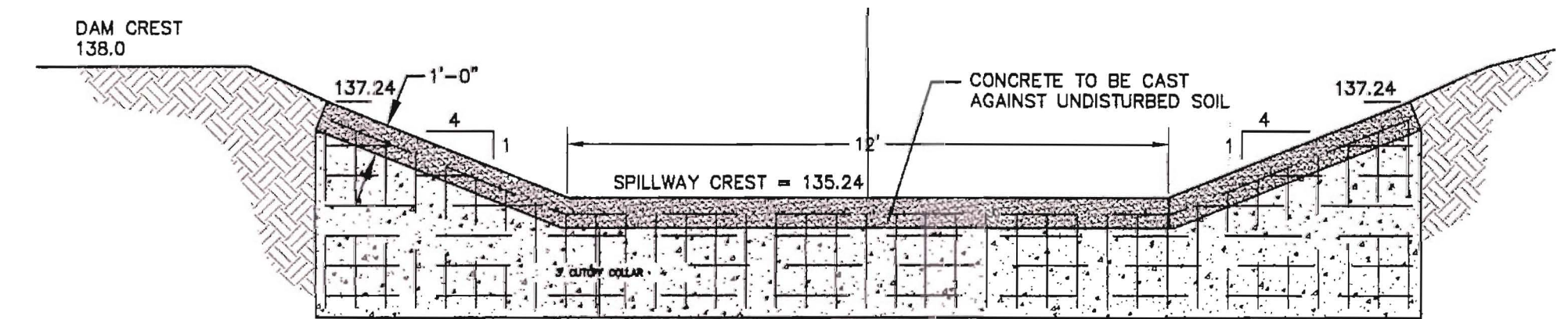
**TRICKLE TUBE & TRASH RACK DETAIL**

NOT TO SCALE



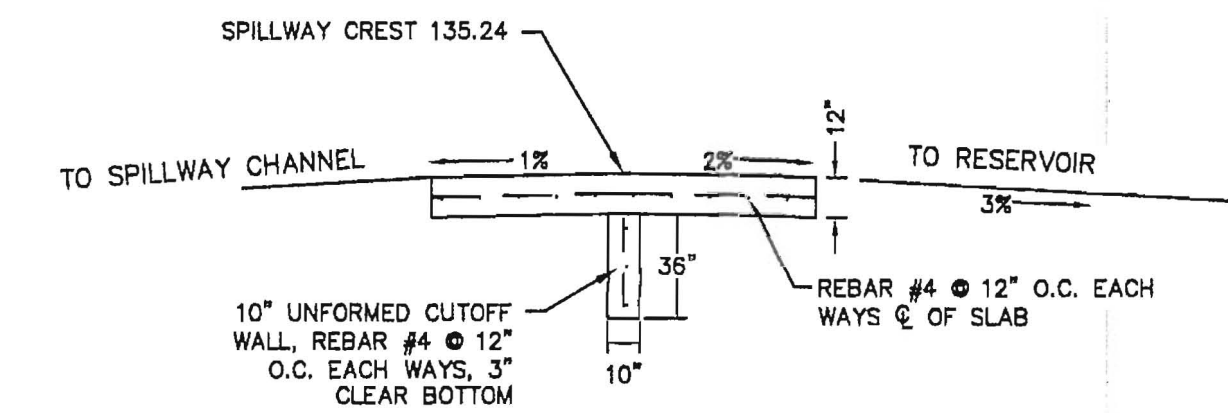
**TRICKLE TUBE DETAIL**

NOT TO SCALE



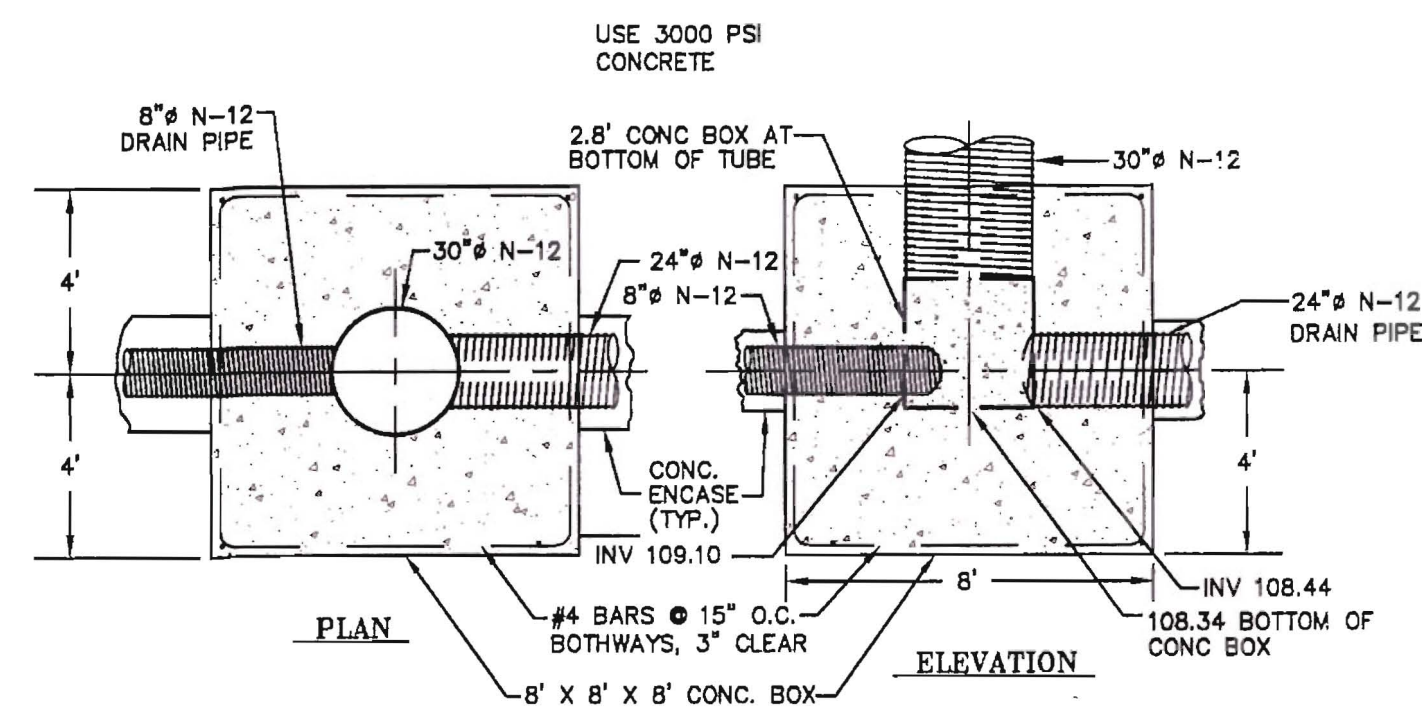
**SPILLWAY CREST DETAIL**

NOT TO SCALE



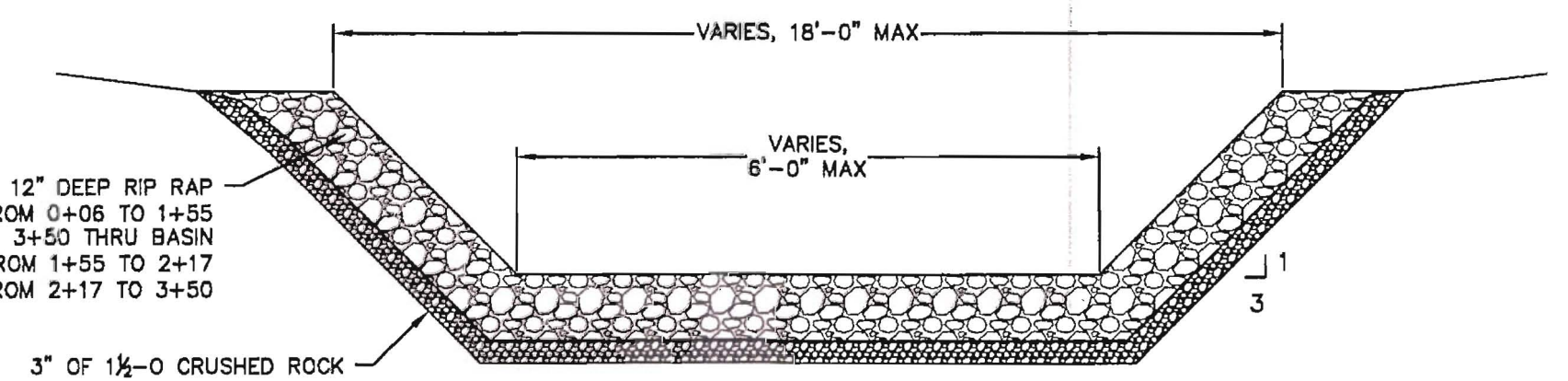
**SPILLWAY SECTION**

NOT TO SCALE



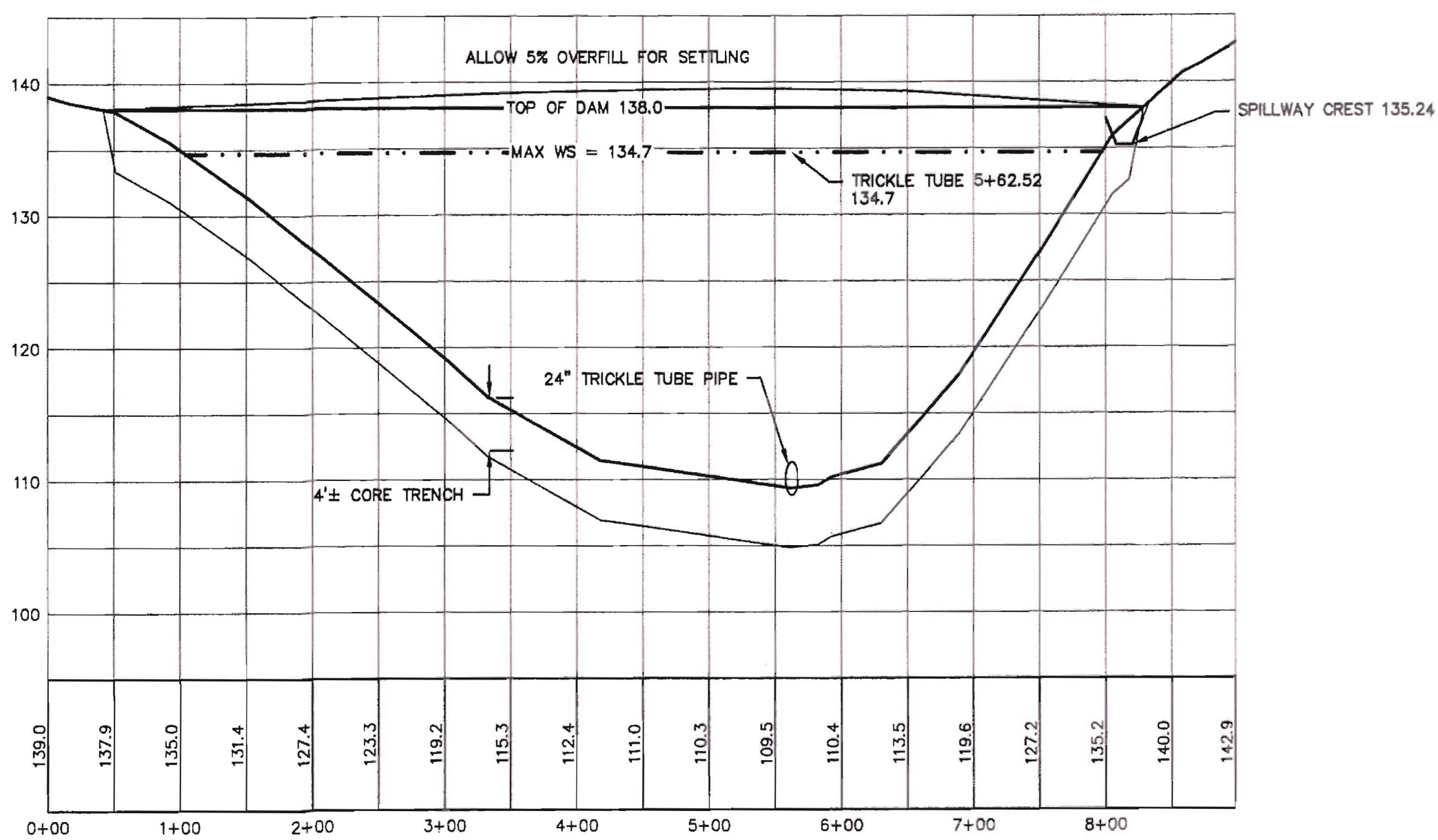
**TRICKLE TUBE BASE DETAIL**

NOT TO SCALE



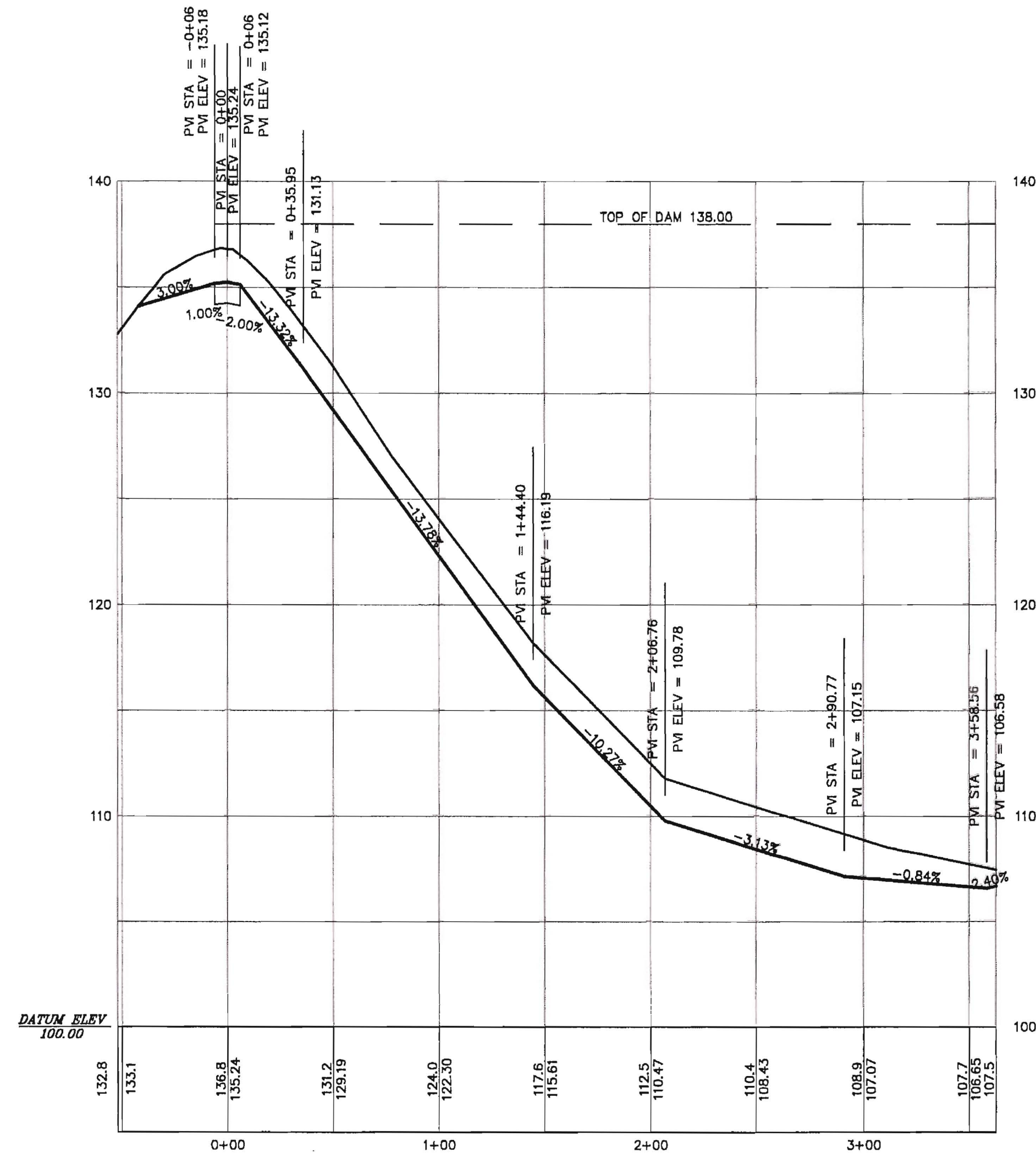
**TYPICAL RIP RAP CHANNEL SECTION**

NOT TO SCALE



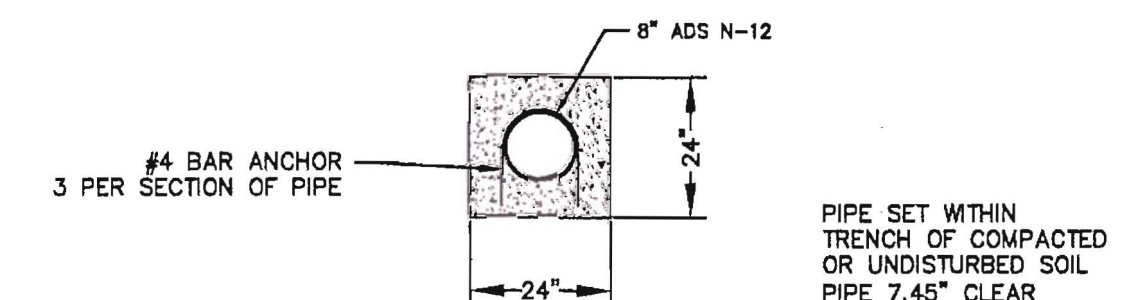
**DAM PROFILE**

SCALE:  
HORIZ: 1" = 100'  
VERT: 1" = 10'



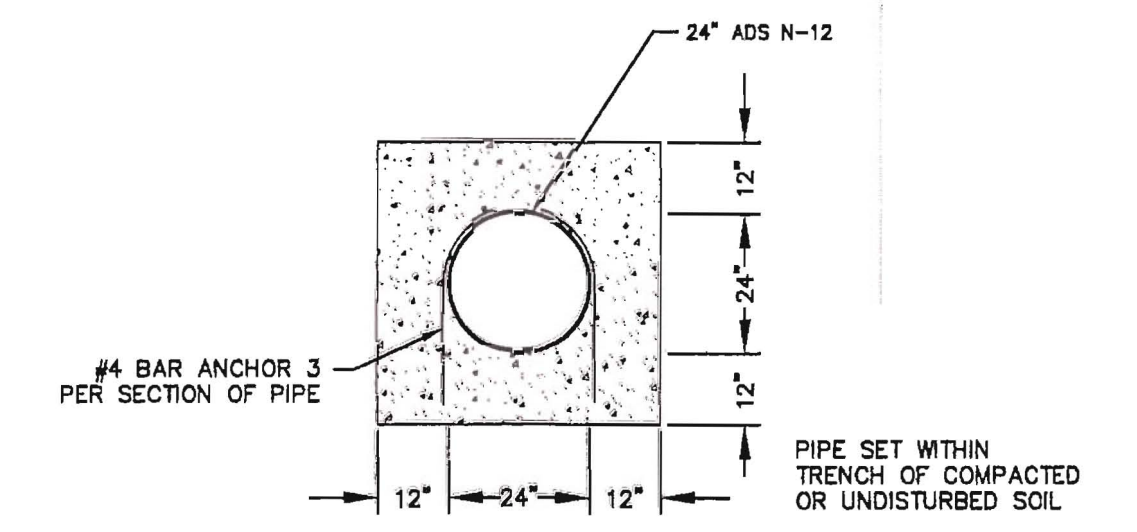
**SPILLWAY PROFILE**

SCALE:  
HORIZ: 1" = 100'  
VERT: 1" = 5'



**8" DRAIN CONCRETE ENCASMENT DETAIL**  
LENGTH = 73'±

NOT TO SCALE

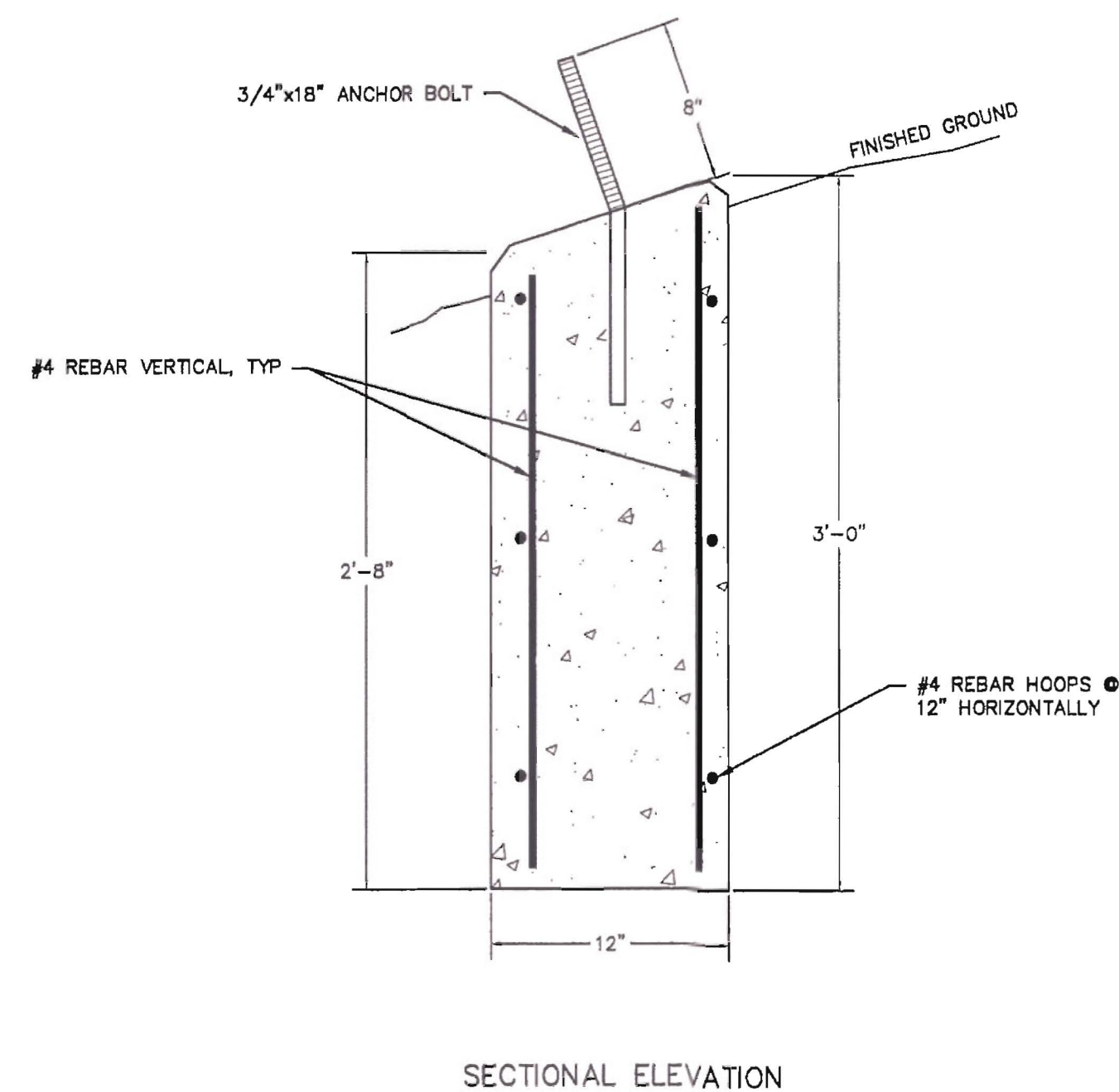
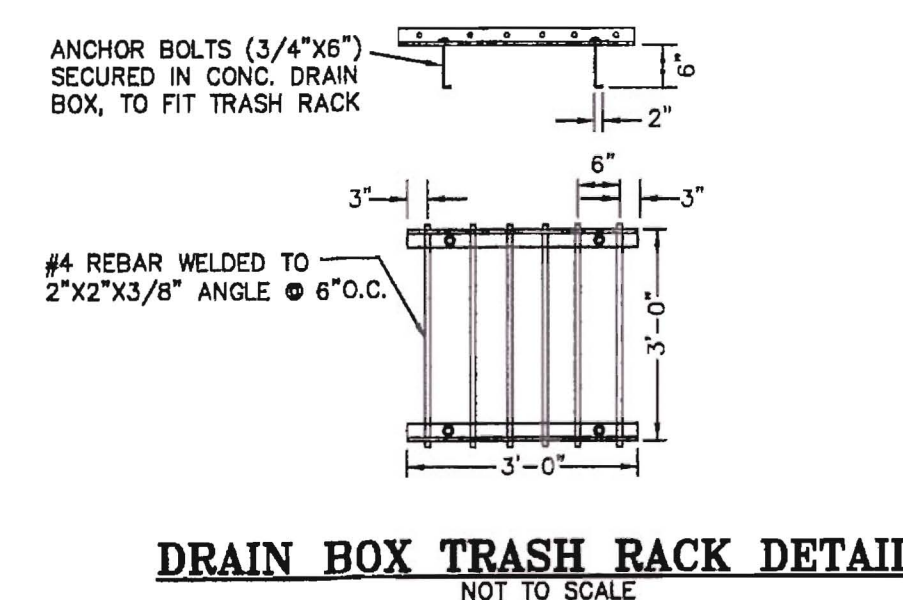
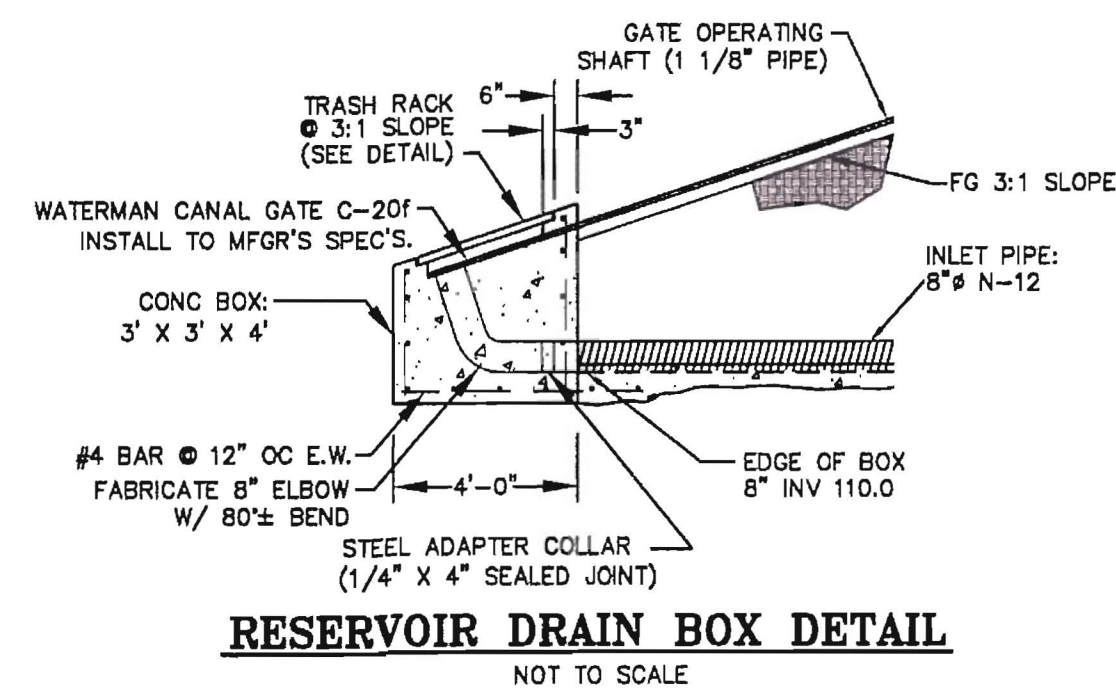
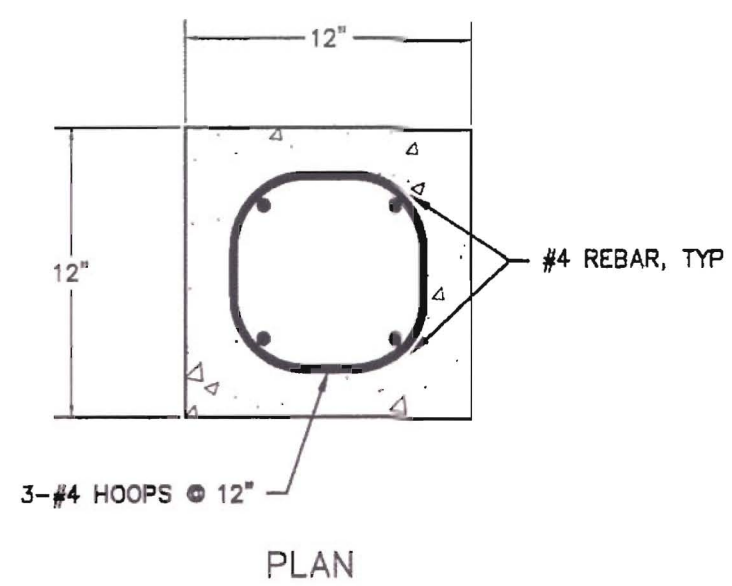
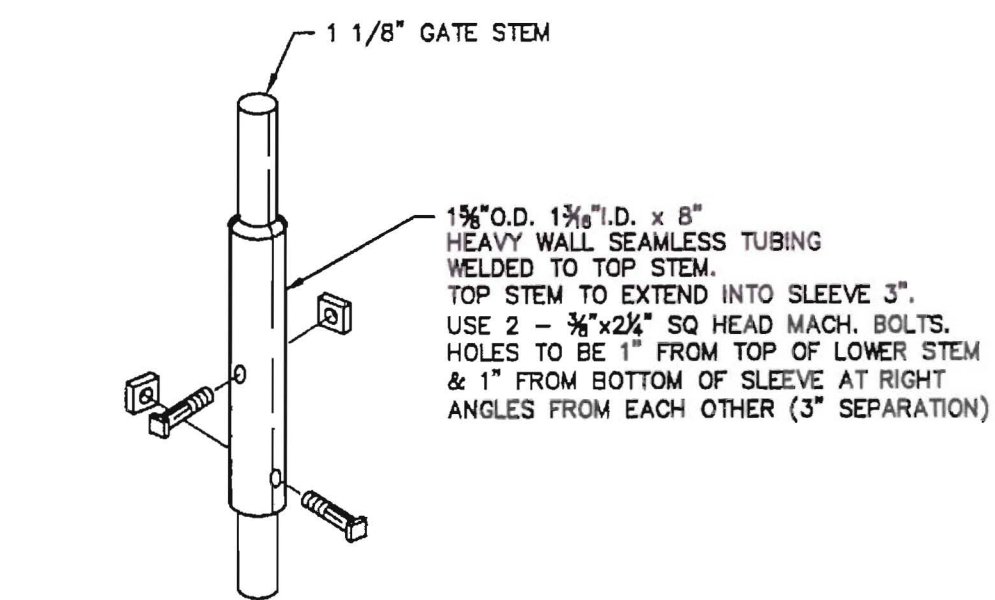
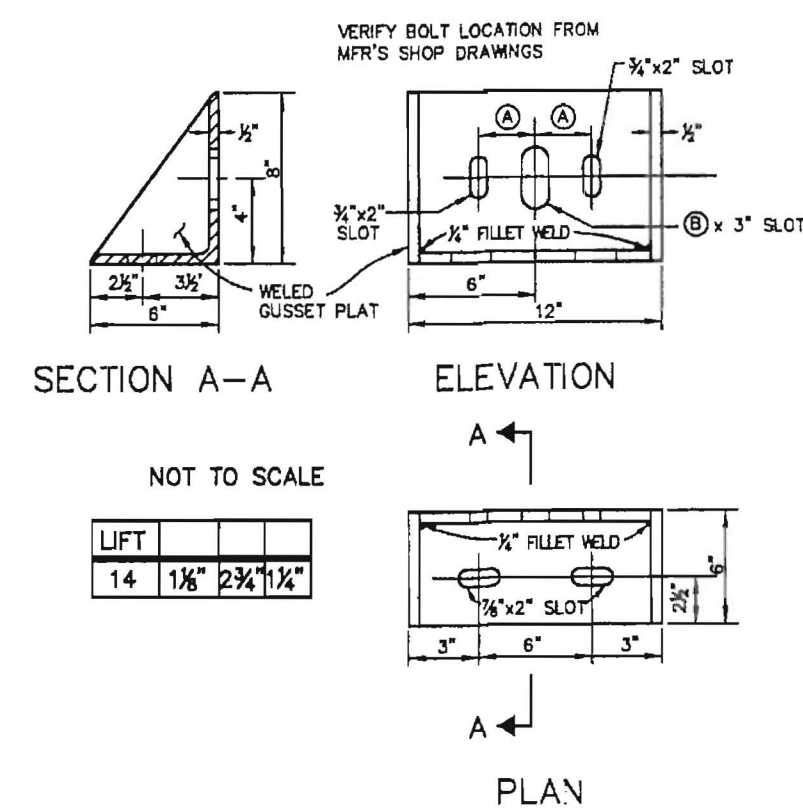
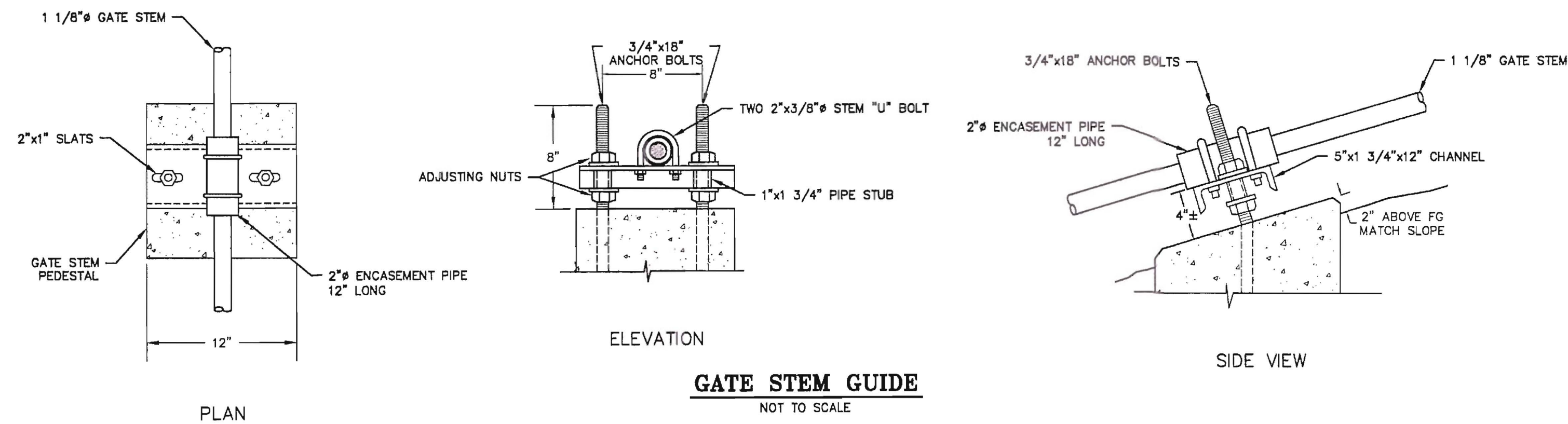


**OVERFLOW DRAIN CONCRETE ENCASMENT DETAIL UNDER DAM ONLY**  
LENGTH = 133'±

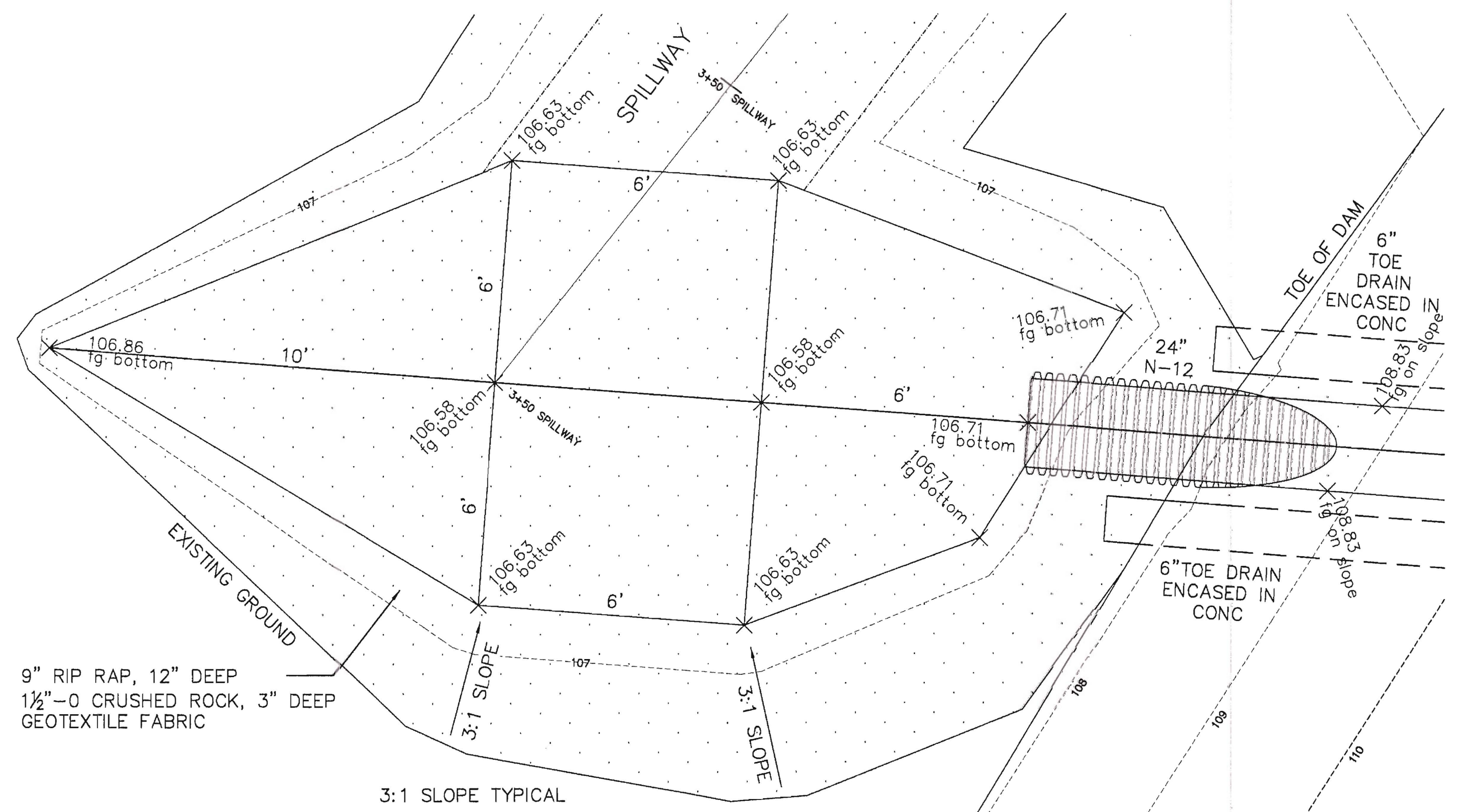
NOT TO SCALE

**RECEIVED**  
JAN 09 2014  
WATER RESOURCES DEPT  
SALEM, OREGON

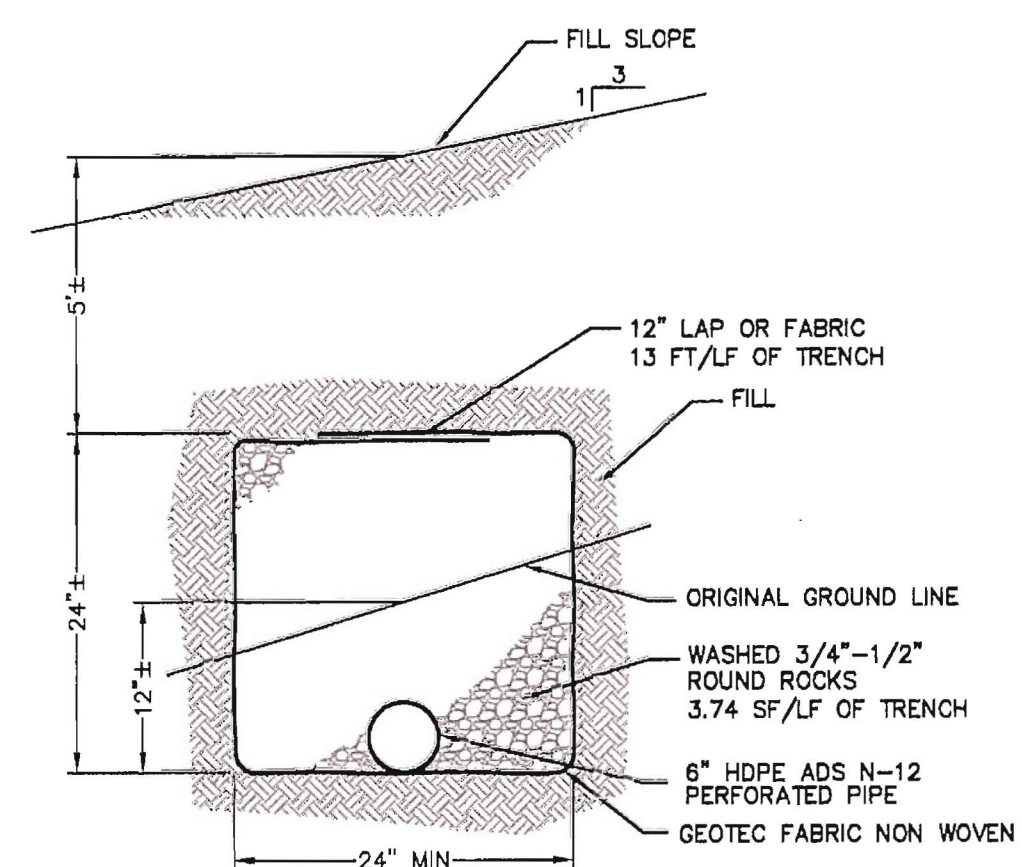
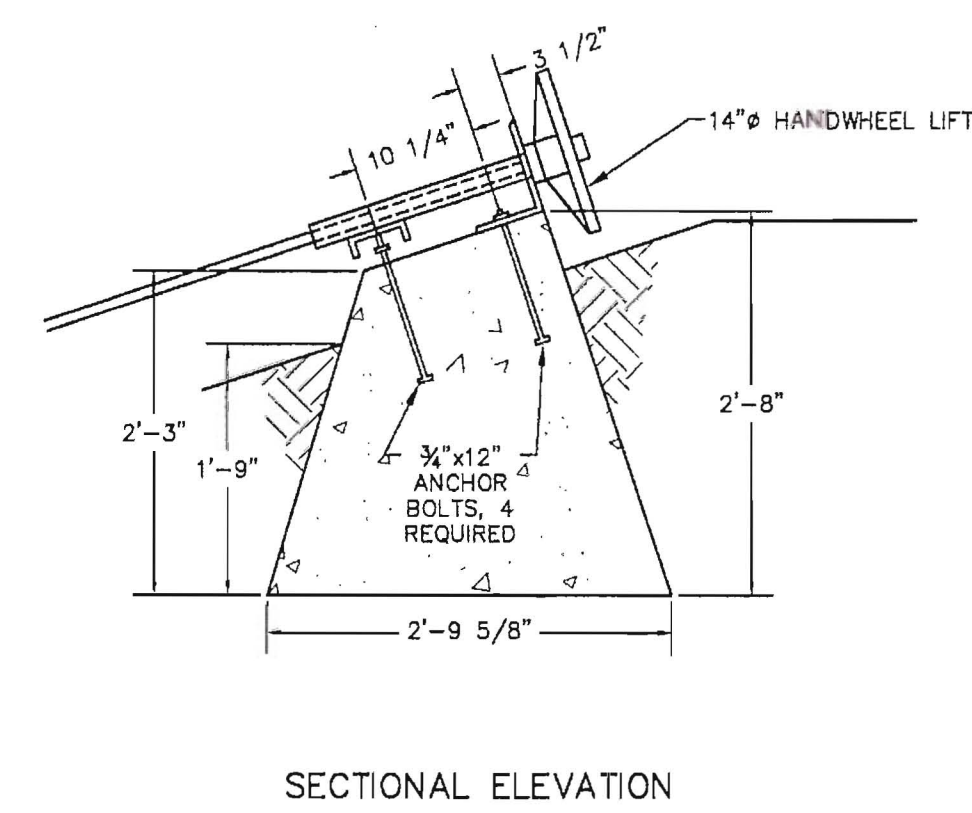
	<b>Yamhill Farm Dam</b>		
	Carl Jensen Cove Orchard Rd YAMHILL COUNTY, OREGON		
Scale: AS SHOWN Design: CFB Drawn: CFB, PHD Chkd: CFB	Date: 12-17-2013 2613 12th Street SE, SALEM, OREGON 97302 TEL: (503) 363-9225 • FAX: (503) 363-1051	Revised: Job No. 13/28 Sheet	EXPIRES 12/31/15 2 of 3



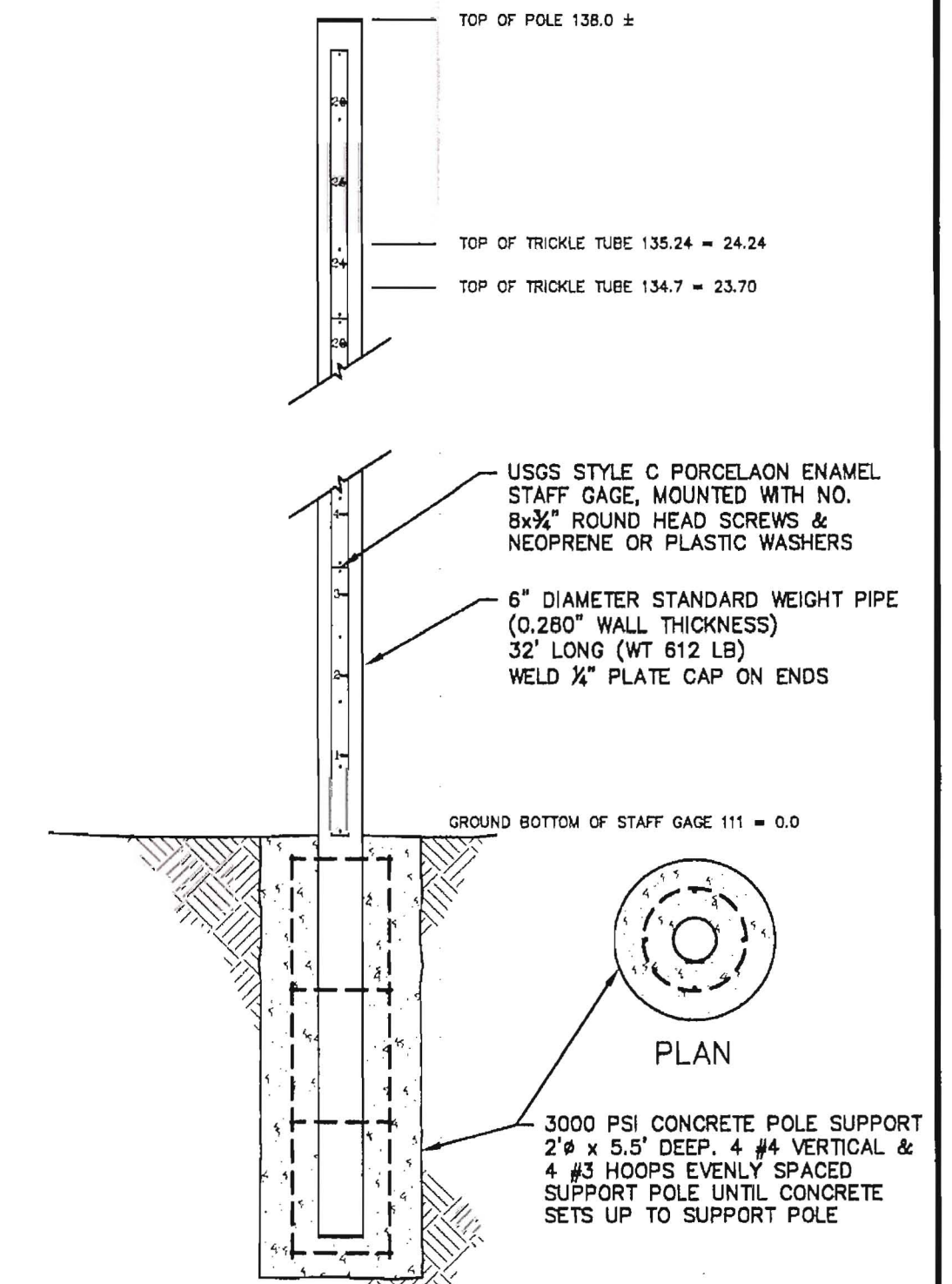
**GATE STEM PEDESTAL @ 10' MAX O.C.**  
NOT TO SCALE



**SPILLWAY-DRAIN OUTLET BASIN DETAIL**  
SCALE 1" = 20'



**TOE DRAIN DETAIL**  
NOT TO SCALE



**STAFF GAGE DETAIL**  
SCALE 1" = 2'

- NOTES:
- CONTRACTOR TO VERIFY FIELD INFORMATION PRIOR TO CONSTRUCTION.
  - CONCRETE  $f_c$  SHALL BE 3000 PSI.

ASSUMED DATUM

**Yamhill Farm Dam**  
Carl Jensen  
Cove Orchard Rd  
YAMHILL COUNTY, OREGON

Scale: 1" = 100' Date: 01-06-2014 Revised:

Design: CFB  
Drawn: CFB, PHD  
Chkd: CFB

Boatwright Engineering, Inc.  
2613 12th Street SE, SALEM, OREGON 97302  
TEL: (503) 363-9225 • FAX: (503) 363-1051

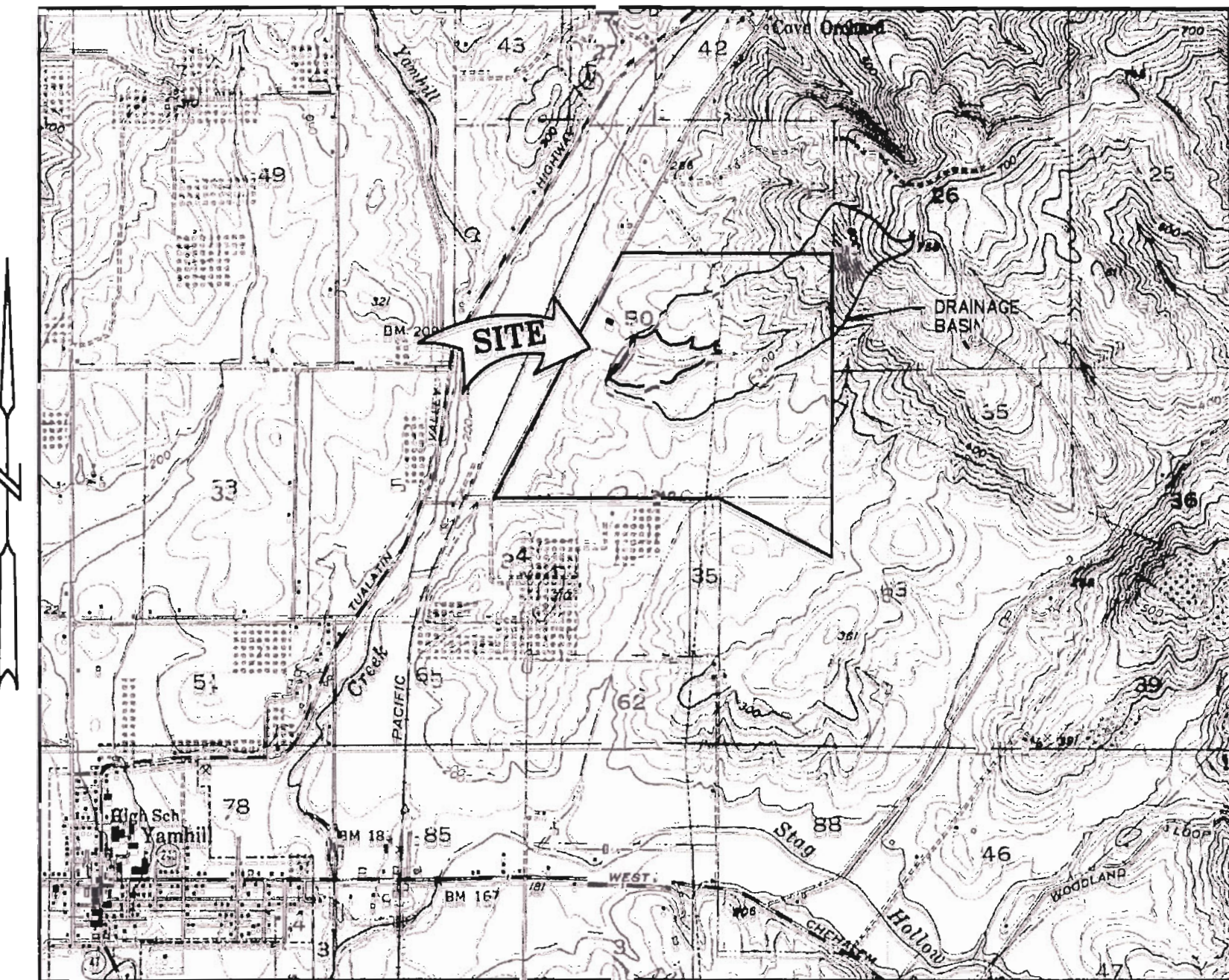
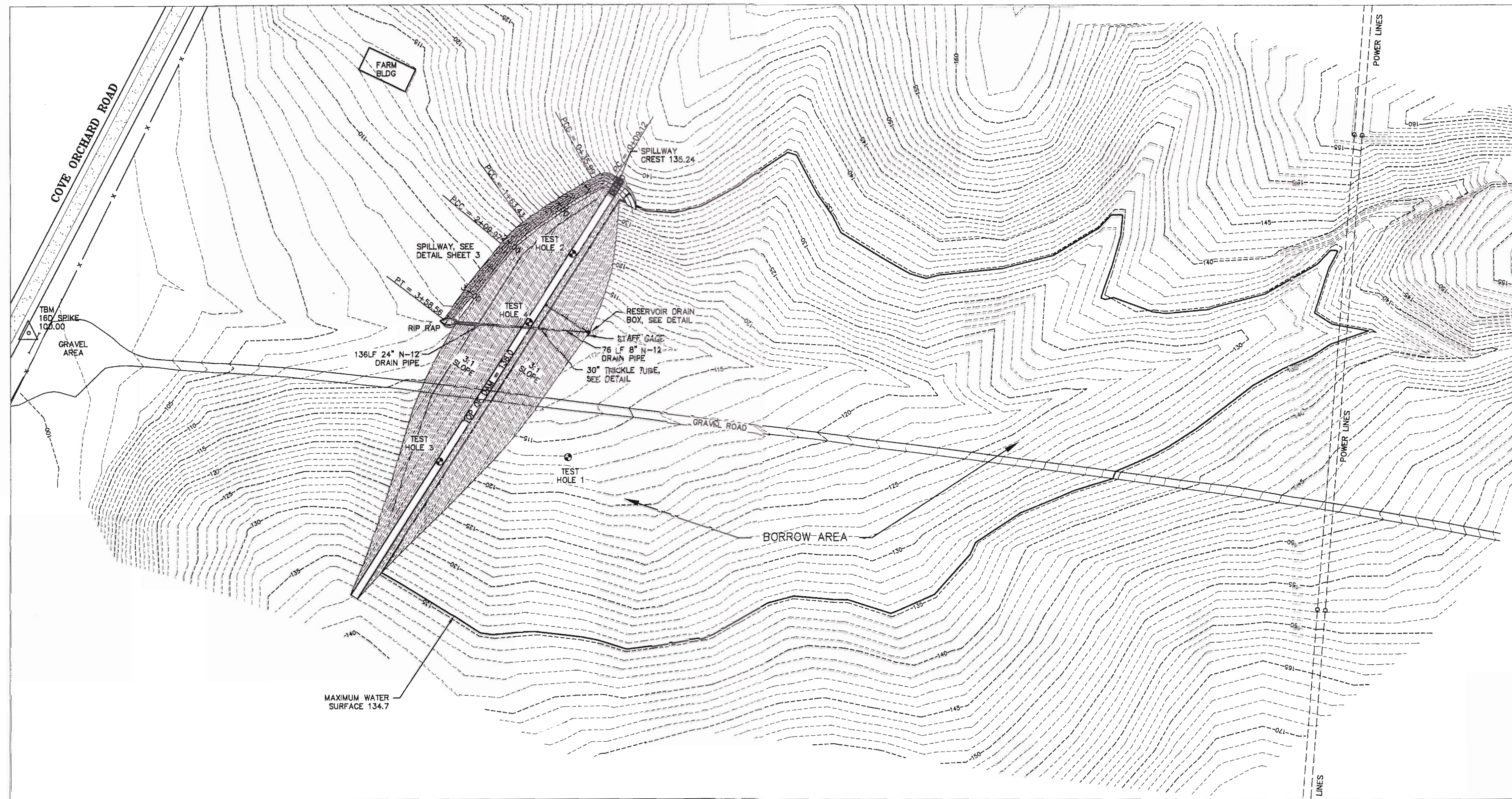
Job No. 13/28  
Sheet  
3 of 3

EXPIRES 12/31/15

REGISTERED PROFESSIONAL ENGINEER  
19,884  
Cody Boatwright  
04/28/06  
OREGON CONTRACTOR BOATWRIGHT

**RECEIVED**  
JAN 09 2014  
WATER RESOURCES DEPT  
SALEM, OREGON

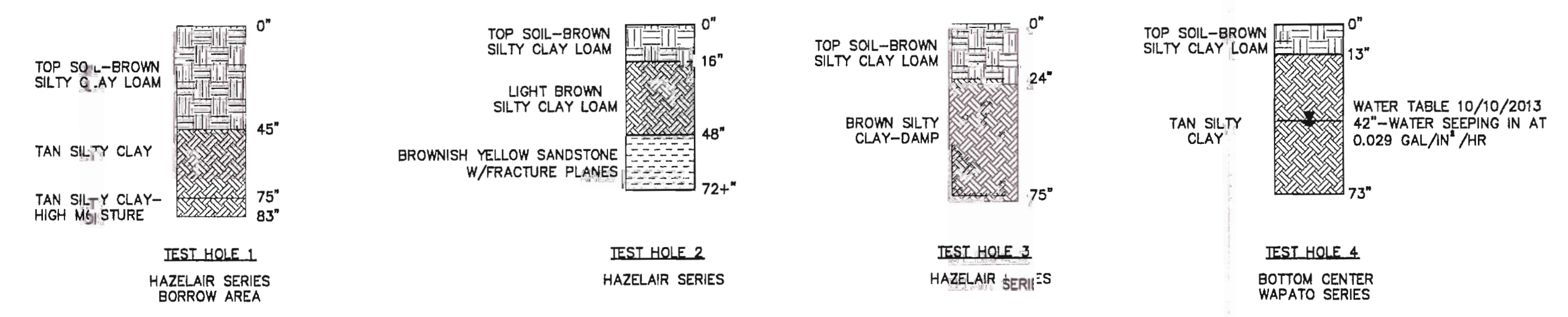
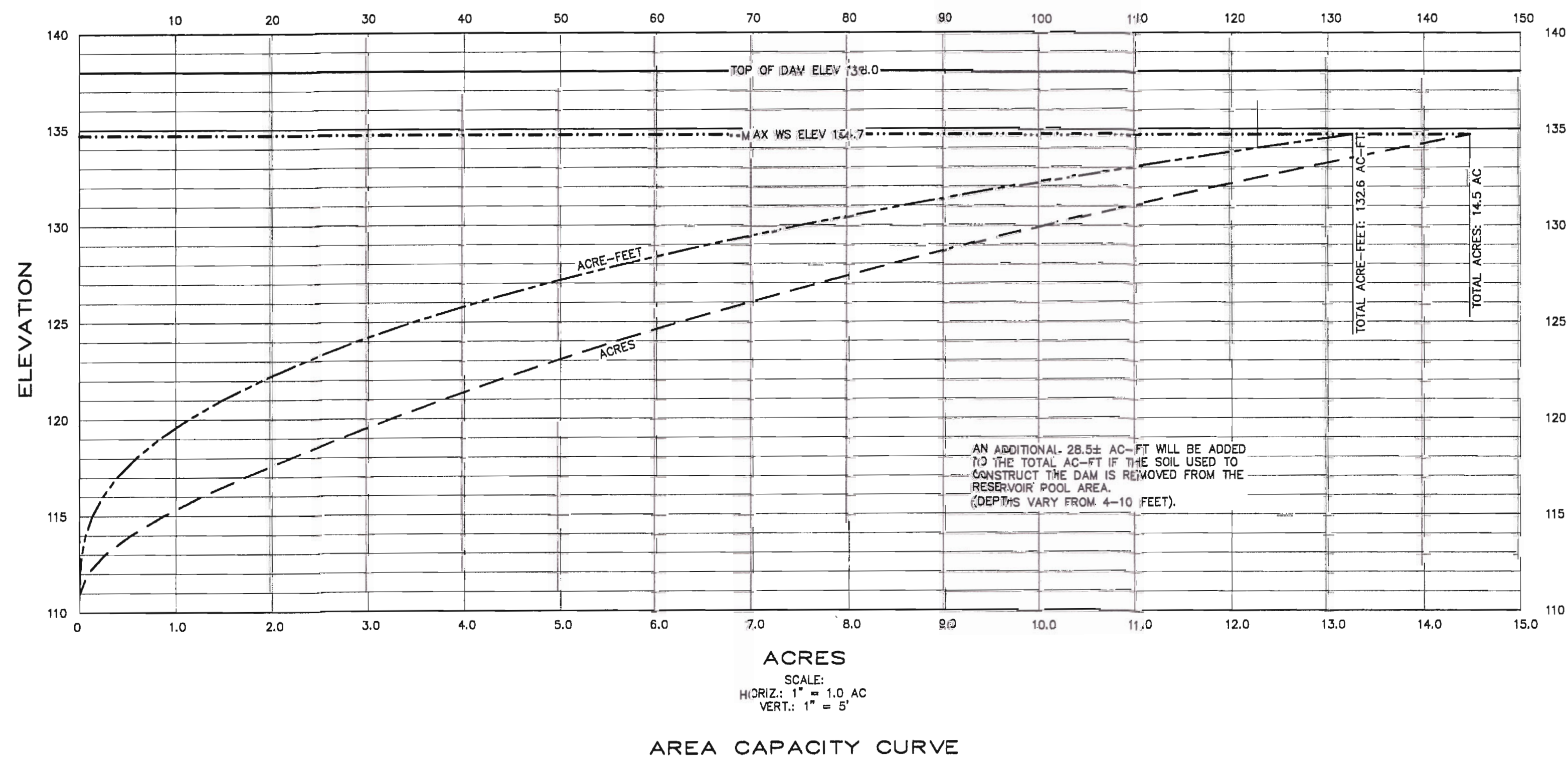
Jensen Carl Dam.DWG



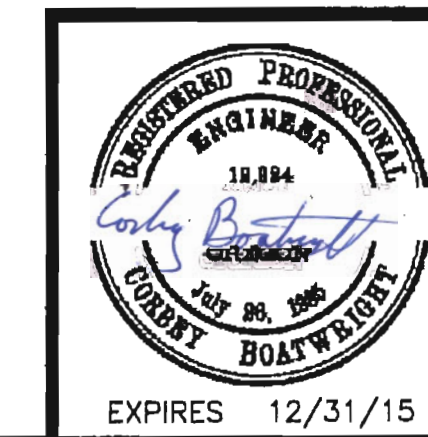
DRAINAGE BASIN 0.204 SQ MI  
 1<sub>yr</sub>-YEAR STORM RATE = 28.0 CFS  
 POINT OF DIVERSION IS 3206' SOUTH AND 2887'  
 WEST OF THE NE CORNER JOHN J BURTON DLC 50.

**ACRE-FEET**  
 SCALE:  
 HORIZ.: 1" = 10 ACFT  
 VERT.: 1" = 5'

**PRELIMINARY SITE PLAN**  
 SCALE: 1" = 100'



**RECEIVED**  
 JAN 09 2014  
 WATER RESOURCES DEPT  
 SALEM, OREGON

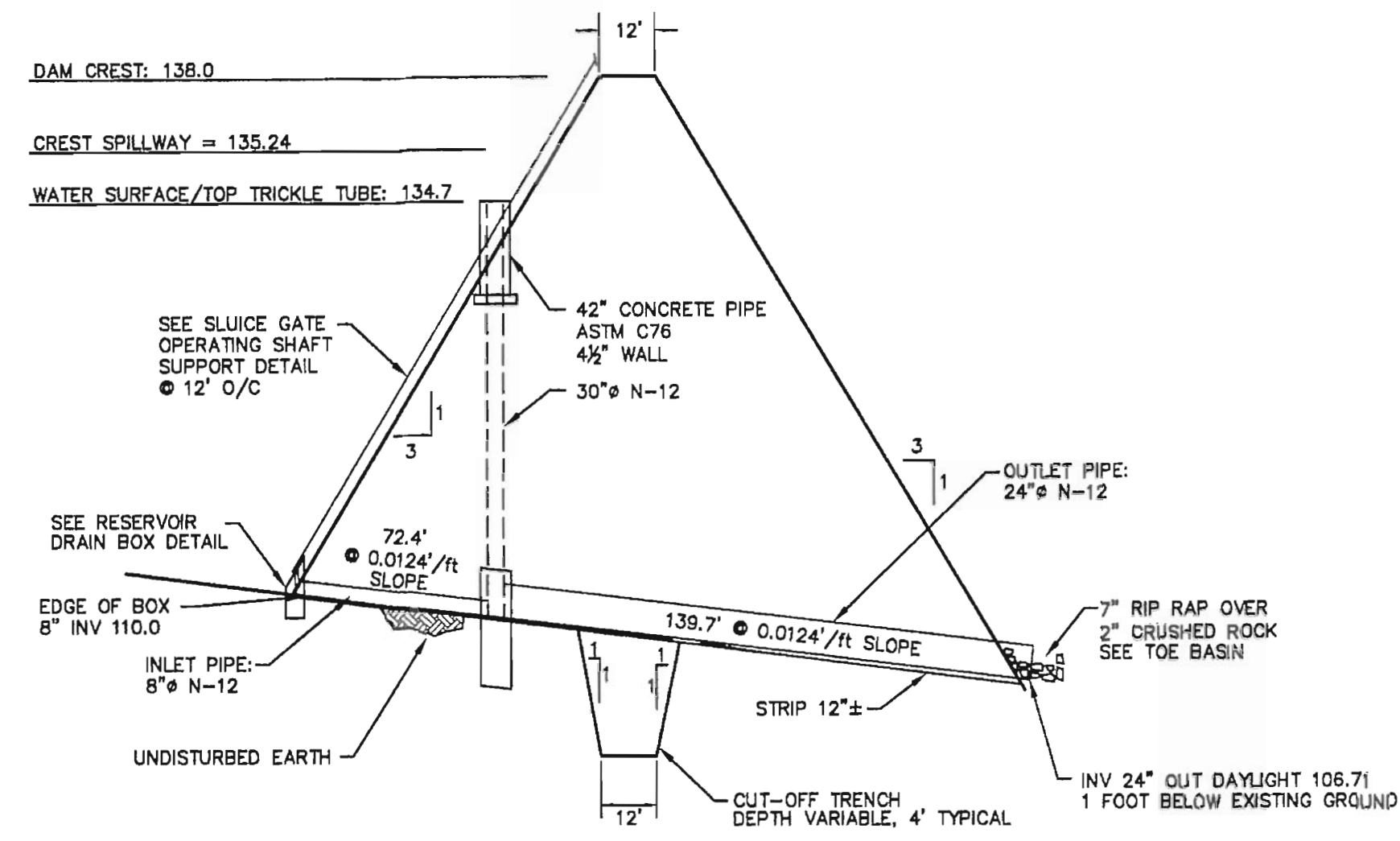


**Yamhill Farm Dam**  
 Carl Jensen  
 Cove Orchard Rd  
 YAMHILL COUNTY, OREGON

Scale: 1" = 100'	Date: 12-17-2013	Revised:
Design: CFB	Boatwright Engineering, Inc.	Job No. 13/28
Drawn: CFB, PHD	2613 12th Street SE, SALEM, OREGON 97302	Sheet
Chkd: CFB	TEL (503) 363-9225 • FAX (503) 363-1051	1 of 3

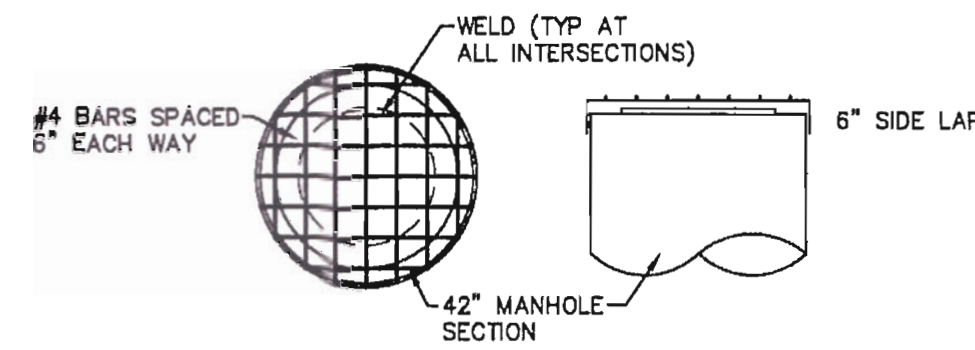


Jensen\_Carl\Dam.DWG



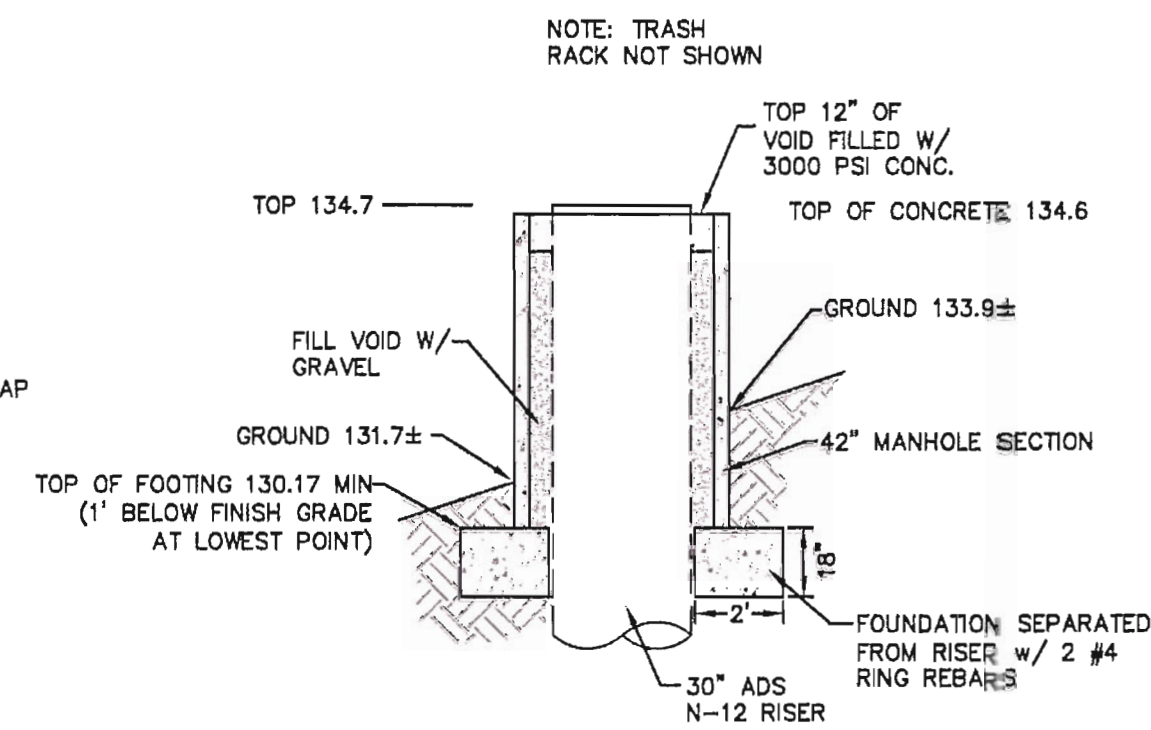
**TYPICAL DAM SECTION**

NOT TO SCALE



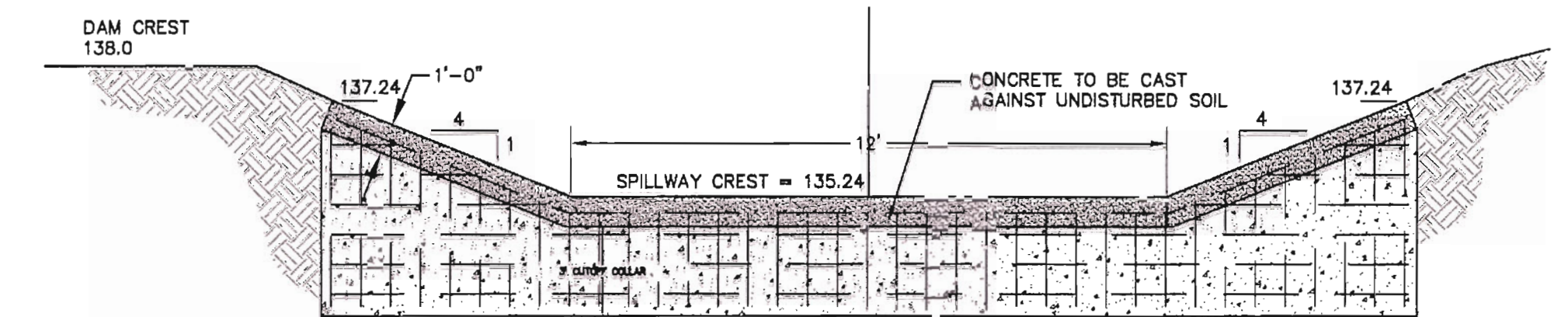
**TRICKLE TUBE & TRASH RACK DETAIL**

NOT TO SCALE



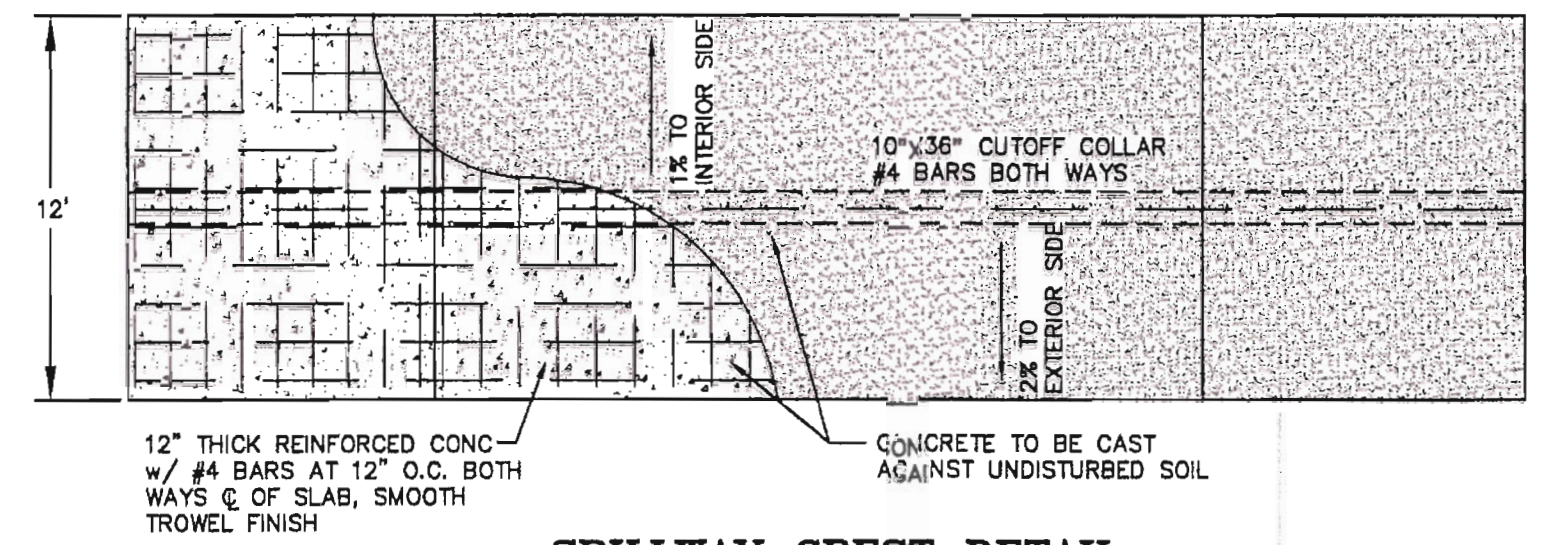
**TRICKLE TUBE DETAIL**

NOT TO SCALE



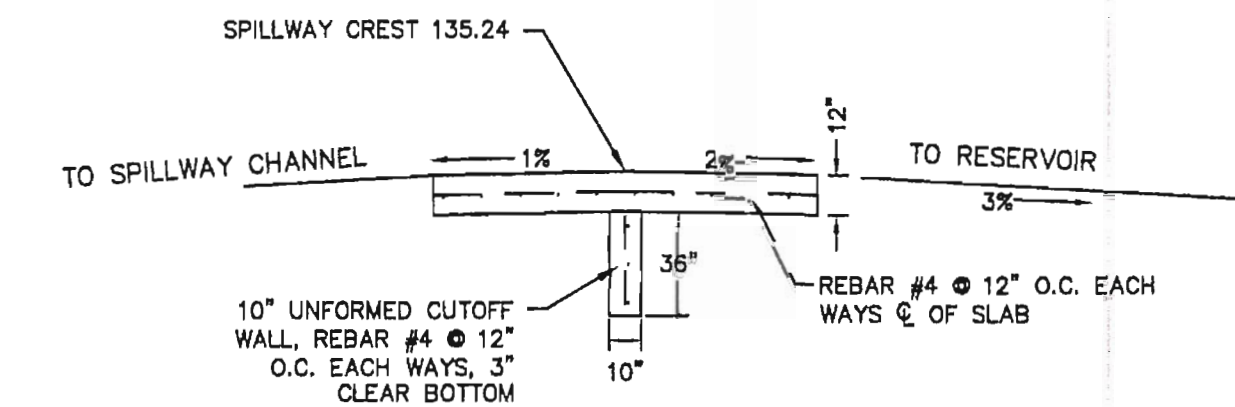
**SPILLWAY CREST DETAIL**

NOT TO SCALE



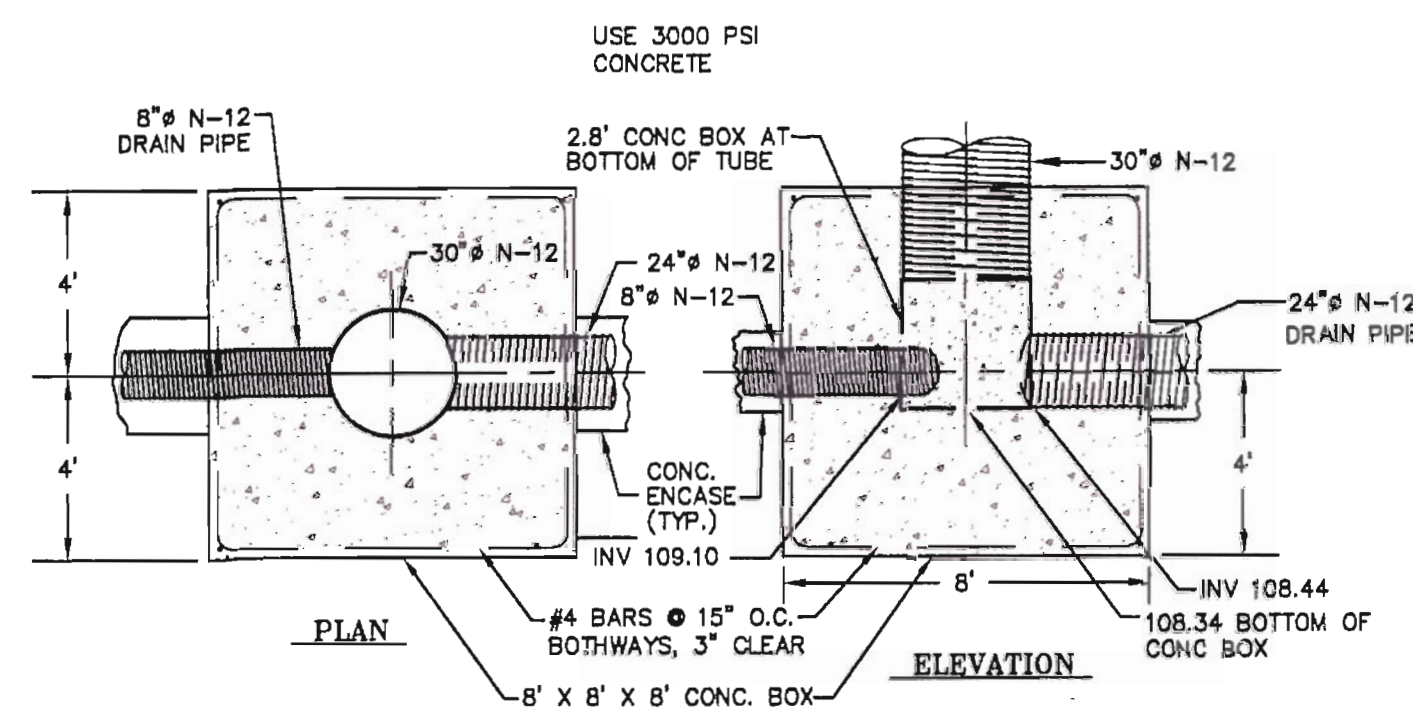
**SPILLWAY SECTION**

NOT TO SCALE



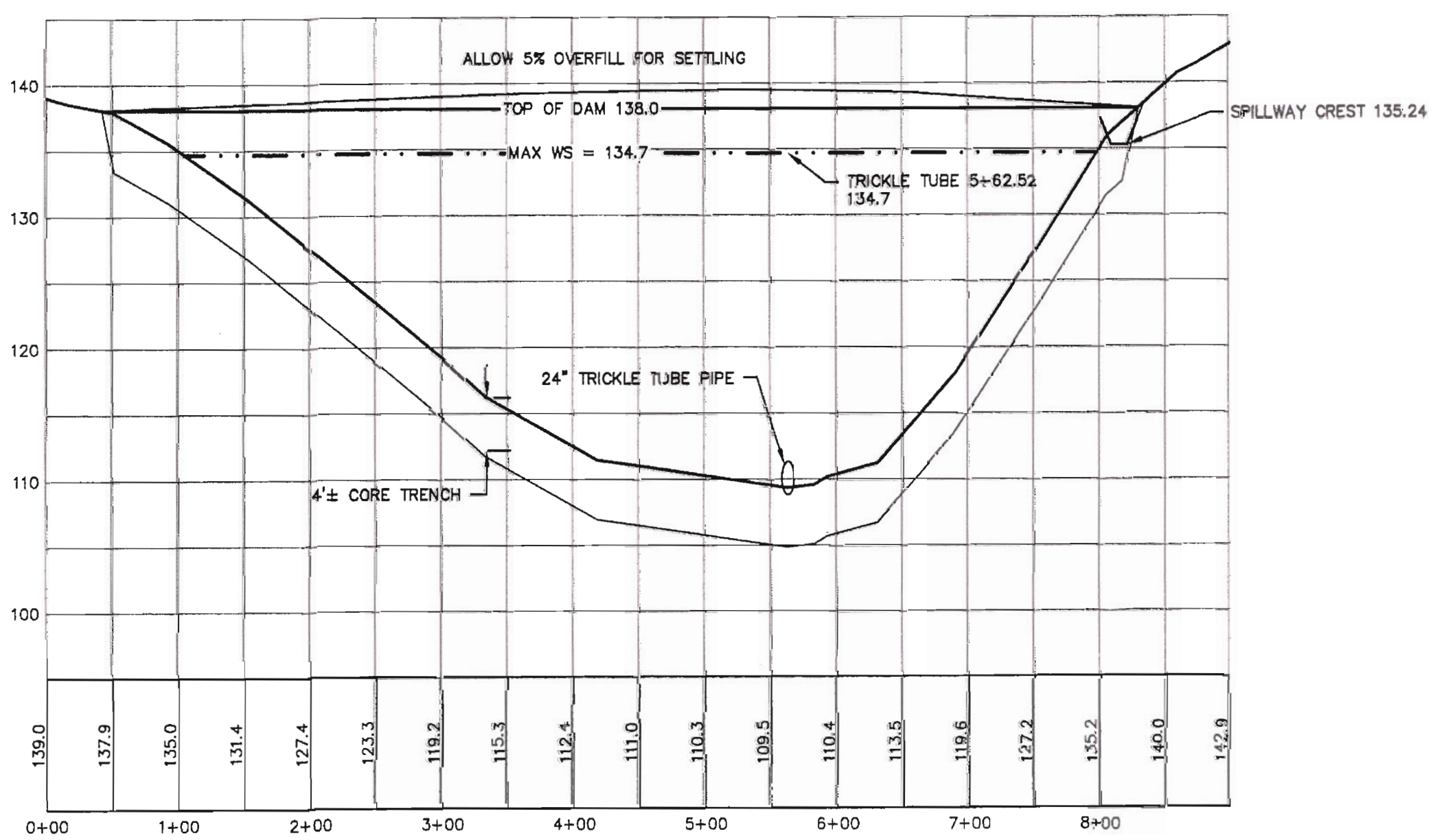
**TYPICAL RIP RAP CHANNEL SECTION**

NOT TO SCALE



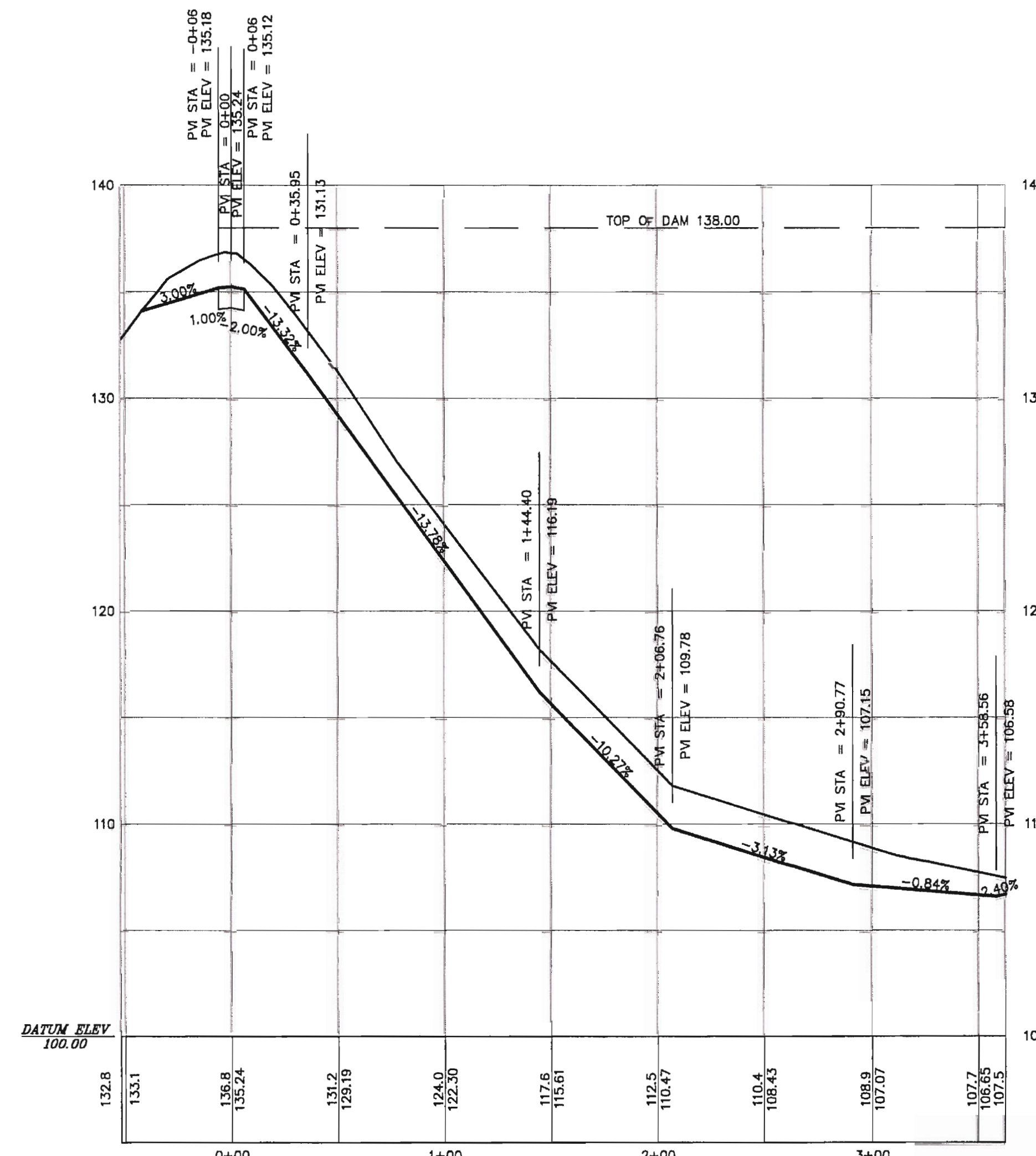
**TRICKLE TUBE BASE DETAIL**

NOT TO SCALE



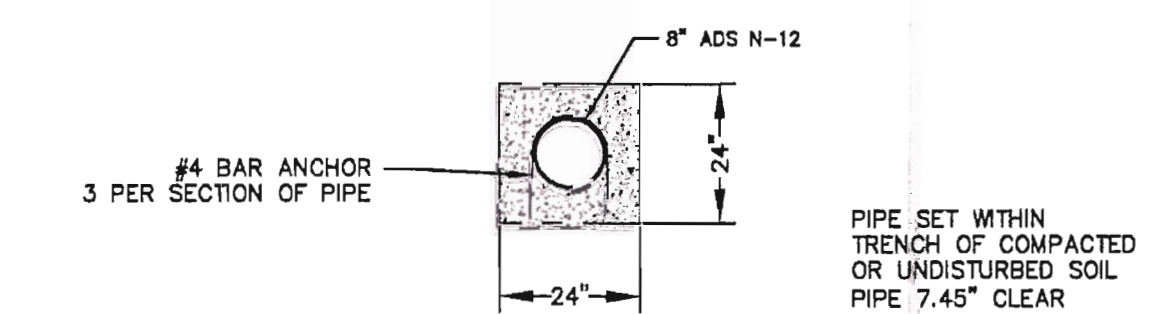
**DAM PROFILE**

SCALE:  
HORIZ.: 1" = 100'  
VERT.: 1" = 10'



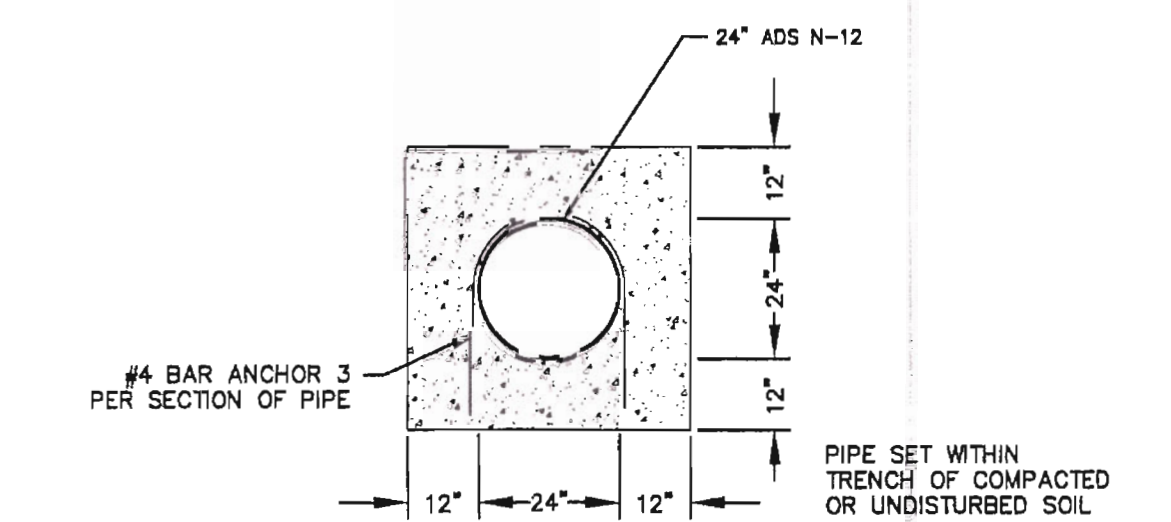
**SPILLWAY PROFILE**

SCALE:  
HORIZ.: 1" = 100'  
VERT.: 1" = 5'



**8" DRAIN CONCRETE ENCASMENT DETAIL**  
LENGTH = 73'±

NOT TO SCALE



**OVERFLOW DRAIN CONCRETE ENCASMENT DETAIL UNDER DAM ONLY**  
LENGTH = 133'±

NOT TO SCALE

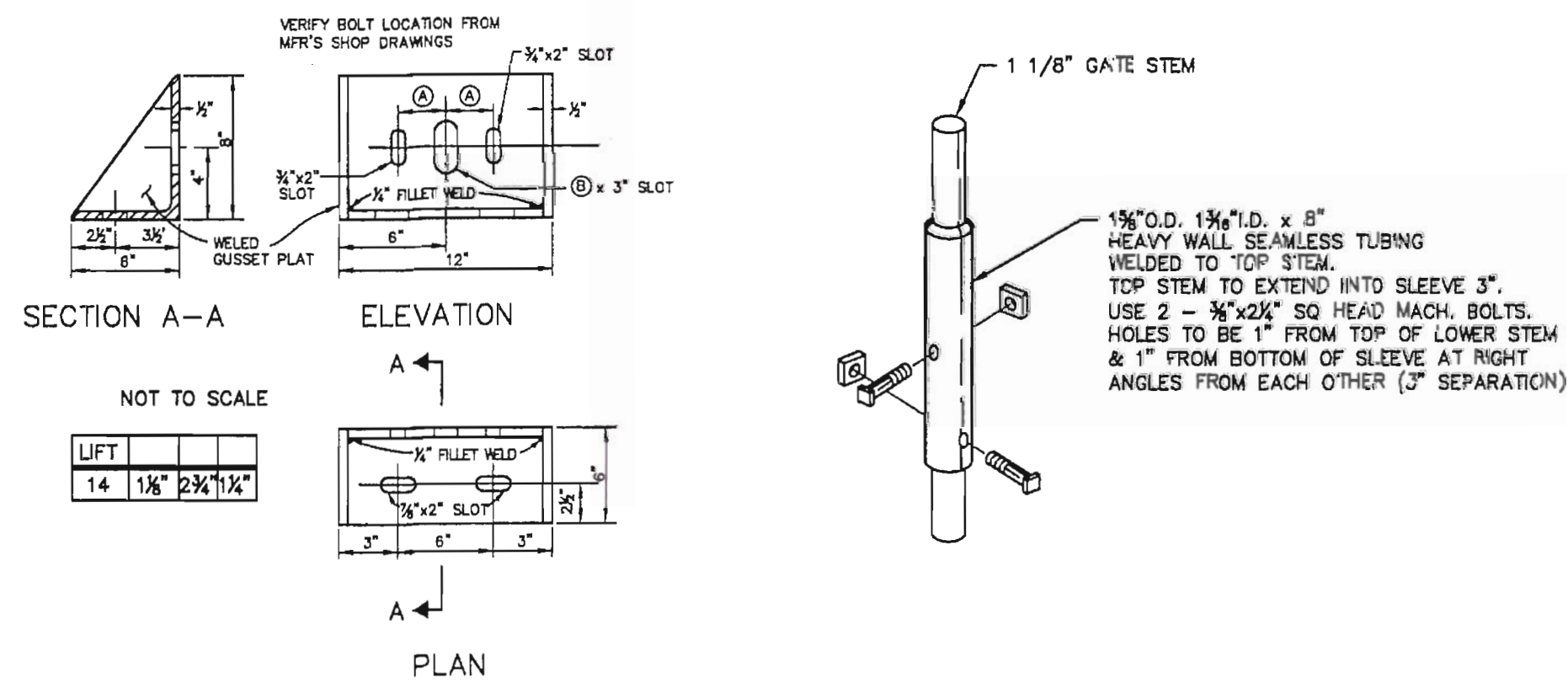
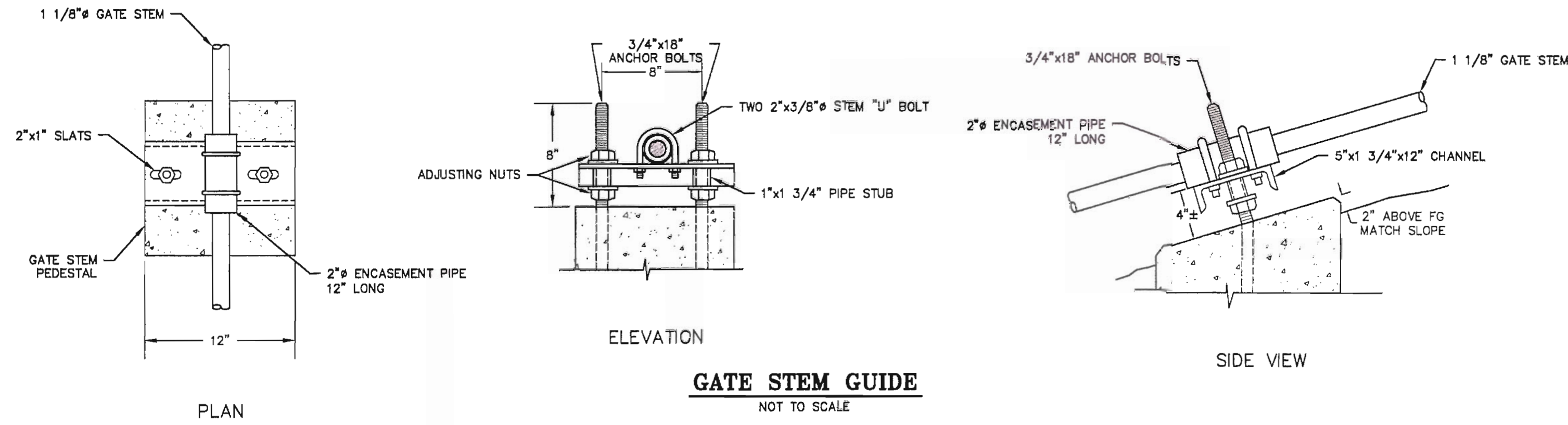
ASSUMED DATUM

		<b>Yamhill Farm Dam</b>	
		Carl Jensen Cove Orchard Rd YAMHILL COUNTY, OREGON	
Scale: AS SHOWN	Date: 12-17-2013	Revised:	
Design: CFB	Boatwright Engineering, Inc.	Job No. 13/28	
Drawn: CFB, PHD	2613 12th Street SE, SALEM, OREGON 97302	Sheet	
Chkd: CFB	TEL: (503) 363-9225 • FAX: (503) 363-1051		2 of 3

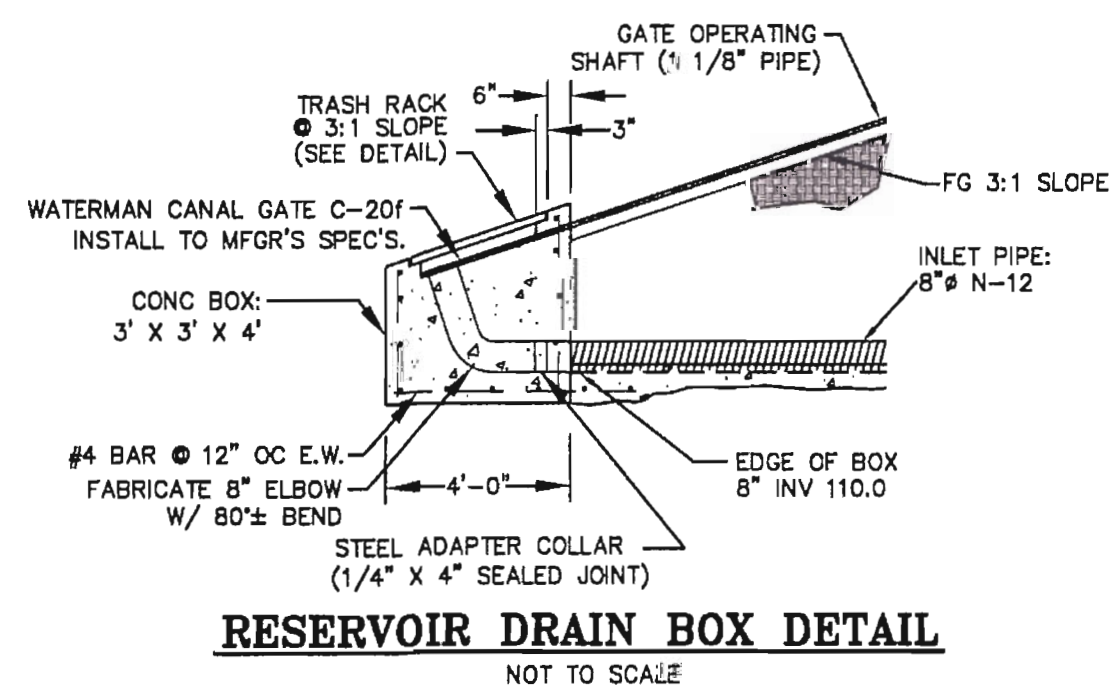
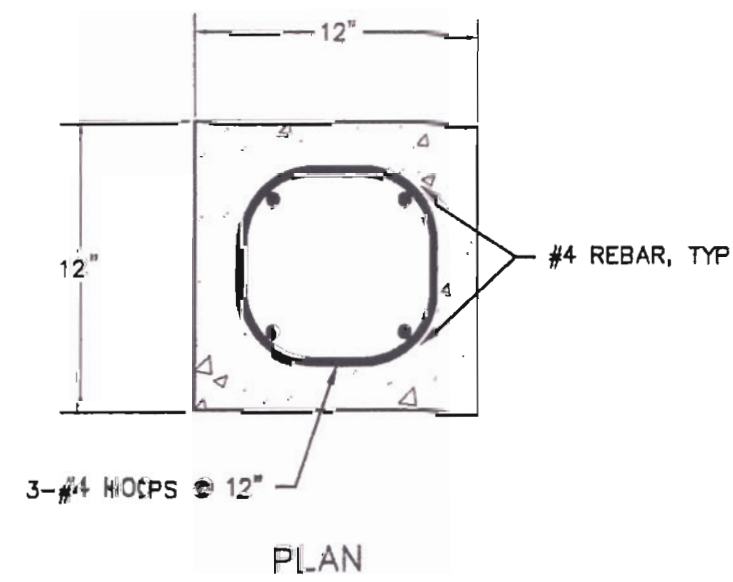
**RECEIVED**  
JAN 09 2014  
WATER RESOURCES DEPT  
SALEM, OREGON



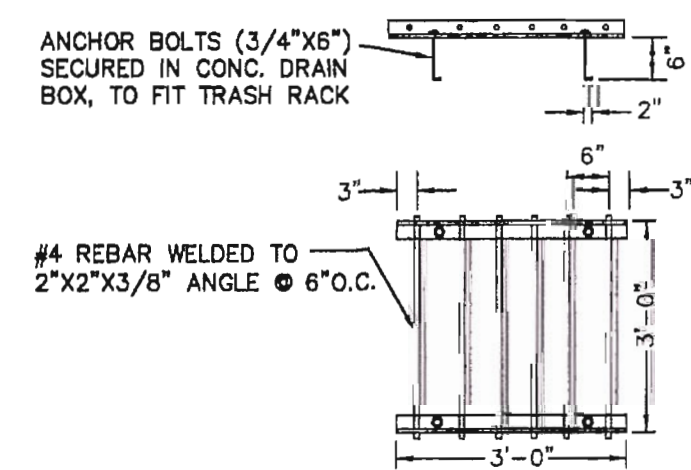
J:\jensen\com\08m.dwg



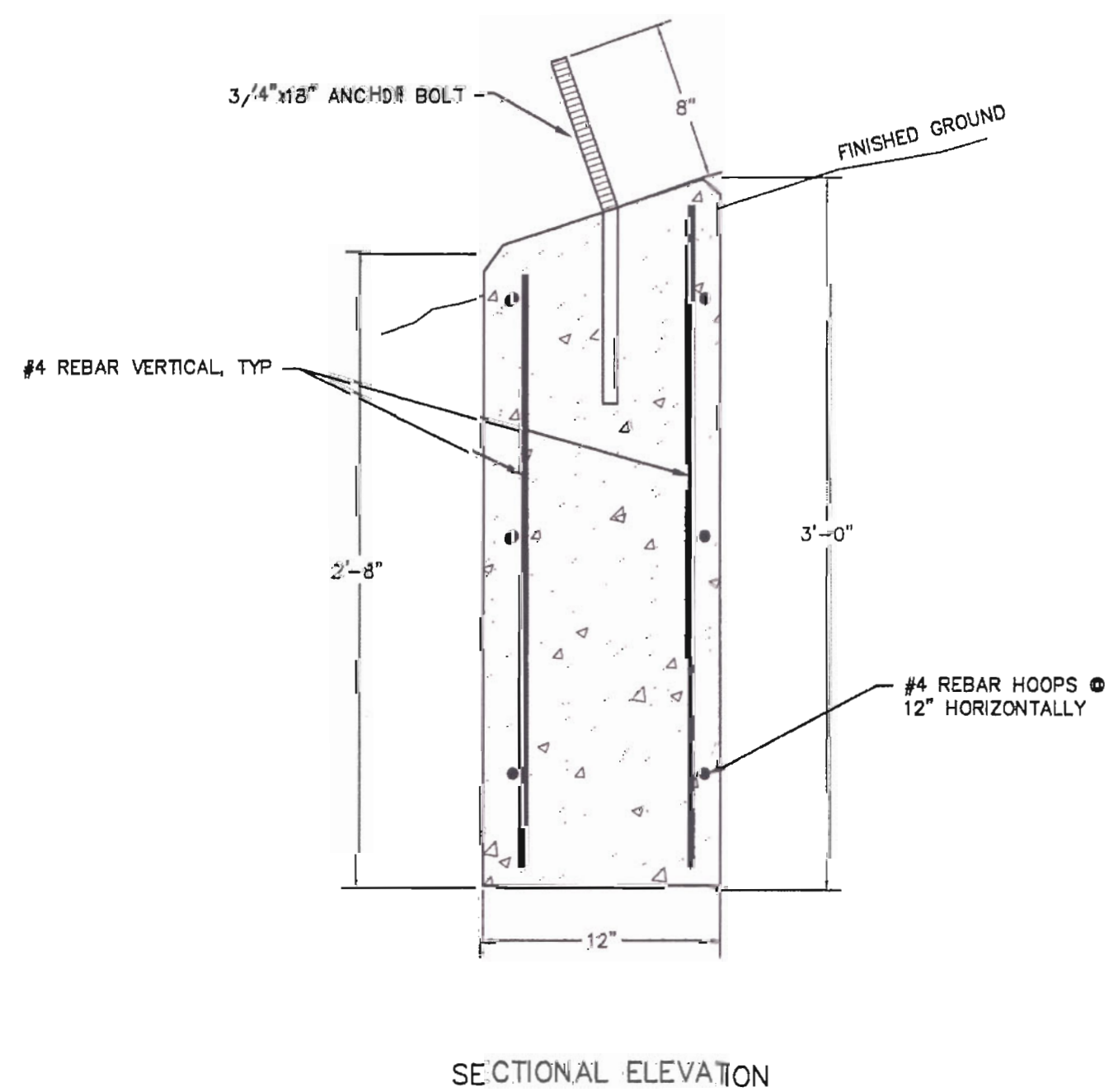
**GATE STEM SPLICE DETAIL**  
NOT TO SCALE



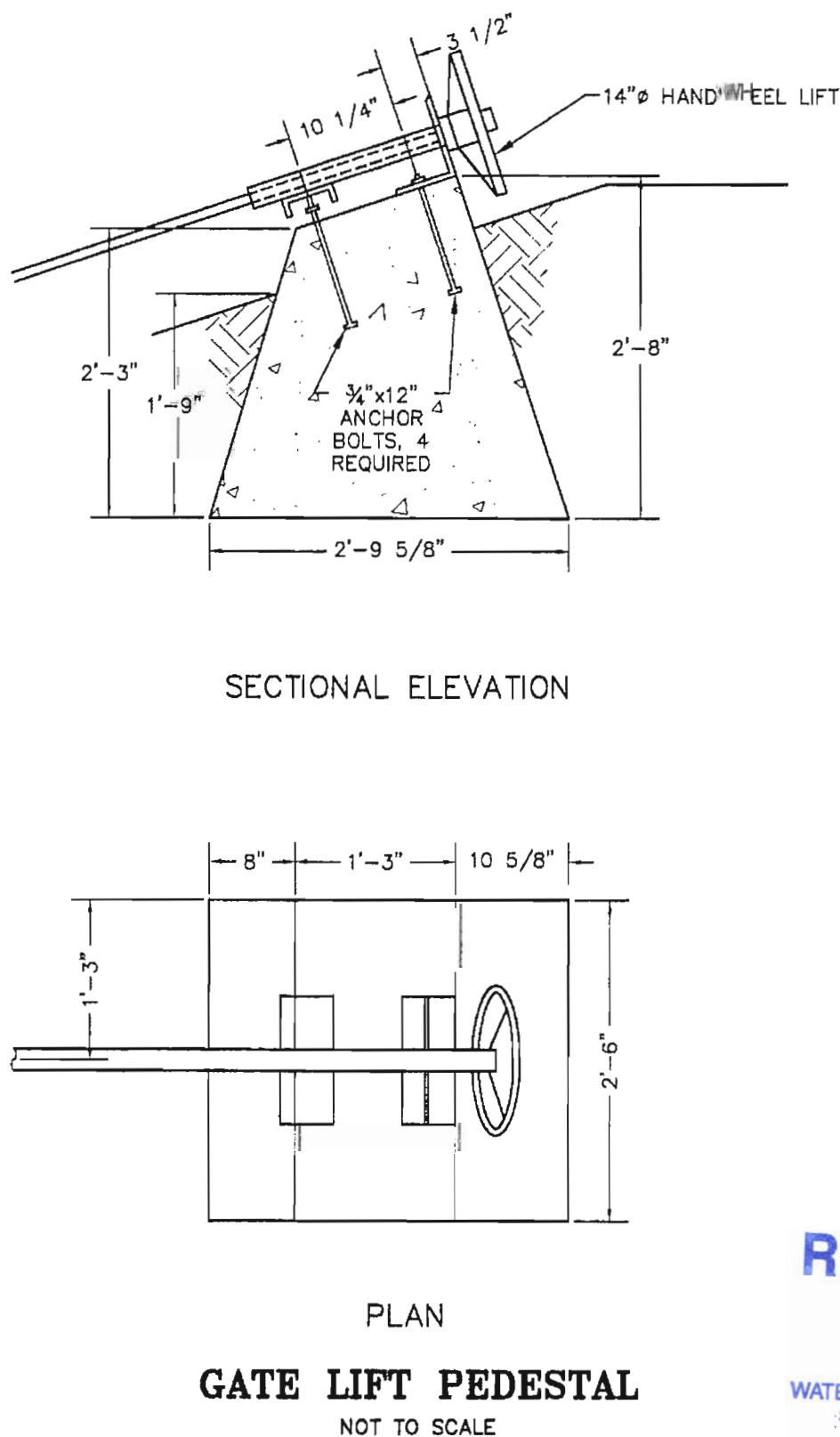
**RESERVOIR DRAIN BOX DETAIL**  
NOT TO SCALE



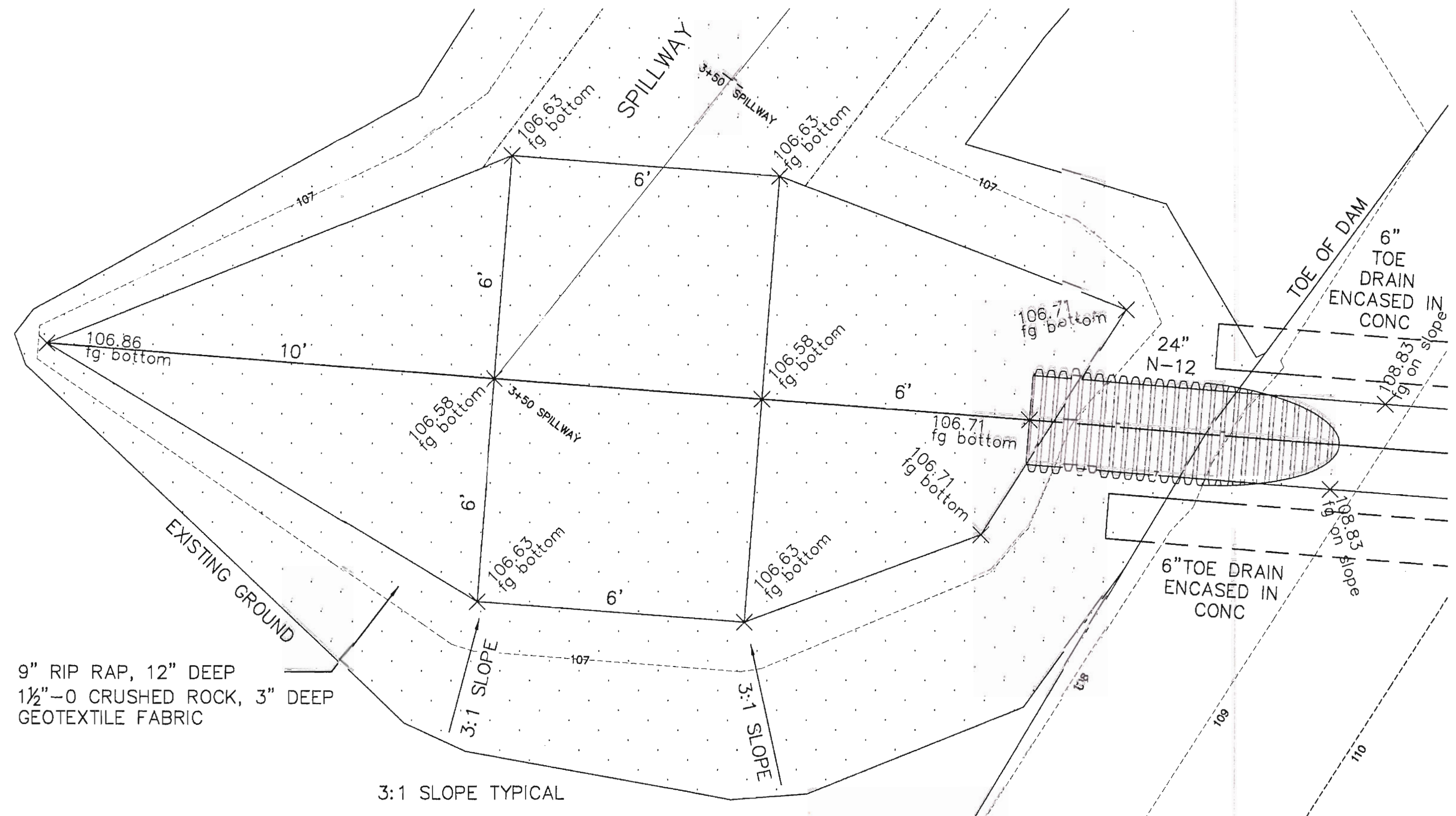
**DRAIN BOX TRASH RACK DETAIL**  
NOT TO SCALE



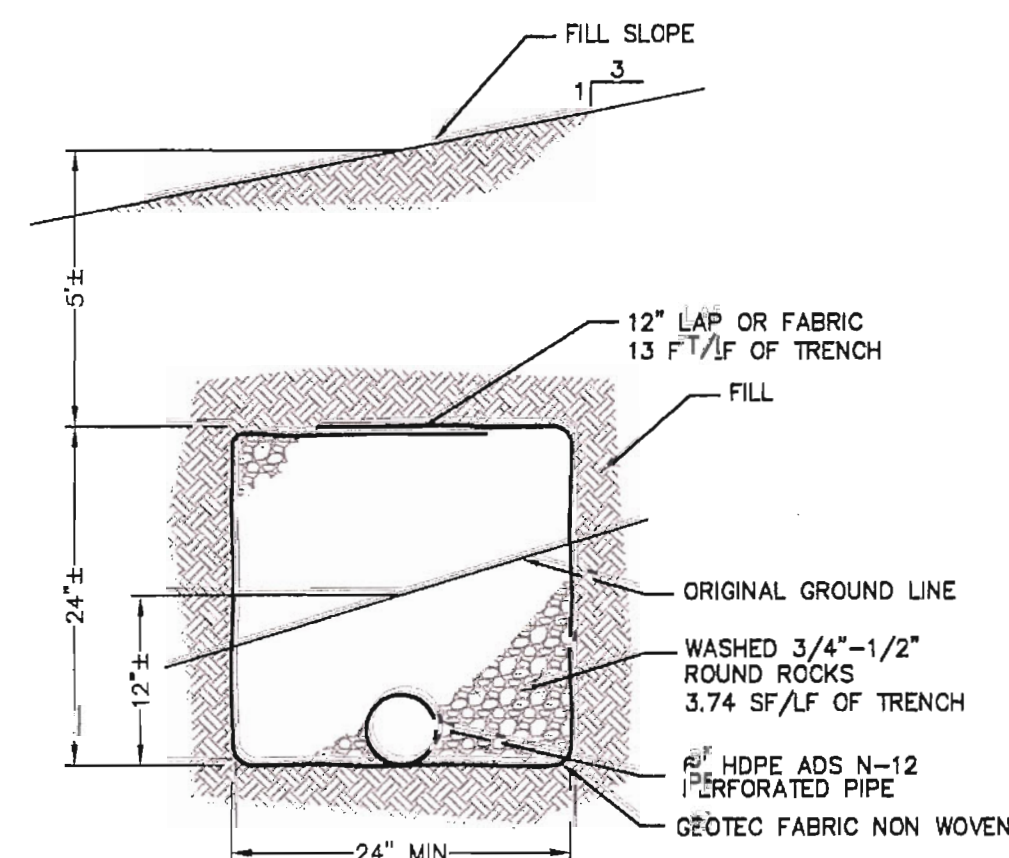
**GATE STEM PEDESTAL @ 10' MAX O.C.**  
NOT TO SCALE



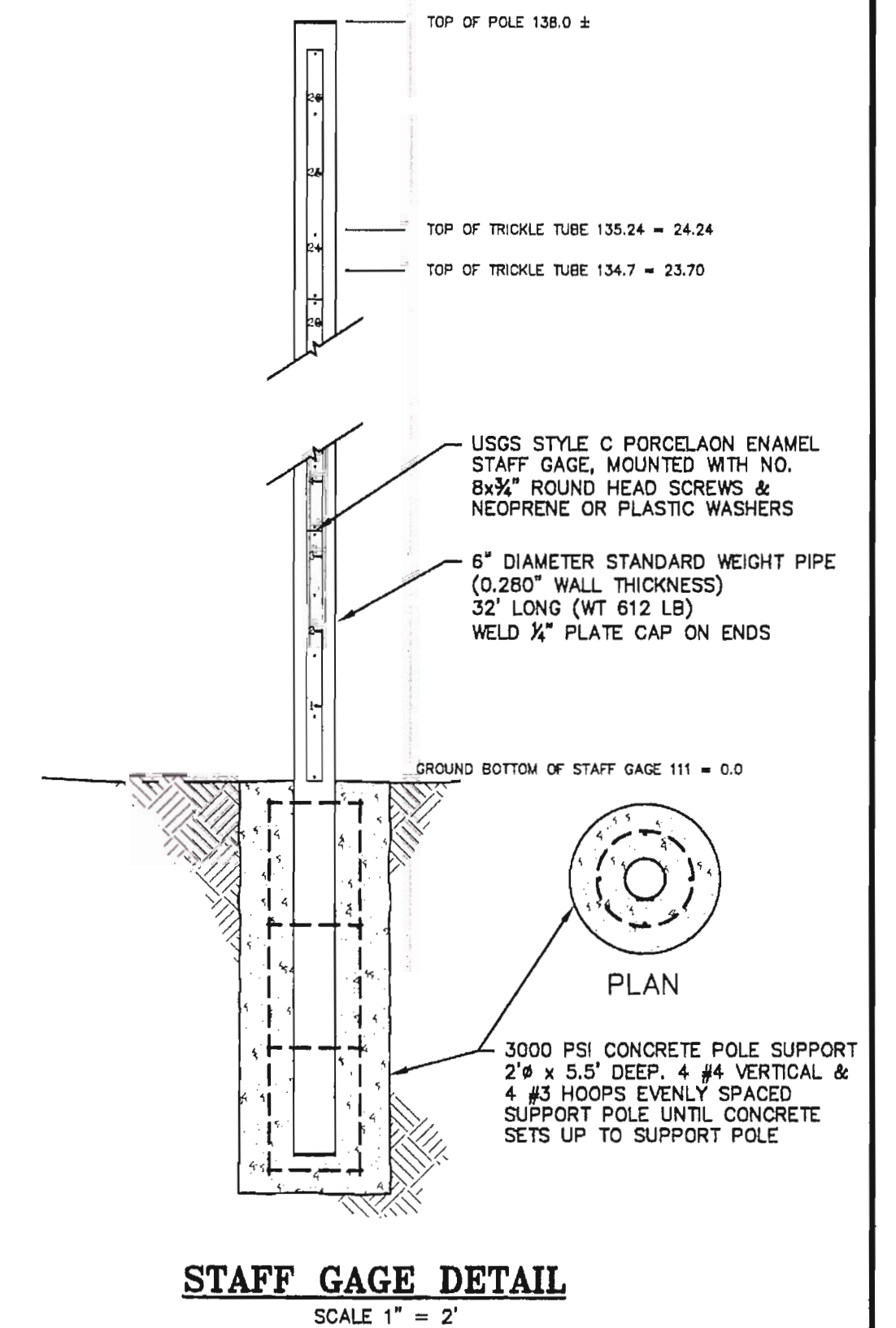
**GATE LIFT PEDESTAL**  
NOT TO SCALE



**SPILLWAY-DRAIN OUTLET BASIN DETAIL**  
SCALE 1" = 20'



**TOE DRAIN DETAIL**  
NOT TO SCALE



**STAFF GAGE DETAIL**  
SCALE 1" = 2'

NOTE: 3  
 • CONTRACTOR TO VERIFY FIELD INFORMATION PRIOR TO CONSTRUCTION.  
 • CONCRETE Fc SHALL BE 3000 PSI.

**RECEIVED**  
 JAN 09 2014  
 WATER RESOURCES DEPT  
 SALEM, OREGON

	<b>Yamhill Farm Dam</b>			
	Carl Jensen Cove Orchard Rd YAMHILL COUNTY, OREGON			
	Scale: 1" = 100'	Date: 01-06-2014		Revised:
	Design: CFB	Drawn: CFB, PHD		Job No. 13/28 Sheet
Boatwright Engineering, Inc. 2613 12th Street SE, SALEM, OREGON 97302 TEL: (503) 363-9225 • FAX: (503) 363-1051		Chkd: CFB EXPIRES 12/31/15	3 of 3	