

AUG 18 2014

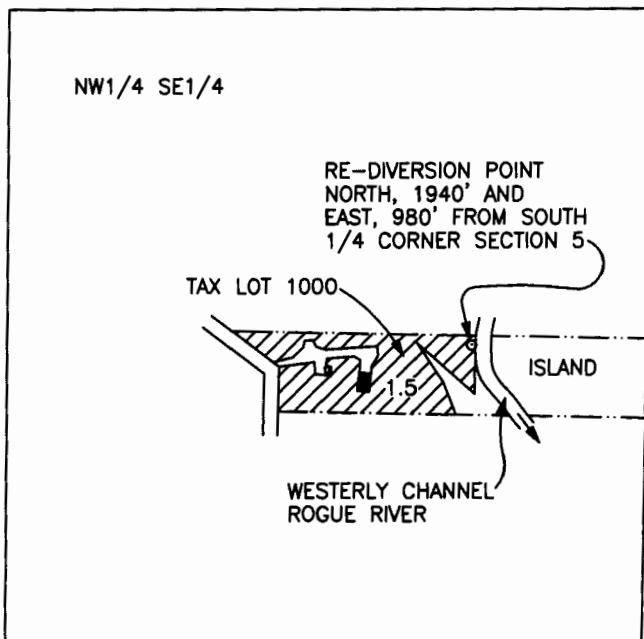
T.35S.,R.1W.,W.M.
Jackson County, Oregon
Tax Lot No. 351W 05 - 1000
ROGUE RIVER BASIN

SALEM, OR



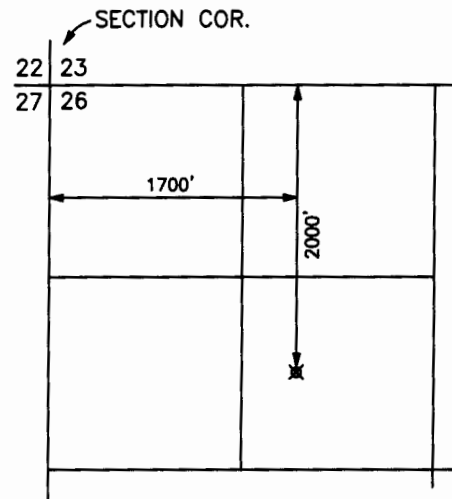
SCALE 1" = 400'

NOTE: MAP PREPARED FOR
WATER RIGHT PURPOSES ONLY,
NOT FOR PROPERTY BOUNDARY
LOCATIONS.



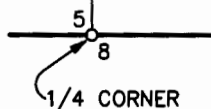
= AREA REQUESTING LOST
CREEK RESERVOIR WATER,
RESERVOIR CONSTRUCTED
UNDER PERMIT No. R-8142

SW1/4 SE1/4
GOV'T LOT 4



LOST CREEK RESERVOIR
POINT OF DIVERSION
T.33S.,R.1E.,W.M.
SCALE 1" = 1320'

MAP TO ACCOMPANY AN APPLICATION
FOR A PERMIT TO USE SURFACE
WATER, LOST CREEK RESERVOIR WATER,
A TRIBUTARY OF THE ROGUE RIVER

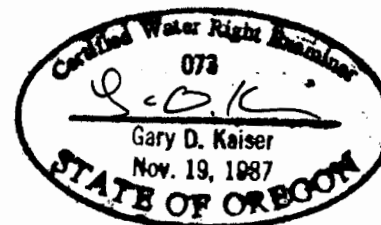


PREPARED FOR:
TONY AND KAREN POLAK
19742 PROVIDENCE LANE
HUNTINGTON BEACH, CA. 92646

PREPARED BY:
GARY D. KAISER, CWRE #73
19440 HWY. 62
EAGLE POINT, OR. 97524

JULY 28, 2014

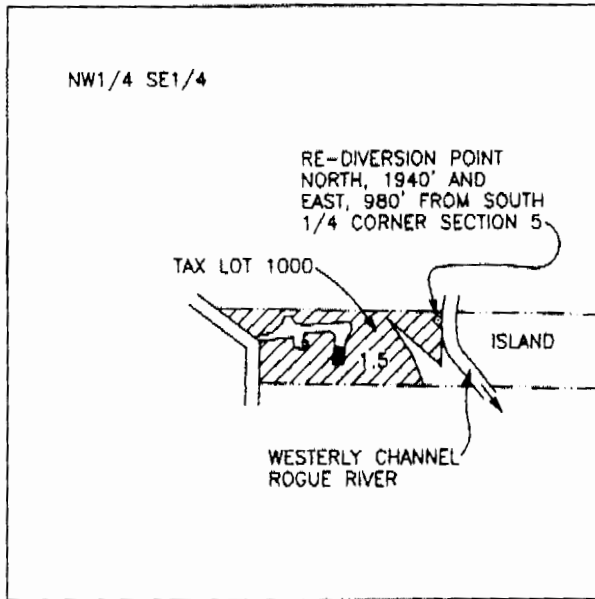
S-Beard



T.35S.,R.1W.,W.M.
Jackson County, Oregon
Tax Lot No. 351W 05 - 1000
ROGUE RIVER BASIN



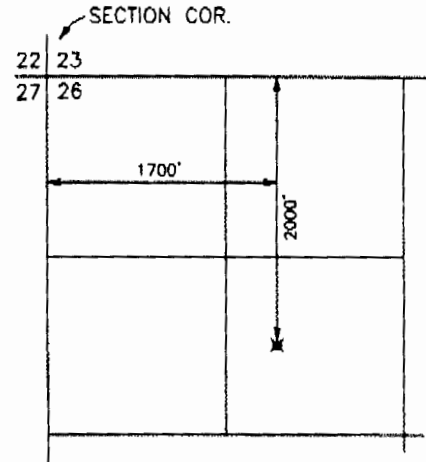
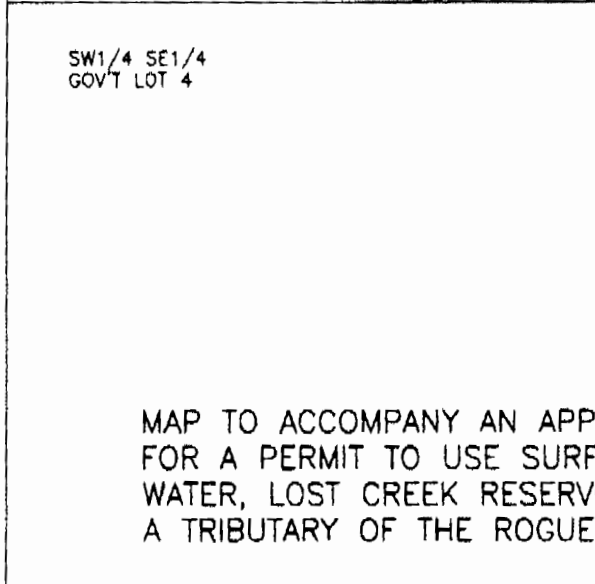
SCALE 1" = 400'



NOTE: MAP PREPARED FOR WATER RIGHT PURPOSES ONLY, NOT FOR PROPERTY BOUNDARY LOCATIONS.



= AREA REQUESTING LOST CREEK RESERVOIR WATER, RESERVOIR CONSTRUCTED UNDER PERMIT No. R-8142



LOST CREEK RESERVOIR
POINT OF DIVERSION
T.33S.,R.1E.,W.M.
SCALE 1" = 1320'

MAP TO ACCOMPANY AN APPLICATION FOR A PERMIT TO USE SURFACE WATER, LOST CREEK RESERVOIR WATER, A TRIBUTARY OF THE ROGUE RIVER

PREPARED FOR:
TONY AND KAREN POLAK
19742 PROVIDENCE LANE
MUNTINGTON BEACH, CA. 92646

PREPARED BY:
GARY D. KAISER, CWRE #73
19440 HWY. 62
EAGLE POINT, OR. 97524

JULY 28, 2014

RECEIVED

JUL 19 2014

WATER RESOURCES DEPT
SALEM, OREGON

2-88005

