

RECEIVED

NOV 28 1994

34 4W 32

WATER RESOURCES DEPT.  
SALEM, OREGON

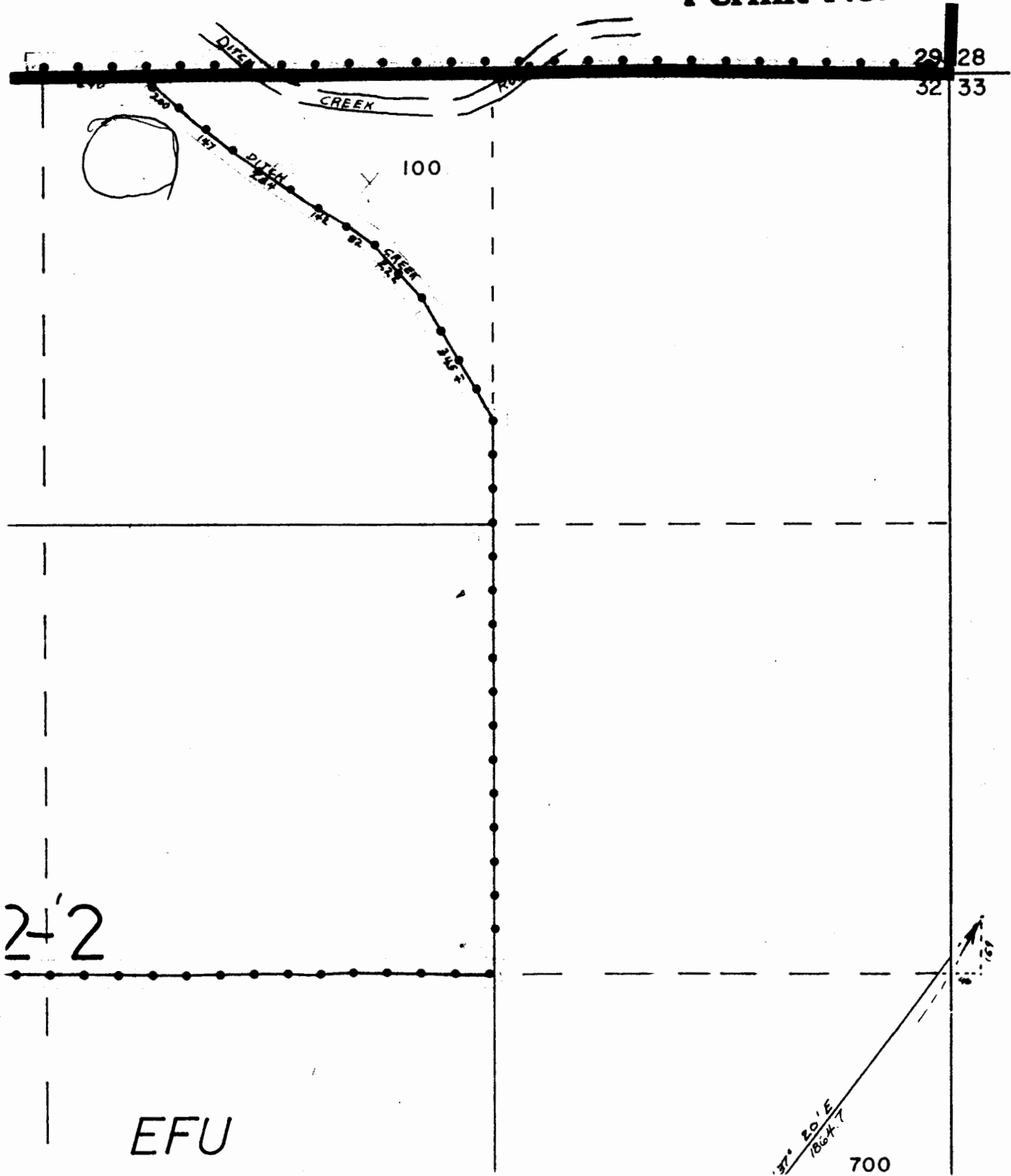
Application No  
Permit No.

P-79003

T34S R4W WM

1" = 400'

4W 29



34 4W 33

EFU

37° 20' E  
1864.7

700

