

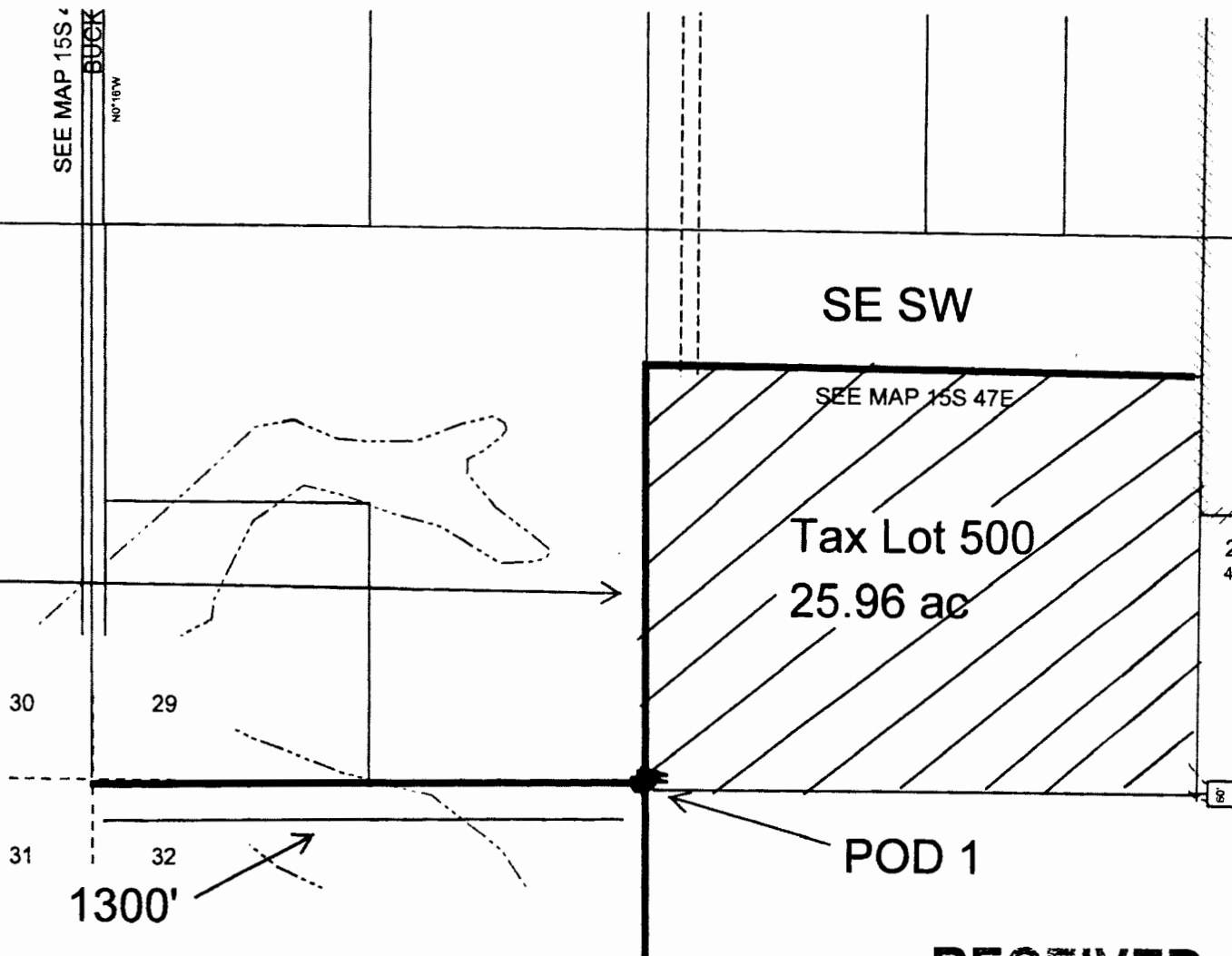
1788-J



1" = 400'

15 S, 47 E, Section 29

unnamed
drain
ditches



RECEIVED

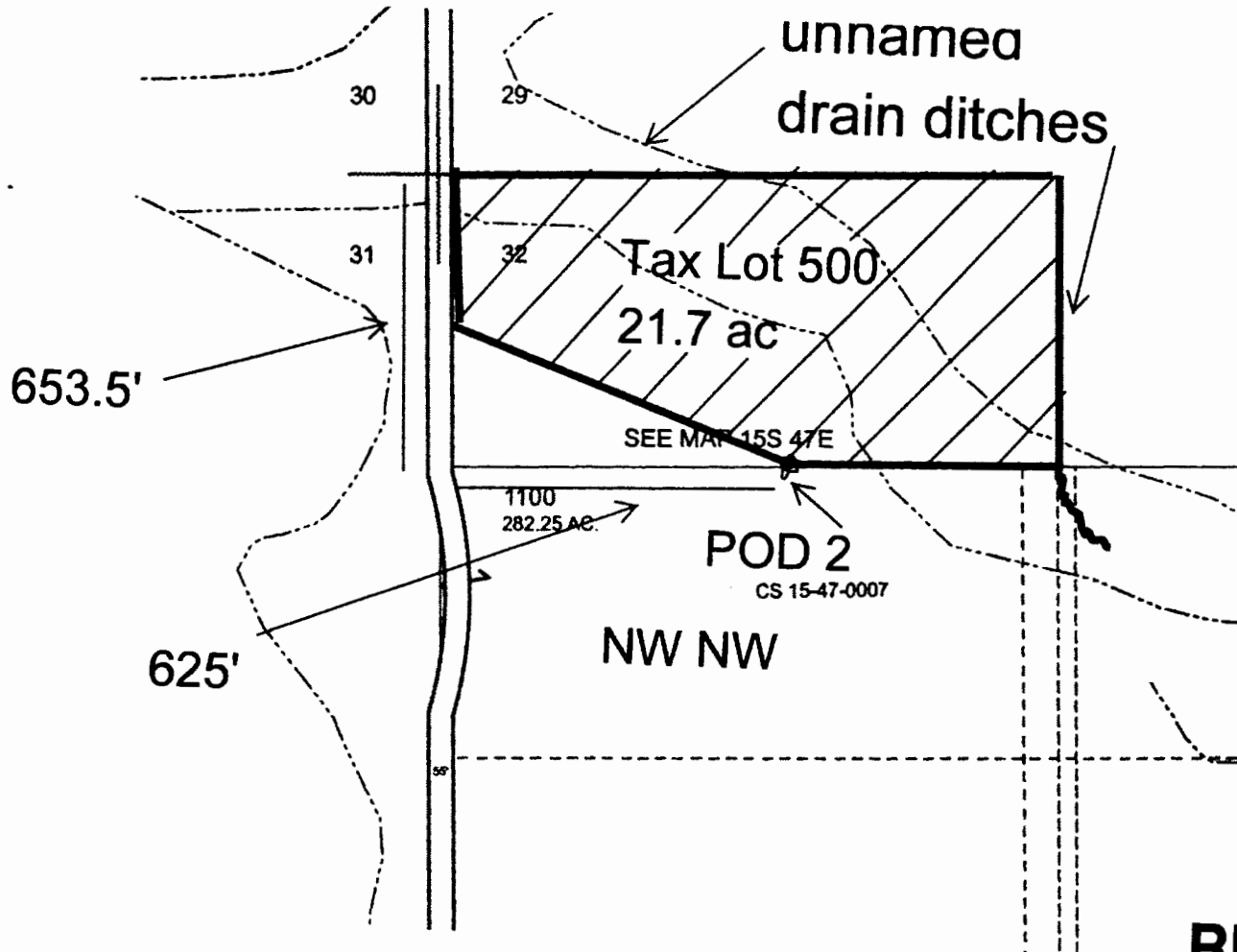
APR 18 2016

WATER RESOURCES DEPT
SALEM OREGON

15 S, 47 E Section 32



1" = 400'

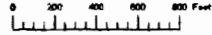


RECEIVED

APR 18 2016

WATER RESOURCES DEPT
SALEM, OREGON

THIS MAP WAS PREPARED FOR ASSESSMENT PURPOSE ONLY

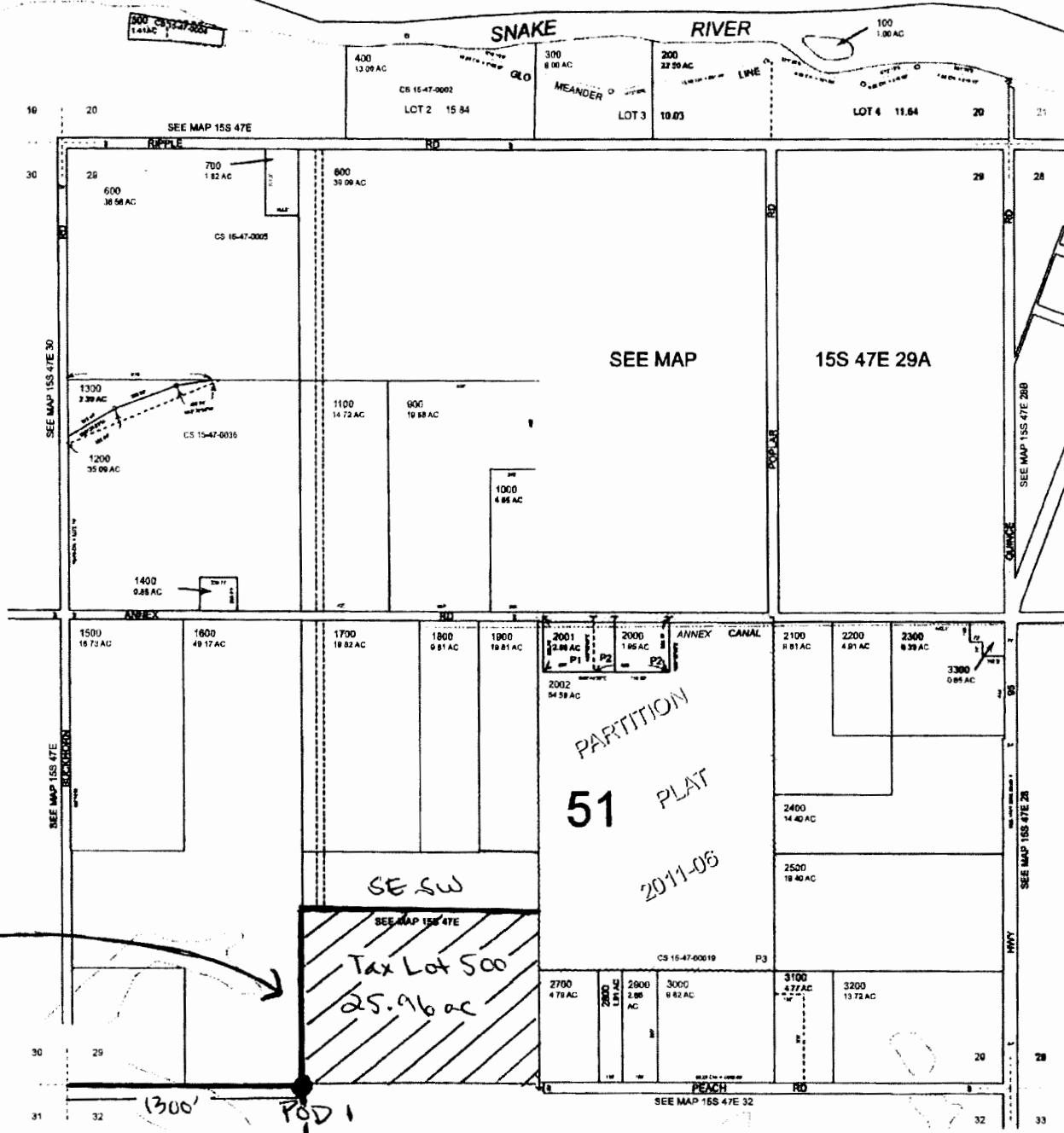


SECTION 29 T.15S. R.47E. W.M.
MALHEUR COUNTY
IDAHO
1" = 400'

NT

15S47E29
& INDEX

Cancelled
2800



RECEIVED BY OWRD

APR 11 2016

SALEM, OR

unnamed
drain
ditches

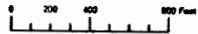
1300'
POD 1

1788-5

Revised: MA
10/22/2014

& INDEX
15S47E29

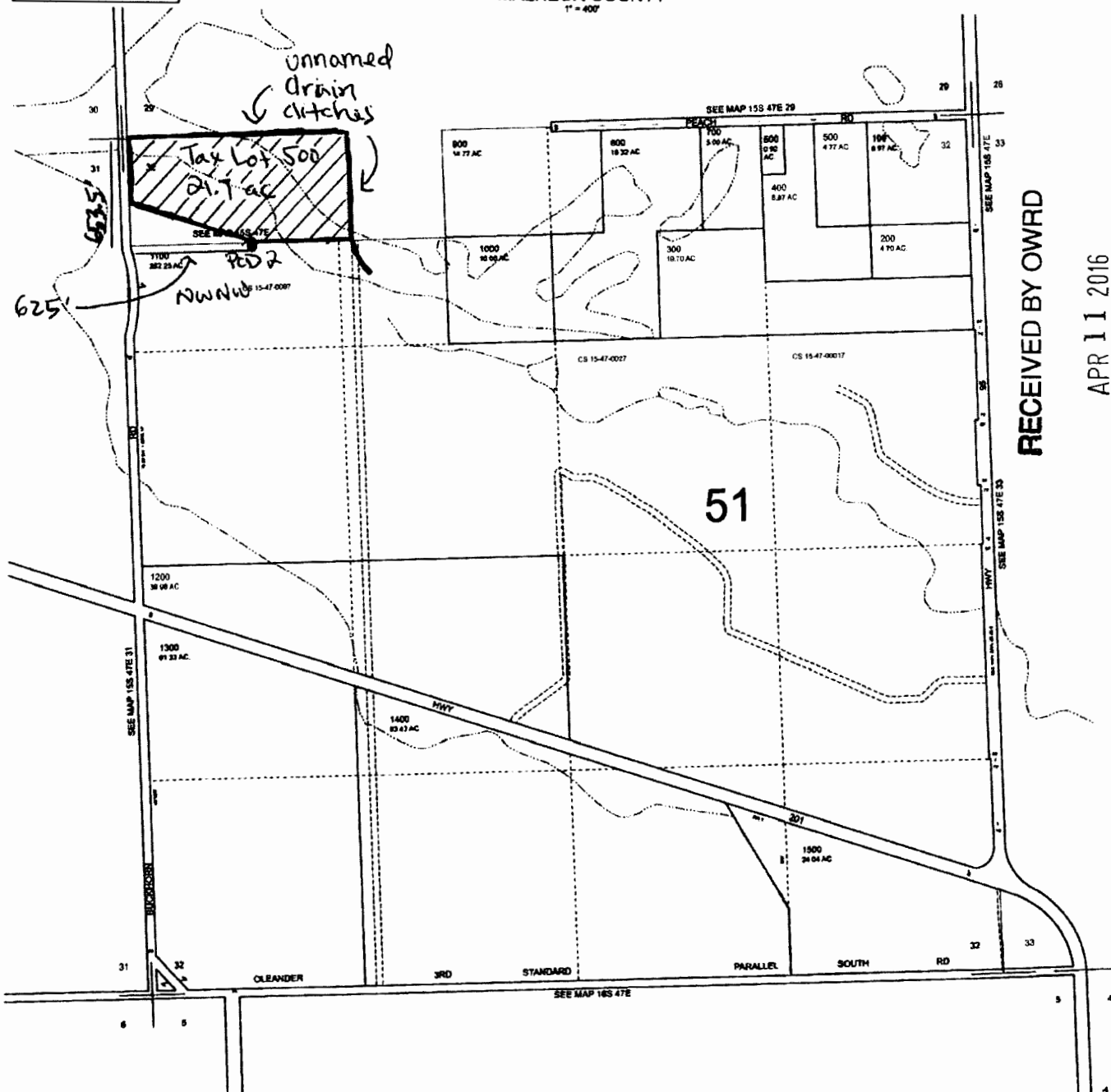
THIS MAP WAS PREPARED FOR
ASSESSMENT PURPOSE ONLY



SECTION 32 T.15S. R.47E. W.M.
MALHEUR COUNTY
1" = 400'

15S 47E 32

NT ↑



RECEIVED BY OWRD

APR 11 2016

SALEM, OR

S-000211